

NEW

AI Box PC

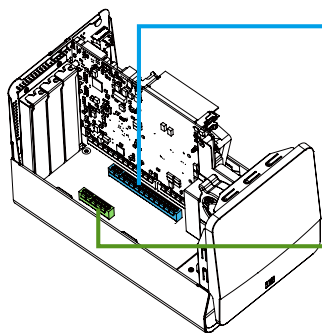
HTB-210-Q470 | 10th Gen Intel® Core™ processor

Features

- 10th Gen Intel® Core™ processor platform with Intel® Q470 chipset
- PCIe x4 slot supports capture cards or other applications
- Compact edge device with great computing & graphics performance
- PCIe x16 slot supports NVIDIA GPU acceleration card
- Two 260-pin 2666/2133MHz Dual-Channel DDR4 SODIMM unbuffered Memory supported up to 128GB



» Dual PCIe Slots



PCle x16

Accelerator cards are crucial to data scientists. High compatibility for the GPU cards such as NVIDIA P4/T4/Quadro series allows the end user to choose accelerator cards based on their different needs.

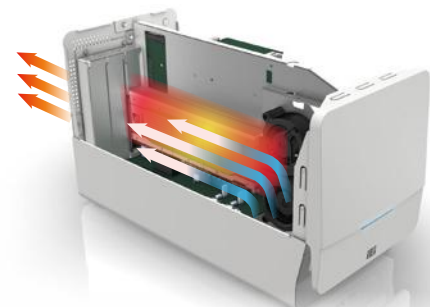
PCle x4

The redundant PCIe x4 slot is reserved for all-in-one video capture cards or other expansions.

» Unique Thermal Solution

The accessible hard drive enables IT technicians to do the maintenance work more easily. The drive bay is located in the bottom of the HTB-210 and accepts 2.5" SSD or HDD. The IT technician can easily check or replace the storage device by removing four cover screws.

Catering to NVIDIA® Tesla T4 passive heat sink design, IEI adopts blower-ventilation solution that not only creates a strong air flow but also minimizes the noise made by fan system.



» Easy Maintenance

The accessible hard drive enables IT technicians to do the maintenance work more easily. The drive bay is located in the bottom of the HTB-210 and accepts 2.5" SSD or HDD. The IT technician can easily check or replace the storage device by removing four cover screws.



Specifications

Model		HTB-210-Q470
Chassis	Color	White
	Dimension (LxWxH)	140 x 306.7 x 171 mm
	Thermal	Smart Fan
	Chassis Construction	Metal Housing (SECC)
Motherboard	CPU	Intel® Core™ i5-10500TE (6-core, 35W TDP) Intel® Core™ i7-10700TE (8-core, 35W TDP)
	Chipset	Intel® Q470
	System Memory	2 x 260-pin 2666/2133MHz dual-channel DDR4 SO-DIMM ECC & non-ECC unbuffered (system max. 128GB)
Storage	Hard Drive	1 x 2.5" SATA HDD/SSD bay
I/O Interfaces	USB	1 x USB Type-C (5Gbps, w/o ALT mode) 2 x USB 3.2 Gen 1 (5Gb/s) 2 x USB 2.0 (front side)
	Ethernet	2 x Intel® I225-V PCIe controller (2.5GbE)
	COM port	1 x RS-232/422/485
	Display	1 x HDMI
	Resolution	HDMI: up to 4096 x 2304 @30Hz
	Others	1 x Power button 1 x AT/ATX switch
	Expansions	PCIe
M.2		1 x M.2 2230 A key (PCIe x2 and USB 2.0) 1 x M.2 2280 M key (PCIe x4 and SATA)
Power	Power Input	19V DC
	Power Consumption	19V @4.8A
	Power Adapter	100V – 240V AC input, 19V DC output, 180W
Reliability	Operating Temperature	0°C – 40°C
	Operating Humidity	10% – 95% (non-condensing)
	Storage Temperature	-20°C – 60°C
	Operating Shock	Half-sine wave shock 5G, 11ms, 100 shocks per axis
	Operation Vibration	MIL-STD-810G 514.6C-1 (with SSD)
	Weight (Net)	2.8 kg
Certification	Safety / EMC	UL/ cUL FCC Part15B EN 62368-1 Ed.2 + RMF EN 55032 + EN 55035
OS	Supported OS	Windows 11, Windows 10, Linux

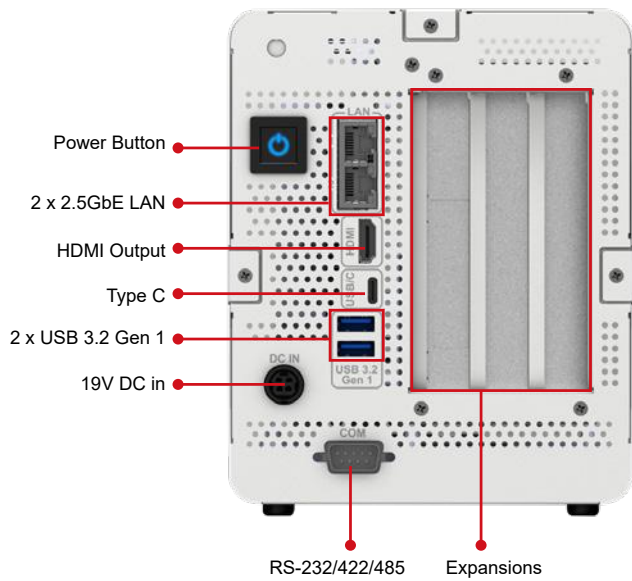
Ordering Information

Part No.	Description
HTB-210-Q470/2A-R11	Embedded system w/o CPU, w/o RAM, one PCIe x16 slot, one PCIe x4 slot, 19V DC 180W power adapter, white, for ATO only, R11
24133-02023012-01-RS	Intel® Core™ i5-10500TE (6-core, 35W TDP)
24133-03020016-01-RS	Intel® Core™ i7-10700TE (8-core, 35W TDP)
19FHTB210-000001-RS	Fan module for NVIDIA Tesla T4, CCL, RoHS

Packing List

Item	Part No.	Q'ty	Remark
Power Adapter	63040-010180-200-RS	1	180W power adapter Input: 100V – 240V AC; Output: 19V DC
Power Cord	32702-000200-100-RS	1	European power cord, 180 cm, C13
HDD Screws	44043-030041-RS	4	Machine screw; I head; M3x4

I/O Interface



HTB-210-Q470 Dimensions

(Unit: mm)

