



NS-208



NSM-108

Unmanaged 8-Port Industrial 10/100 Base-TX Ethernet Switch

Features

- Automatic MDI/MDI-X crossover for plug-and-play
- Store-and-forward architecture
- Full duplex IEEE 802.3x and half duplex backpressure flow control
- Supports +12 VDC ~ +48 VDC power input
- Each port supports both 10/100 Mbps speed auto negotiation



Introduction

The NS-208/NSM-108 has 8 Ethernet ports that support 10/100 Base-TX, with a 10/100M auto negotiation feature and auto MDI/MDI-X function.

All Ethernet ports have memory buffers that support the store-and-forward mechanism, which assures that data can be transmitted properly. The NS-208/NSM-108 supports advanced network standards to optimize network performance, reduce maintenance costs, and secure network safety.

The flow control mechanism is also negotiated. There is link/data rate LEDs for each port to aid troubleshooting. Port connectors are shielded RJ-45.

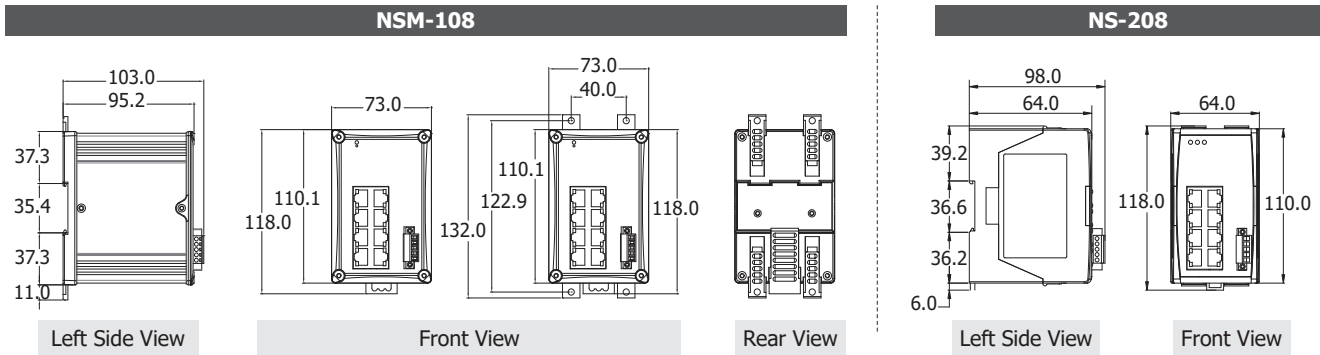
Specifications

Model	NS-208	NSM-108
LED Indicators		
Status	Power, Link/Act, 10/100M	
Ethernet		
Ports	8 x RJ-45, 10/100 Base-TX	
Standards	IEEE 802.3, 802.3u, 802.3x	
Processing Type	Store & forward	
MAC Table	2048	
Frame Buffer Memory	1 Mbit	
Flow Control	IEEE 802.3x flow control, back pressure flow control	
Isolation	1500 Vrms 1 minute	
Power		
Reverse Polarity Protection	Yes	
Input Range	+12 ~ +48 VDC (Non-isolated)	
Consumption	0.15 A @ 24 VDC	
Mechanical		
Casing	Plastic	Metal
Dimensions (mm)	64 x 118 x 98 (W x L x H)	DIN-rail mounting: 73 x 118 x 103 (W x L x H) Wall mounting: 73 x 132 x 103 (W x L x H)
Installation	DIN-Rail Mounting	DIN-rail mounting or wall mounting
Environment		
Operating Temperature	-40 °C ~ +75 °C	
Storage Temperature	-40 °C ~ +85 °C	
Humidity	10% ~ 90% RH, non-condensing	

Comparison Table of 8-port 10/100 Mbps Ethernet Switch

Mode Name	NS-208	NSM-108	NS-208A	NSM-208A	NS-208R
Input Voltage Range	+12 VDC ~ +48 VDC				
Casing	Plastic	Metal	Plastic	Metal	Plastic
Installation	DIN-Rail Mounting	DIN-Rail Mounting or Wall Mounting	DIN-Rail Mounting		
Dimensions (W x L x H) (Unit: mm)	64 x 118 x 98	73 x 132 x 103	31 x 157 x 113	25 x 168 x 119	64 x 118 x 98
Remarks	-		Cost-effective		EN50155-certified

Dimensions (Units: mm)



Ordering Information

NS-208 CR	Unmanaged 8-Port Industrial 10/100 Base-TX Ethernet Switch with Power Input +10 VDC ~ +30 VDC (RoHS)
NSM-108 CR	Unmanaged 8-Port Industrial 10/100 Base-TX Ethernet Switch with Power Input +10 VDC ~ +30 VDC, metal casing (RoHS)