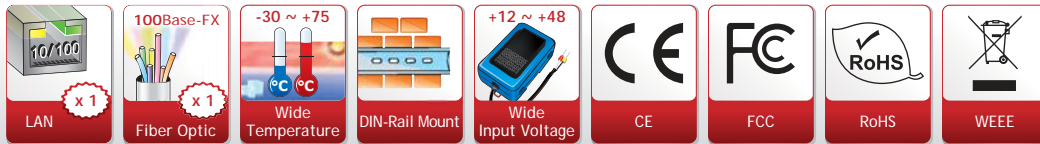


NS-200AFC-T/NS-200AFCS-T/NS-200AFCS-60T

NS-200AFT-T



### Features ▶▶▶

- Automatic MDI/MDI-X crossover for plug-and-play
- Supports both 10/100 Mbps speed auto negotiation
- Store-and-forward architecture
- Full duplex IEEE 802.3x and half duplex backpressure flow control
- 1.4 Gbps high performance memory bandwidth
- Frame buffer memory: 256 Kbit
- 1024 MAC addresses
- Supports +12 V<sub>DC</sub> ~ +48 V<sub>DC</sub> Reverse Polarity Protection
- Supports operating temperatures from -30 °C ~ +75 °C
- Slim packaging fits on your DIN-Rail Mounting

### Introduction

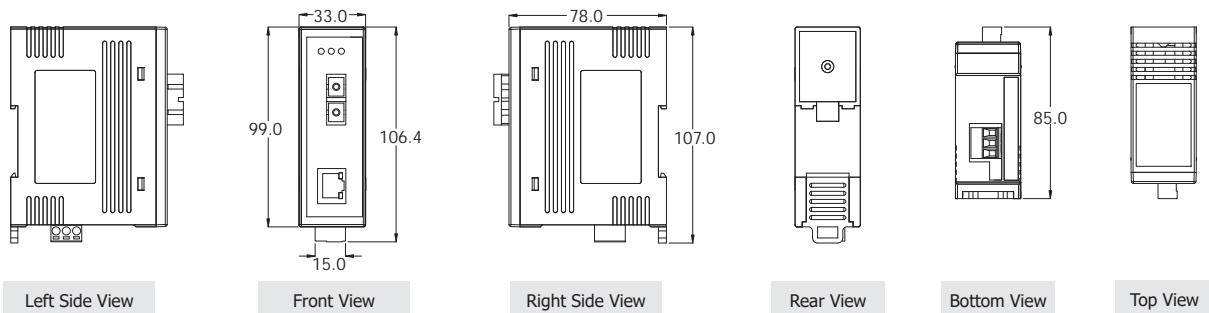
The NS-200AF series is a Ethernet (10/100 Base-TX) to Media (100 Base-FX) converter. The Ethernet supports 10/100M auto negotiation feature and auto MDI/MDI-X function. NS-200AF can work normally from -30 °C ~ +75 °C and accepts a wide voltage range from +12 V<sub>DC</sub> ~ +48 V<sub>DC</sub>.

### Specifications

Models	NS-200AFC-T	NS-200AFT-T	NS-200AFCS-T	NS-200AFCS-60T
<b>Technology</b>				
<b>Standards</b>	IEEE 802.3, 802.3u, 802.3x			
<b>Processing Type</b>	Store & forward, wire speed switching			
<b>MAC Addresses</b>	1024			
<b>Memory Bandwidth</b>	1.4 Gbps			
<b>Frame Buffer Memory</b>	256 Kbit			
<b>Flow Control</b>	IEEE 802.3x flow control, back pressure flow control			
<b>Interface</b>				
<b>RJ-45 Port</b>	10/100 Base-TX auto negotiation speed, F/H duplex mode, and auto MDI/MDI-X connection			
<b>Fiber Port</b>	100 Based-FX			
<b>LED Indicators</b>	10/100M, Link/Act, Full duplex/Half duplex (Fiber Port)			
<b>Ethernet Isolation</b>	1500 V <sub>rms</sub> 1 minute			

Models		NS-200AFC-T	NS-200AFT-T	NS-200AFCS-T	NS-200AFCS-60T
Multi-mode	Multi-mode Fiber Cables	50/125, 62.5/125 or 100/140 $\mu\text{m}$		-	
	Distance	2 km, (62.5/125 $\mu\text{m}$ recommended) for full duplex		-	
	Wavelength	1300 or 1310 nm		-	
	Min. TX Output	-20 dBm		-	
	Max. TX Output	-14 dBm		-	
	Max. RX Sensitivity	-32 dBm		-	
	Min. RX Overload	-8 dBm		-	
	Budget	12 dBm		-	
Single-mode	Single-mode Fiber Cables	-		8.3/125, 8.7/125, 9/125 or 10/125 $\mu\text{m}$	
	Distance	-		30 km	60 km
	Wavelength	-		1300 or 1310 nm	
	Min. TX Output	-		-15 dBm	-5 dBm
	Max. TX Output	-		-8 dBm	0 dBm
	Max. RX Sensitivity	-		-34 dBm	-35 dBm
	Min. RX Overload	-		-5 dBm	
	Budget	-		19 dBm	30 dBm
Ethernet Transmission Distance	Ethernet	2-pair UTP/STP Cat.3, 4, 5, EIA/TIA-568 100 $\Omega$			
	Fast Ethernet	2-pair UTP/STP Cat. 5, EIA/TIA-568 100 $\Omega$			
<b>Power</b>					
Input Voltage Range		+12 Vdc ~ +48 Vdc (Non-isolated)			
Power Consumption		0.12 A @ 24 Vdc			
LED Indicator		Yes			
Protection		Power reverse polarity protection			
Frame Ground for EMS Protection		Yes			
<b>Mechanical</b>					
Casing		Plastic (Flammability UL 94V-0)			
Dimensions (W x L x H)		33 mm x 85 mm x 107 mm			
Installation		DIN-Rail Mounting			
<b>Environmental</b>					
Operating Temperature		-30 $^{\circ}\text{C}$ ~ +75 $^{\circ}\text{C}$			
Storage Temperature		-30 $^{\circ}\text{C}$ ~ +85 $^{\circ}\text{C}$			
Ambient Relative Humidity		10% ~ 90% RH, non-condensing			

## Dimensions (Units: mm)



## Ordering Information

NS-200AFC-T CR	Industrial 10/100 Base-T to 100 Base-FX Media Converter; 1 Multi-mode, SC connector (RoHS)
NS-200AFT-T CR	Industrial 10/100 Base-T to 100 Base-FX Media Converter; 1 Multi-mode, ST connector (RoHS)
NS-200AFCS-T CR	Industrial 10/100 Base-T to 100 Base-FX Media Converter; 1 Single-mode, SC connector (RoHS)
NS-200AFCS-60T CR	Industrial 10/100 Base-T to 100 Base-FX Media Converter; 1 (60 km) Single-mode, SC connector (RoHS)

## Accessories

GPSU06U-6	24V/0.25A, 6 W Power Supply
DIN-KA52F	24V/1.04A, 25 W Power Supply with DIN-Rail Mounting