



NS-105PSE

NS-205PSE

5-port 10/100 Mbps PoE (PSE) Ethernet Switch

Features

- Automatic MDI/MDI-X crossover for plug-and-play
- Each port supports 10/100 and 1000 Mbps speed auto negotiation
- Full duplex IEEE 802.3x and half duplex backpressure flow control
- Supports +12 VDC ~ +48 VDC Redundant Input Range (NS-205AG)
- Store-and-forward architecture



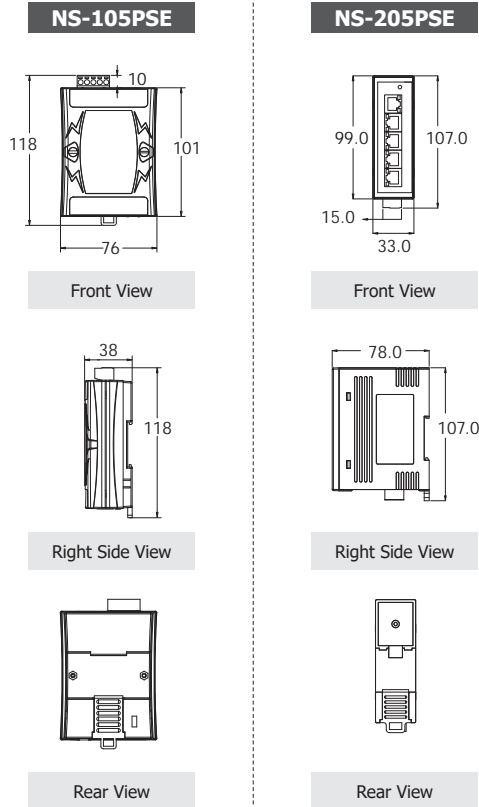
Introduction

The NS-105PSE/NS-205PSE is a 5-port unmanaged PoE (Power over Ethernet) Industrial Ethernet switch; it supports 4 PoE ports which are classified as power source equipment (PSE). The NS-105PSE/NS-205PSE makes centralized power supply come true and provides up to 15.4 watts of power per PSE port.

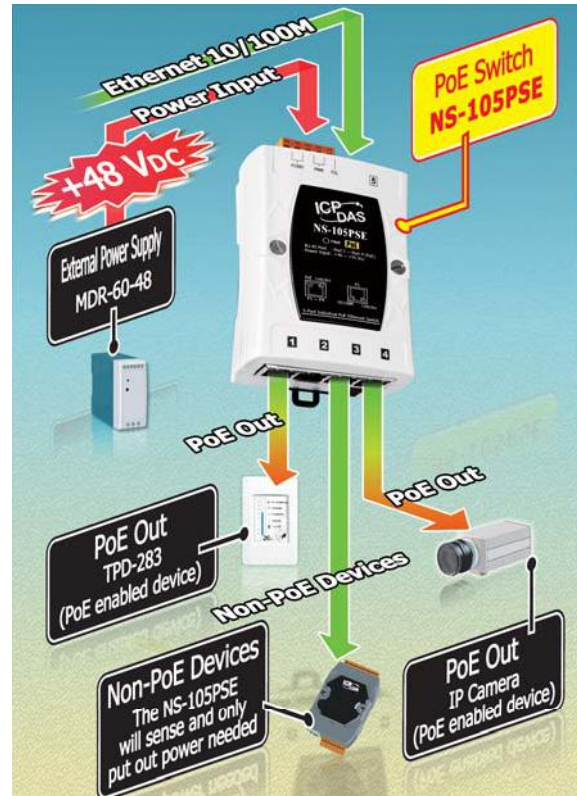
Specifications

Model	NS-105PSE	NS-205PSE
LED Indicators		
Status	Power, Link/Act, 10/100M, Power Device is detected	
Ethernet		
Ports	5 x RJ-45, 10/100/1000Base-T	5 x RJ-45, 10/100Base-TX
Standards	IEEE 802.3, 802.3u, 802.3x, 802.3af (Power over Ethernet)	
Processing Type	Store & forward; wire speed switching	
MAC Table	2048	
Frame Buffer Memory	768 Kbit	
Flow Control	IEEE 802.3x flow control, back pressure flow control	
Isolation	1500 Vrms 1 minute	
PoE Technology		
PoE Compliance	100% IEEE 802.3af compliant	
PoE Power	Up to 15.4 watts per channel	
PoE Operation	Automatic detection and power management	
PoE Pin Assignments	V+ (Pin 1, 2), V- (Pin 3, 6)	
PoE Disconnect Mode	DC disconnect	
PoE Voltage	+48 VDC depending on power input	
Power		
Reverse Polarity Protection	Yes	
Input Range	+46 VDC ~ +55 VDC	
Consumption	0.05 A @ 48 VDC without PD loading 1.45 A @ 48 VDC with PD full loading	
Mechanical		
Casing	Plastic	
Dimensions (mm)	76 x 118 x 38 (W x L x H)	33 x 107 x 78 (W x L x H)
Installation	DIN-Rail Mounting	
Environment		
Operating Temperature	-40 °C ~ +75 °C	
Storage Temperature	-40 °C ~ +85 °C	
Humidity	10% ~ 90% RH, non-condensing	

■ Dimensions (Units: mm)



■ Applications



■ Ordering Information

NS-105PSE CR	Unmanaged 5-port 10/100 Mbps PoE (PSE) Ethernet Switch (RoHS)
NS-205PSE CR	Unmanaged 5-port 10/100 Mbps PoE (PSE) Ethernet Switch (RoHS)

■ Accessories

MDR-60-48 CR	Power Supply, 85~264 VAC to 48 VDC/1.25 A, 60 W, DIN-rail mounting (RoHS)
---------------------	---