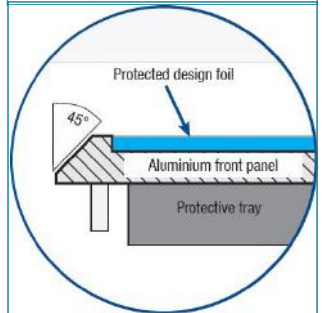


TKS-105c-MODUL and EP*



*EP-Version



PRODUCT FEATURES

- Panel mount version with reserve side threaded bolts
- Excellent tactile feedback
- Key relief printing
- Chemical, abrasion and scratch resistant frontsheet
- Resistant against dirt, dust and liquids (IP65)
- Frontplate alternatively with edge protection (EP)

TECHNICAL DATA

Number of keys:	105	Operating temperature:	-25 °C to +70 °C
Mounting type:	front panel with threaded bolts	Storage temperature:	-25 °C to +80 °C
Front panel material:	aluminium	Dimensions:	482,6 x 177,8 x 23 mm
Keyswitch technology:	short travel keys	Dimensions (with EP):	482,6 x 177,8 x 23.1 mm
Switching cycles:	approx. 3 mill. (per key)	Compliance:	
Operating force:	2.6 N	-- Europe:	CE
Switch travel:	0.3 mm	-- Global:	REACH,
Protection level:	IP65 (frontside)		RohS self-declaration
Interfaces:	USB	Weight:	1200 g
USB compatibility:	complies with USB 2.0		

*As a special feature, the EP version offers a deep milled front panel with a peripheral edge for optimum protection of the foil edge.

Cat.No.	Product description	Interface	Layout
KS18272	TKS-105c-MODUL-USB-DE	USB	German
KS18273	TKS-105c-MODUL-USB-US	USB	US
KS18363	TKS-105c-MODUL-EP-USB-DE with Edge Protection	USB	German
KS18364	TKS-105c-MODUL-EP-USB-US with Edge Protection	USB	US

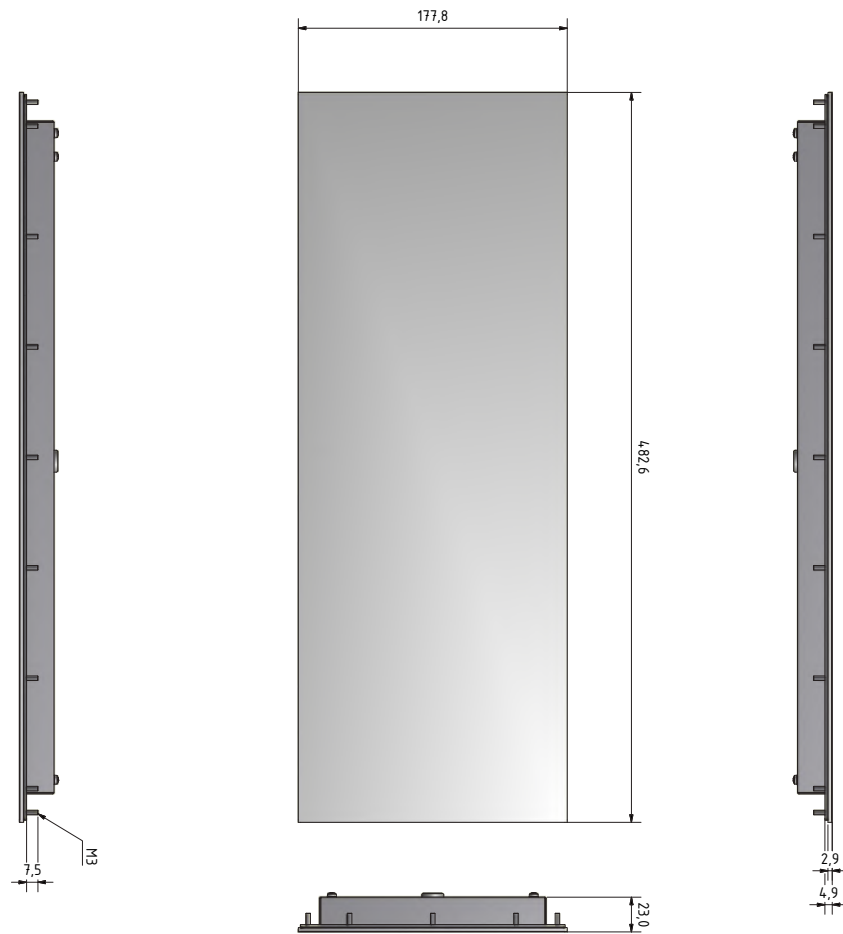
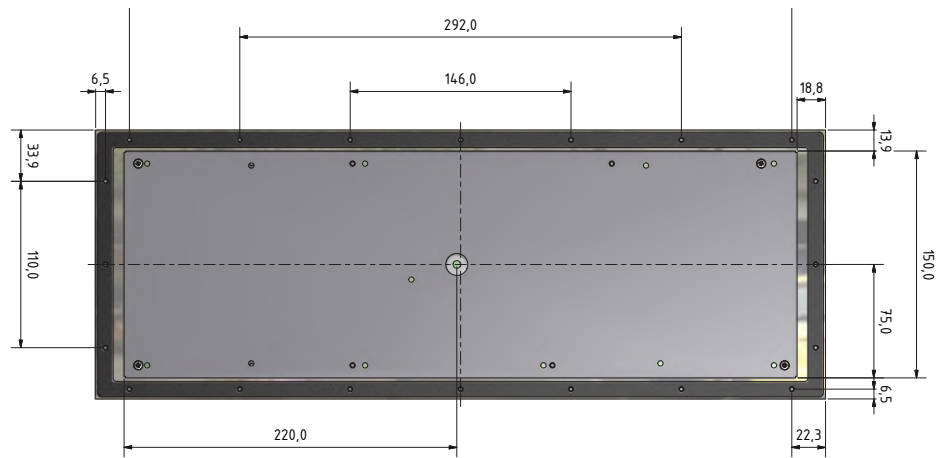
ACCESSORIES AND SUPPLEMENTARY PRODUCTS

KY02000	TKS-105a-MODUL-SCHABLONE	Template for marking external dimensions, cut-out and drill holes
---------	--------------------------	---

Other language versions / interfaces / configurations available on request.

Subject to modifications and errors

TECHNICAL DRAWING (in mm)



Subject to modifications and errors

GETT Gerätetechnik GmbH

Mittlerer Ring 1 | 08233 Treuen | Germany
Tel: +49 37468 660-0
Fax: +49 37468 660-66
E-Mail: info@gett.de
Internet: www.gett.de

Gett North America LLC

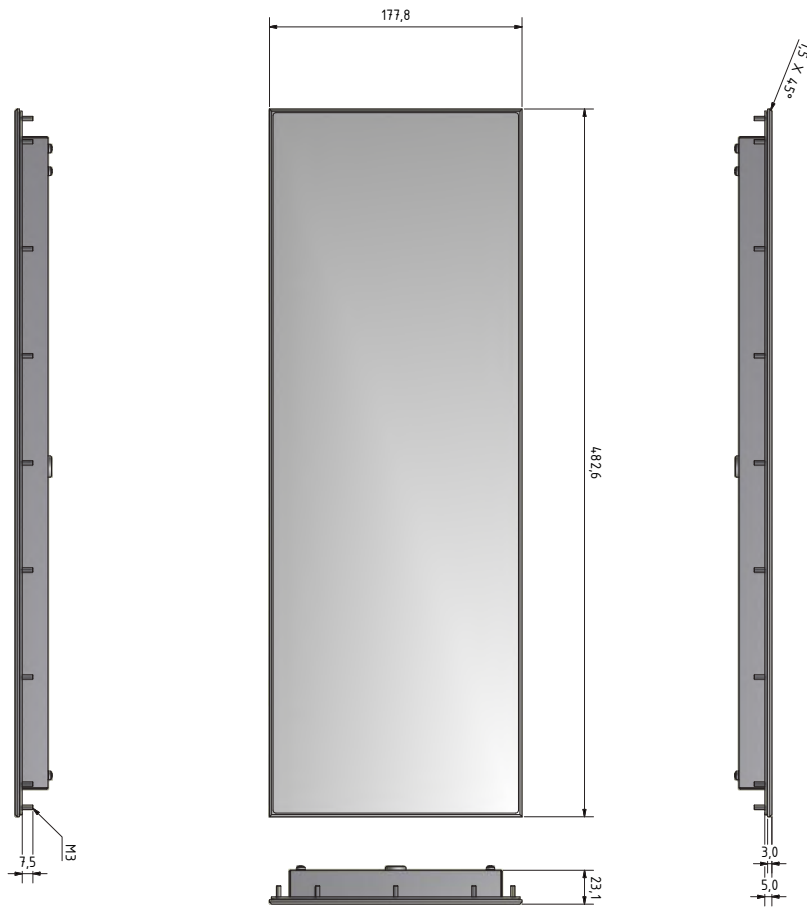
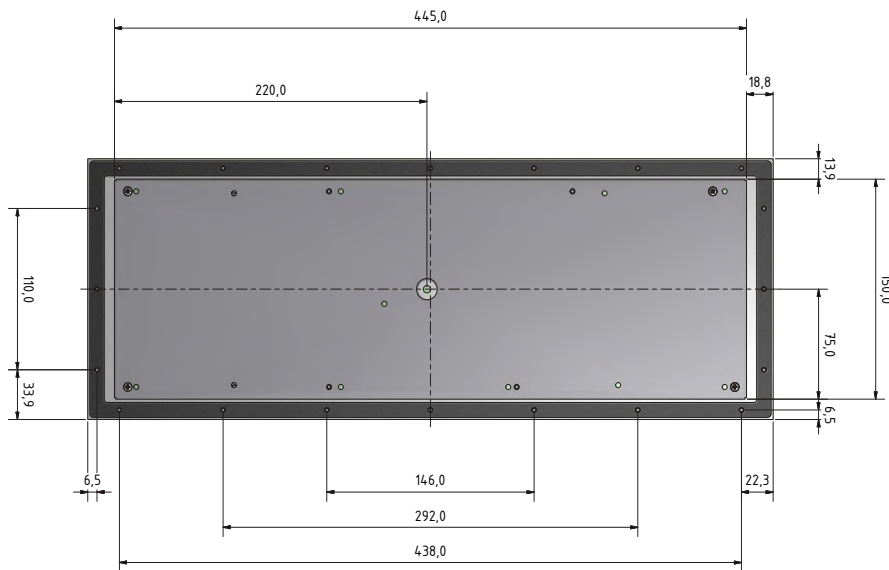
E-Mail: info@gett-na.com
Internet: www.gett-na.com

Gett Asia Ltd.

E-Mail: info@gett-asia.com
Internet: www.gett-asia.com

gett.de
gett-group.com

TECHNICAL DRAWING - with EP (in mm)



Subject to modifications and errors

GETT Gerätetechnik GmbH

Mittlerer Ring 1 | 08233 Treuen | Germany
Tel: +49 37468 660-0
Fax: +49 37468 660-66
E-Mail: info@gett.de
Internet: www.gett.de

Gett North America LLC

E-Mail: info@gett-na.com
Internet: www.gett-na.com

Gett Asia Ltd.

E-Mail: info@gett-asia.com
Internet: www.gett-asia.com