

## Features

- 23.8" New Generation Stainless Steel Display
- True Flat Front Bezel Design and Grade 304 Stainless Steel Enclosure (Grade 316 for Option)
- IP66/IP69K Rated with M12 (W.F.) Connectors
- Support Resistive Touch, Projected Capacitive Touch, and Glass
- Touch on/off Button on the Side Edge for Hygienic Cleaning
- Support Ergonomic Versatile Mounting: Yoke Mounting / Space-saving VESA 200 x 100 mm Mounting

## Specifications

| IO Port              |                                                            |
|----------------------|------------------------------------------------------------|
| VGA                  | 1 x M12 12-pin for VGA with waterproof cover and chain     |
| HDMI                 | 1 x W.F. HDMI with waterproof cap                          |
| USB                  | 1 x M12 USB 2.0 with waterproof cover and chain            |
| Speaker              | 1 x 2W IP65 speaker (option)                               |
| OSD Control Membrane | OSD on the rear side                                       |
| Power Connector      | 1 x M12 3-pin for DC power with waterproof cover and chain |

| Display                        | Standard      | High Brightness Optional |
|--------------------------------|---------------|--------------------------|
| Display Type                   | 23.8" TFT-LCD | 23.8" TFT-LCD            |
| Max. Resolution                | 1920 x 1080   | 1920 x 1080              |
| Max. Color                     | 16.7M         | 16.7M                    |
| Luminance (cd/m <sup>2</sup> ) | 250           | 1000                     |
| View Angle                     | 178(H)/178(V) | 178(H)/178(V)            |
| Contrast                       | 3000:1        | 3000:1                   |
| Backlight Lifetime             | 30,000 hrs    | 30,000 hrs               |

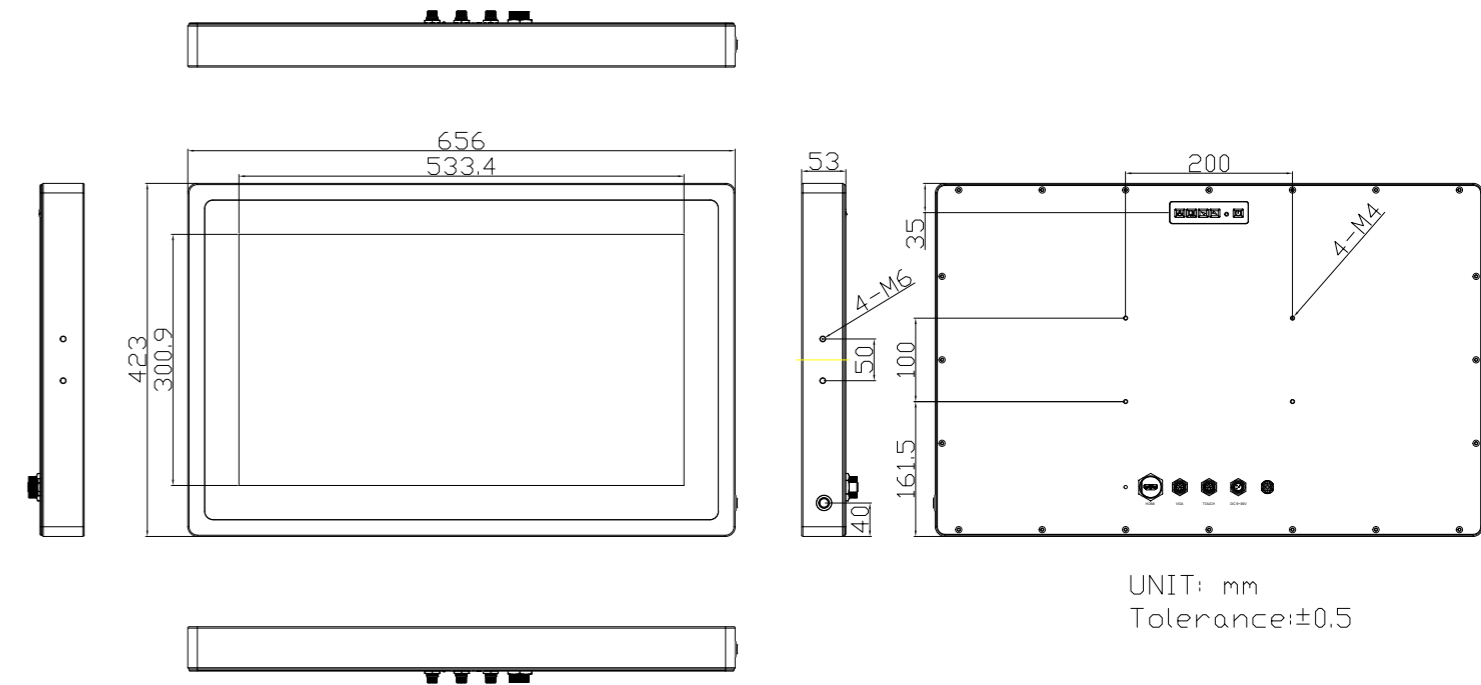
| Touch Screen          |                                                                 |
|-----------------------|-----------------------------------------------------------------|
| Type                  | Projected Capacitive Touch (for P model)<br>Glass (for G model) |
| Interface             | USB                                                             |
| Light Transmission(%) | Projected Capacitive : 90%                                      |

| Power             |                                             |
|-------------------|---------------------------------------------|
| Power Input       | DC 9~36V                                    |
| Power Consumption | ViTAM-124P: Max 32W<br>ViTAM-124PH: Max 45W |

| Mechanical   |                                                                             |
|--------------|-----------------------------------------------------------------------------|
| Construction | 304 Stainless steel chassis(default), 316 Stainless steel chassis(optional) |
| Mounting     | VESA Mount 200 x 100, Yoke mount (option)                                   |
| IP Rating    | Total IP66/IP69K                                                            |
| Dimensions   | 656 x 423 x 53 mm                                                           |
| Net Weight   | 12.6 kg                                                                     |

| Environmental         |                                   |
|-----------------------|-----------------------------------|
| Operating Temperature | 0~50°C                            |
| Storage Temperature   | -30~70°C                          |
| Humidity              | 10 to 95% @ 40°C, non- condensing |
| Certificate           | CE/FCC Class A                    |

## Dimensions



## Ordering Information

|             |                                                                                                                                                                   |
|-------------|-------------------------------------------------------------------------------------------------------------------------------------------------------------------|
| ViTAM-124P  | 23.8" FHD IP66/IP69K stainless steel display, VGA/HDMI input, OSD on the rear side, projected capacitive touch, 9~36V DC power input with Adapter                 |
| ViTAM-124G  | 23.8" FHD IP66/IP69K stainless steel display, VGA/HDMI input, OSD on the rear side, protection glass, 9~36V DC power input with Adapter                           |
| ViTAM-124PH | 23.8" FHD IP66/IP69K stainless steel display, VGA/HDMI input, OSD on the rear side, projected capacitive touch, 9~36V DC power input with Adapter, 1,000 nits LCD |
| ViTAM-124GH | 23.8" FHD IP66/IP69K stainless steel display, VGA/HDMI input, OSD on the rear side, protection glass, 9~36V DC power input with Adapter, 1,000 nits LCD           |