

Features

- 10.1" New Generation Stainless Steel Display
- True Flat Front Bezel Design and Grade 304 Stainless Steel Enclosure (Grade 316 for Option)
- IP66/IP69K Rated with M12 (W.F.) Connectors
- Support Resistive Touch, Projected Capacitive Touch, and Glass
- Touch on/off Button on the Side Edge for Hygienic Cleaning
- Support Ergonomic Versatile Mounting: Yoke Mounting / Space-saving VESA 75 x 75 mm Mounting

Specifications

| IO Port | |
|----------------------|--|
| VGA | 1 x M12 12-pin for VGA with waterproof cover and chain |
| HDMI | 1 x W.F. HDMI with waterproof cap |
| USB | 1 x M12 USB 2.0 with waterproof cover and chain |
| Speaker | 1 x 2W IP65 speaker (option) |
| OSD Control Membrane | OSD on the rear side |
| Power Connector | 1 x M12 3-pin for DC power with waterproof cover and chain |

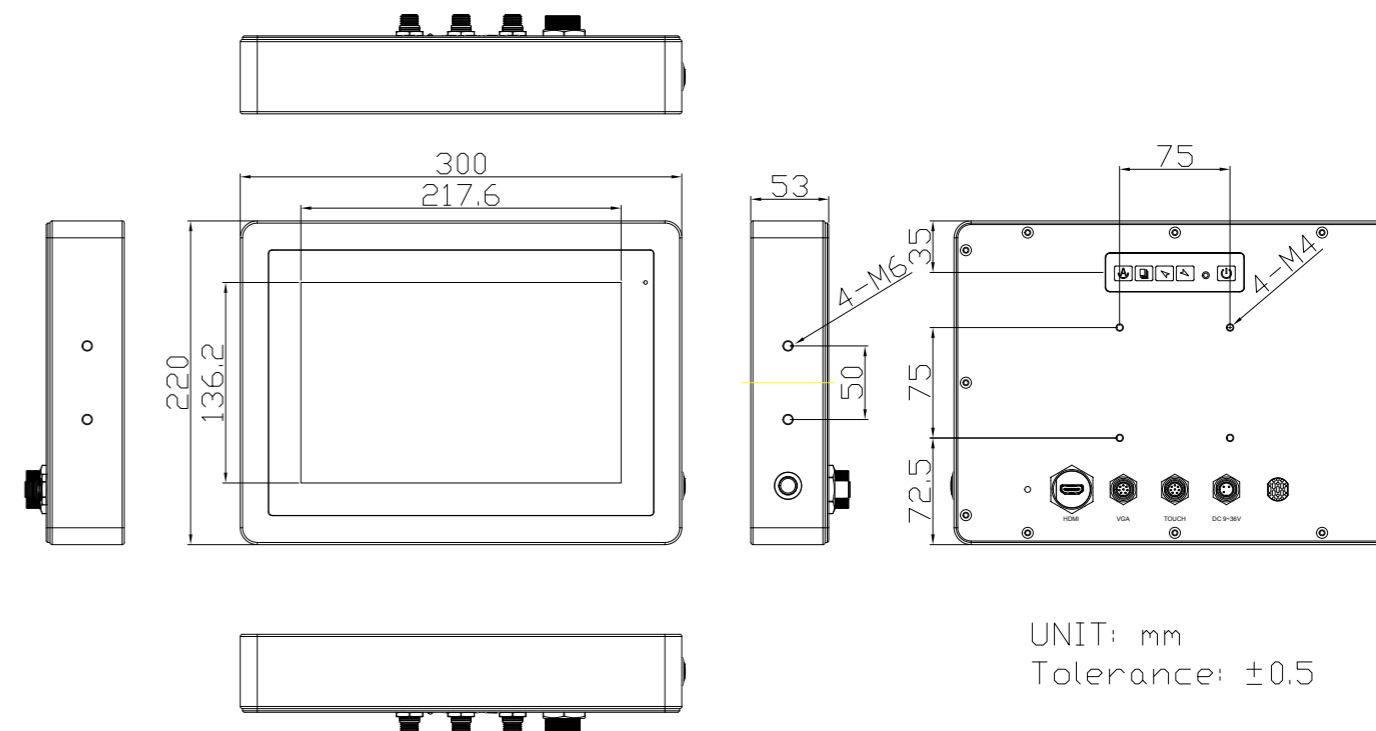
| Display | Standard | High Brightness Optional |
|--------------------------------|----------------|--------------------------|
| Display Type | 10.1" TFT-LCD | 10.1" TFT-LCD |
| Max. Resolution | 1280 x 800 | 1280 x 800 |
| Max. Color | 16.7M | 16.7M |
| Luminance (cd/m ²) | 350 | 1000 |
| View Angle | 170(H) /170(V) | 170(H) /170(V) |
| Contrast | 800:1 | 800:1 |
| Backlight Lifetime | 25,000 hrs | 50,000 hrs |

| Touch Screen | |
|-----------------------|--|
| Type | Resistive Touch (for R model) Projected Capacitive Touch (for P model) Glass (for G model) |
| Interface | USB |
| Light Transmission(%) | Resistive Touch : 80% Projected Capacitive : 90% |

| Power | |
|-------------------|------------------------------------|
| Power Input | DC 9~36V |
| Power Consumption | ViTAM-110P: 6W ViTAM-110PH: 11W |

| Mechanical | |
|--------------|---|
| Construction | 304 Stainless steel chassis(default), 316 Stainless steel chassis(optional) |
| Mounting | VESA Mount 75 x 75, Yoke mount (option) |
| IP Rating | Total IP66/IP69K |
| Dimensions | 300 x 220 x 53 mm |
| Net Weight | 3.6 kg |

Dimensions



UNIT: mm
Tolerance: ±0.5

| Environmental | |
|-----------------------|-----------------------------------|
| Operating Temperature | 0~50°C / -20~60°C (option) |
| Storage Temperature | -30~70°C |
| Humidity | 10 to 95% @ 40°C, non- condensing |
| Certificate | CE/FCC Class A |

| Ordering Information | |
|----------------------|---|
| ViTAM-110P | 10.1" WXGA IP66/IP69K stainless steel display, VGA/HDMI input, OSD on the rear side, projected capacitive touch, 9~36V DC power input with Adapter |
| ViTAM-110R | 10.1" WXGA IP66/IP69K stainless steel display, VGA/HDMI input, OSD on the rear side, 5 wire resistive touch window, 9~36V DC power input with Adapter |
| ViTAM-110G | 10.1" WXGA IP66/IP69K stainless steel display, VGA/HDMI input, OSD on the rear side, protection glass, 9~36V DC power input with Adapter |
| ViTAM-110PH | 10.1" WXGA IP66/IP69K stainless steel display, VGA/HDMI input, OSD on the rear side, projected capacitive touch, 9~36V DC power input with Adapter, 1,000 nits LCD |
| ViTAM-110RH | 10.1" WXGA IP66/IP69K stainless steel display, VGA/HDMI input, OSD on the rear side, 5 wire resistive touch window, 9~36V DC power input with Adapter, 1,000 nits LCD |
| ViTAM-110GH | 10.1" WXGA IP66/IP69K stainless steel display, VGA/HDMI input, OSD on the rear side, protection glass, 9~36V DC power input with Adapter, 1,000 nits LCD |