



VPD-142N-H

4.3" Touch HMI Device with 2 x RS-232/RS-485



VPD-143N-H

4.3" Touch HMI Device with 2 x RS-232/RS-485, Ethernet (PoE)



VPD-142-H

4.3" Touch HMI Device with 2 x RS-232/RS-485 and Rubber Keypad



VPD-143-H

4.3" Touch HMI Device with 2 x RS-232/RS-485, Ethernet (PoE) and Rubber Keypad

Features

- High-color high-resolution touch screen
- RTC (Real Time Clock)
- Buzzer
- Communication Port: Serial, Ethernet
- Rubber keypad (VPD-142-H/VPD-143-H)
- Free HMIWorks development tool
- Support C language and Ladder Designer
- Modbus TCP/RTU & DCON protocols
- Support user-defined third party protocol (C language)
- Front Panel: IP65 Waterproof
- I/O Expansion Board: XV-board
- Operating Temperature: -20 ~ 50 °C



Introduction

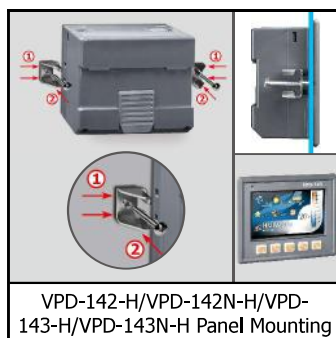
The **TouchPAD VPD 4.3" Series** is a series of industrial touch HMI devices that features 4.3" high-color high-resolution touch screen LCD. With touch screen capability, it is easy to deploy into all kinds of automation systems, and make them more intuitive and efficient. Either setup new system installations or complete system retrofits, VPD series stands out for its wide variety of communication methods. Its built-in communication ports include RS-232/RS-485 and Ethernet(for VPD-143 series) interface, enable integration into the system allowing users to control, monitor I/O at the remote sides. Besides, front-panel IP65 waterproof as well as the rubber keypad make VPD series more reliable for rugged environments.

HMIWorks, the free development software for VPD series, provides an easy-to-use environment, and powerful and intuitive programming with graphic capabilities to let users create appealing graphical interface screens in minutes. For PLC users, HMIWorks provides Ladder Designer and C language environment for IT users. Especially, it only takes no more than 30 minutes to learn how to create an application program when using Ladder Designer. With all the features provided, VPD series touch HMI Devices must be the most cost effective HMI Device ever been in the market.

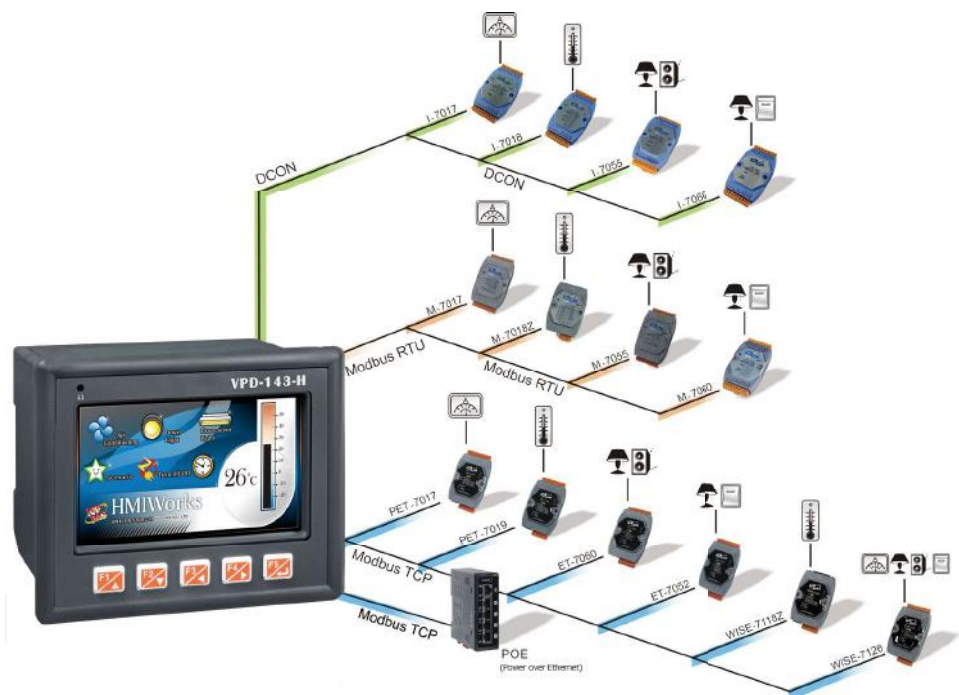
Applications



VPD-142-H/VPD-142N-H/VPD-143-H/VPD-143N-H with DIN-Rail Mounting



VPD-142-H/VPD-142N-H/VPD-143-H/VPD-143N-H Panel Mounting



Applications

Status Display

Presentations

Factory/Machine Automation

User-defined HMI

Power Monitor

- Voltage (V)
- Current (A)
- Power (W)
- Power Factor

Schedule Management with Built-in RTC

Multi-display

Multi-page Design

	Time	Shutdown	Cumulative Time
1	120 _m	Start	120 _m Reset
2	120 _m	Start	120 _m Reset
3	120 _m	Start	

Setting **PHMIWorks**
Industrial Computer Product
Data Acquisition System

PHMIWorks Industrial Computer Product
Data Acquisition System

26c

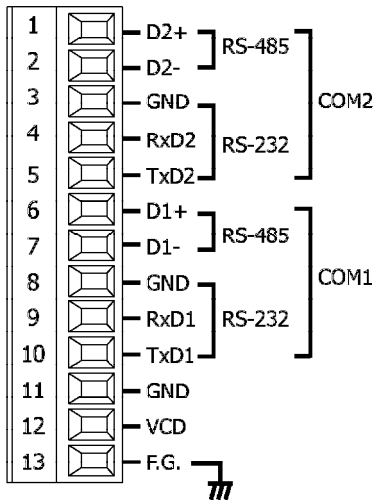
curr. val. 2010/03/23
Setting 110 v 11:25:25

Specifications

Model	VPD-142-H	VPD-142N-H	VPD-143-H	VPD-143N-H
Main Unit				
CPU	32-bit RISC CPU			
Storage	16 MB SDRAM/16 MB Flash			
Real Time Clock	Yes			
Display				
Type	LCD 4.3" TFT (Resolution 480 X 272, 65535 colors), defective pixels <= 3			
Backlight Life	20,000 hours			
Brightness	400 cd/m2			
Touch Panel	Yes			
LED Indicators				
Status	1 LED			
COM Ports				
Ports	2 x RS-232/RS-485 including Self-Tuner			
HMI				
Buzzer	Yes			
Rotary Switch	Yes			
Rubber Keypad	5 keys (Programmable)	-	5 keys (Programmable)	-
Reset Button	Yes			
Ethernet				
Ports	RJ-45 x 1, 10/100 Base-TX			
Power				
Consumption	2.5 W			
Powered from PoE	-	IEEE 802.3af, Class1 (48 V)		
Powered from Terminal Block	+12 ~ 48 VDC			
Mechanical				
Dimensions (mm)	131 mm x 105 mm x 54 mm			
Installation	DIN-Rail Mounting and Panel Mounting			
Ingress Protection Rating	Front Panel: IP65			
Environmental				
Operating Temperature	-20 ~ +50 °C			
Storage Temperature	-30 ~ +80 °C			
Humidity	10 ~ 90% RH, non-condensing			

Pin Assignments

VPD-142-H/142N-H/143-H/143N-H



Appearance

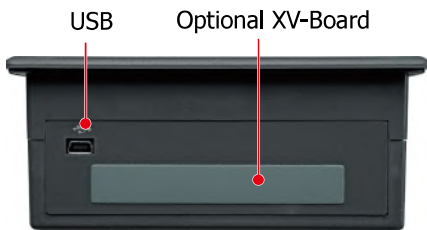
VPD-142N-H/143N-H Front View



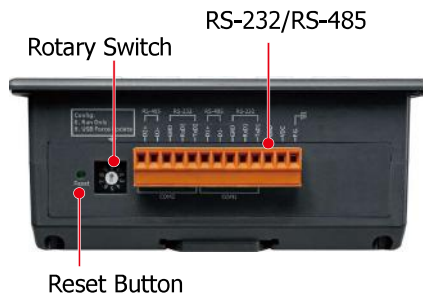
VPD-142-H/143-H Front View



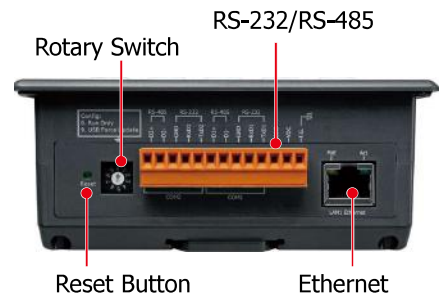
VPD-142(N)-H/143(N)-H Top View



VPD-142(N)-H Bottom View

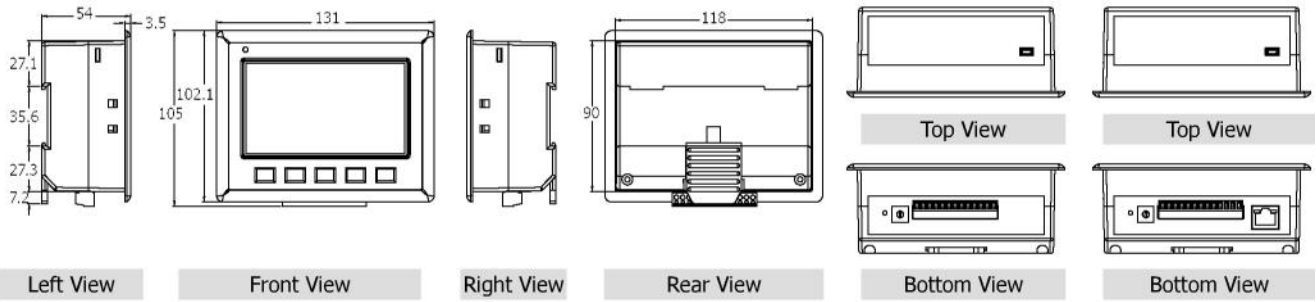


VPD-143(N)-H Bottom View

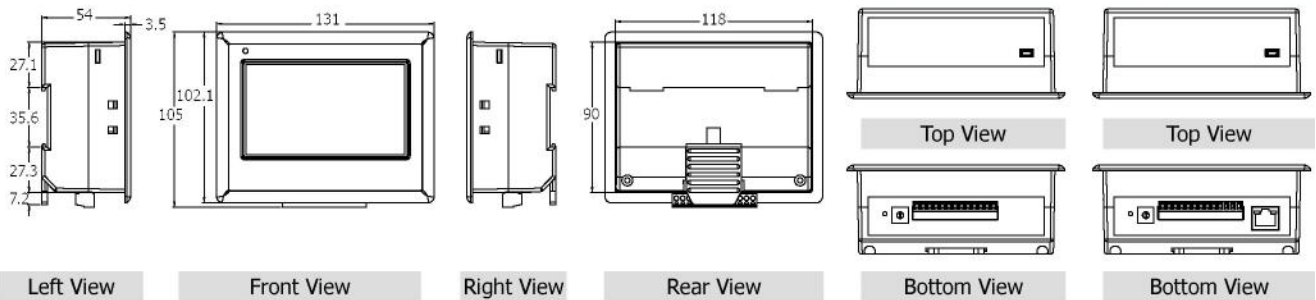


■ Dimensions (Units: mm)

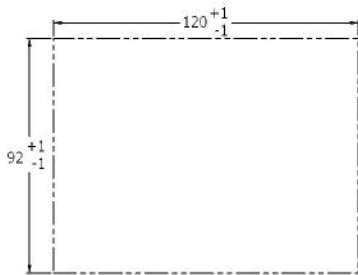
VPD-142-H/VPD-143-H



VPD-142N-H/VPD-143N-H



VPD-142-H/142N-H/143-H/143N-H



Recommended Panel Cutout

■ Ordering Information

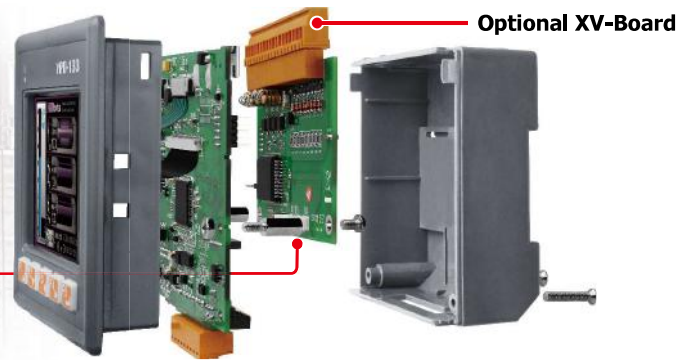
VPD-142-H CR	4.3" Touch HMI Device with 2 x RS-232/RS-485, RTC, USB Download Port and Rubber Keypad (RoHS)
VPD-142N-H CR	4.3" Touch HMI Device with 2 x RS-232/RS-485, RTC and USB Download Port (RoHS)
VPD-143-H CR	4.3" Touch HMI Device with 2 x RS-232/RS-485, Ethernet (PoE), RTC, USB Download Port and Rubber Keypad (RoHS)
VPD-143N-H CR	4.3" Touch HMI Device with 2 x RS-232/RS-485, Ethernet (PoE), RTC and USB Download Port (RoHS)

■ Accessories






CA-USB10 CR	USB to 5P Mini-USB, 28AWG, 1.5 m
MDR-60-24 CR	24 VDC/2.5A, 60 W Power Supply with DIN-Rail Mounting (RoHS)

XV-Board Series

Making VPD series
have its own I/O to control!



Model	DIO Board					Relay Output Board	
	XV107	XV107A	XV110	XV111	XV111A	XV116	
Image							
Digital Input							
Channel	8	8	16			5	
Contact	Wet	Wet	Dry+Wet			Wet	
Sink/Source (NPN/PNP)	Source	Sink	Sink/Source			Sink/Source	
Wet Contact	On Voltage Level	+3.5 VDC ~ +50 VDC				+3.5 VDC ~ +50 VDC	
	Off Voltage Level	+1 VDC Max.				+1 VDC Max.	
Dry Contact	On Voltage Level	-	Close to GND	-	-	-	
	Off Voltage Level	-	Open	-	-	-	
Counters	Channels	8	16			5	
	Max. Count	32-bit (0 ~ 4, 294, 967, 285)				32-bit (0 ~ 4, 294, 967, 285)	
	Max. Input Frequency	50 Hz				50 Hz	
	Min. Pulse Width	10 ms				10 ms	
Input Impedance	10 KΩ, 0.5 W				10 KΩ, 0.5 W		
Overvoltage Protection	70 Vdc				70 VDC		
Digital Output							
Channel	8			16			
Type	Open Collector	Open Emitter		Open Collector	Open Emitter		
Sink/Source (NPN/PNP)	Sink	Source		Sink	Source		
Load Voltage	+3.5 VDC ~ 50 VDC	+10 Vdc ~ 40 Vdc		+3.5 VDC ~ 50 VDC	+10 VDC ~ 40 VDC		
Max. Load Current	700 mA/channel	650 mA/channel		600 mA/channel			
Overload Protection	1.4 A			1.4 A			
Relay Output							
Channel					2 (channel 0, 1)	4 (channel 2~5)	
Type					Signal Relay	Power Relay	
Form A Relay	Contact Rating					2 A @ 30 VDC 0.24 A @ 220 VDC 0.25 A @ 250 VAC	6 A @ 35 VDC 6 A @ 240 VAC
	Min. Contact Load					10 mA @ 20 mV	100 mA @ ≥ 12 V
	Contact Material					Silver Nickel, Gold-covered	Silver Cadmium Alloy
	Operate Time					3 ms (typical)	5 ms (typical)
	Release Time					4 ms (typical)	1 ms (typical)
	Mechanical Endurance					10 ⁸ ops.	30 X 10 ⁶ ops.
	Electrical Endurance					2 X 10 ⁵ ops.	1 X 10 ⁵ ops.
Isolation							
Intra-module Isolation	3750 VDC (Field to Logic)						
Power Requirements							
Consumption	0.15 W	0.45 W	0.25 W	0.2 W	0.8 W	1.2 W	

Multifunction Board					
Model	XV303	XV306	XV307	XV308	XV310
Image					
Analog Input					
Channel		4		8	4
Sensor Type		$\pm 1\text{ V}, \pm 2.5\text{ V}, \pm 5\text{ V}, \pm 10\text{ V}, 0 \sim 20\text{ mA}, 4 \sim 20\text{ mA}, \pm 20\text{ mA}$ (Jumper selectable)		$\pm 1\text{ V}, \pm 2.5\text{ V}, \pm 5\text{ V}, \pm 10\text{ V}, 0 \sim 20\text{ mA}, 4 \sim 20\text{ mA}, +/ - 20\text{ mA}$ (Jumper selectable)	
Resolution	-	16-bit	-	16-bit	
Sampling Rate	Normal Mode	10 Hz		10 Hz	
	Fast Mode	200 Hz		200 Hz	
Input Impedance		20 M Ω		20 M Ω	
Overvoltage Protection		120 VDC		120 VDC	
Analog Output					
Channel	4		2		2
Range	0 V ~ +5 V, $\pm 5\text{ V}$, 0 V ~ +10 V, $\pm 10\text{ V}$, 0 mA ~ +20 mA, +4 mA ~ +20 mA (Jumper Selectable)	-	0 V ~ +5 V, $\pm 5\text{ V}$, 0 V ~ +10 V, $\pm 10\text{ V}$, 0 mA ~ +20 mA, +4 mA ~ +20 mA (Jumper Selectable)	-	0 V ~ +5 V, $\pm 5\text{ V}$, 0 V ~ +10 V, $\pm 10\text{ V}$, 0 mA ~ +20 mA, +4 mA ~ +20 mA (Jumper Selectable)
Resolution	12-bit		12-bit		12-bit
Voltage Output Capability	10 V @ 20 mA		10 V @ 20 mA		10 V @ 20 mA
Current Load Resistance	500 Ω		500 Ω		500 Ω
Universal Digital Input/Output					
Channel		-		DI+DO=8 (by Wire)	-
Digital Input					
Channel	4		4	-	4
Sink/Source (NPN/PNP)	Sink/Source		Sink/Source	Source	Source
Wet Contact	On Voltage Level	$+3.5 \sim +50\text{ Vdc}$		+1 Vdc Max.	-
	Off Voltage Level	$+1\text{ Vdc Max.}$		+4 ~ 30 VDC	-
Dry Contact	On Voltage Level	-		Close to GND	Close to GND
	Off Voltage Level	-		Open	Open
Counters	Max. Count	32-bit (0~4,294,967,285)			
	Max. Input Frequency	50 Hz			
	Min. Pulse Width	10 ms			
Overload Protection	70 VDC		70 VDC	60 VDC	60 VDC
Digital Output					
Channel		4		-	4
Type		Power Relay (Form A)		Sink	Source
Load Voltage				3.5 ~ 50 VDC	+10 ~ +40 VDC
Max. Load Current			-	700 mA	650 mA/channel
Overload Protection				60 VDC	47 VDC
Contact Rating		6 A @ 35 VDC 6 A @ 240 VAC			
Min. Contact Load		100 mA @ $\geq 12\text{ V}$		-	-
Operate/Release Time		5 ms (typical)/1 ms (typical)			
Mechanical/Electrical Endurance		30 x 10 ⁶ ops./1 x 10 ⁵ ops.			
Isolation					
Intra-module Isolation, Field to		2000 Vdc			
Power Requirements					
Consumption		1.6 W		0.8 W	1.6 W