



SSD5197-I V1

51.9" Resizing LCD, 1400 nits LED backlight, 3840 x 1077 ultra-wide aspect ratio 16:4.4

The SSD5197-I is a 51.9 inch color TFT-LCD display with special aspect ratio 16:4.4 and wide resolution 3840 x 1077. It is Litemax's Spanpixel series product which designed for high brightness 1400 nits with power efficiency LED backlight. It provides LCD panel with specific aspect ratios and sunlight readable for digital signage, public transportation, exhibition hall, department store, and vending machine.

Key Features

- Resizing LCD
- Ultra-Wide Screen (16 : 4.4)
- High Brightness 1400 nits
- Sunlight Readable
- LED Backlight
- Slim Bezel
- BL MTBF: 100,000 hours



Specifications

Model Name	SSD5197-INU V1
Description	51.9" Resizing LCD, 1400 nits LED backlight, 3840x1077
Screen Size	51.9"
Display Area (mm)	1270.1(H) x 359.7(V)
Brightness	1400 cd/m ²
Resolution	3840x1077
Aspect Ratio	16 : 4.4
Contrast Ratio	6130 : 1
Pixel Pitch (mm)	0.33(H) x 0.33(V)
Pixel Per Inch (PPI)	76
Viewing Angle	178°(H), 178°(V)
Color Saturation (NTSC)	83%
Display Colors	1.07G
Response Time (Typical)	9.5ms
Panel Interface	V-by-One
AD Board Input Interface	VGA, DVI-D, HDMI, DP
Input Power	AC100~240V
Power Consumption	134W
OSD Key	5 Keys (Power Switch, Menu, +, -, Exit)
OSD Control	Brightness, Color, Contrast, Auto Turing, H/V Position...etc
Dimensions (mm)	1304.2x 394.8 x 67.4
Bezel Size(U/B/L/R)	15/15/14.5/14.5 mm
Weight (Net)	22.5 kg
Mounting	300x75
Operating Temperature	0 °C ~ 50 °C
Storage Temperature	-20 °C ~ 60 °C

SSD= Panel + LED Driving Board + AD Control Board + Housing

Specifications are subject to change without notice.

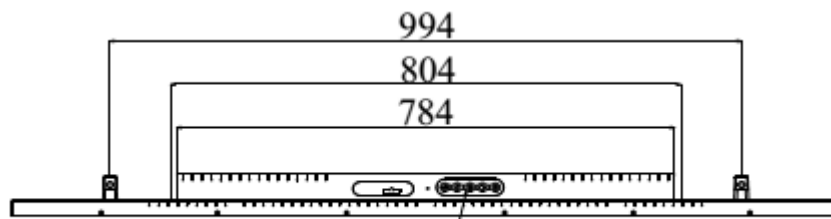
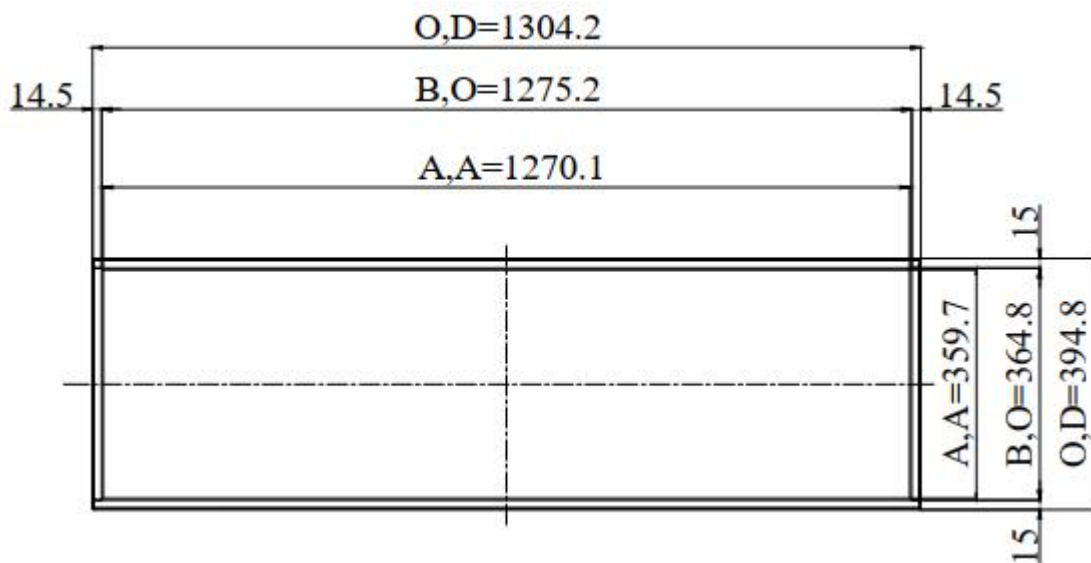
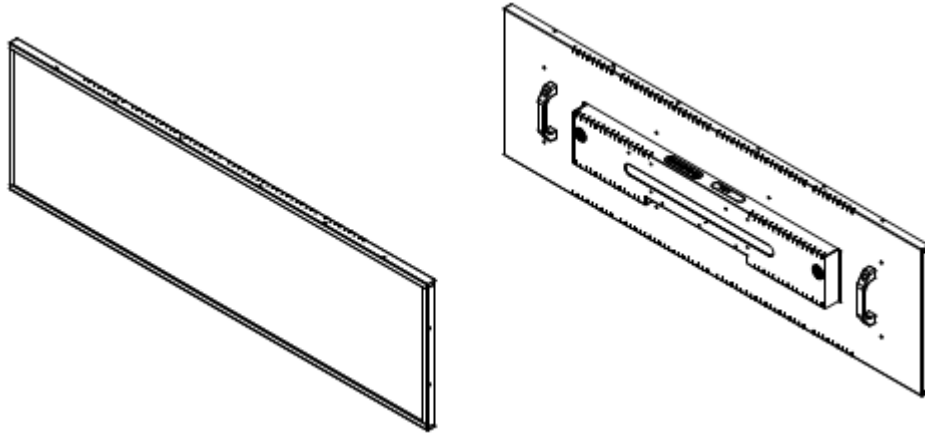
All brands or product names are trademarks or registered trademarks of their respective companies.



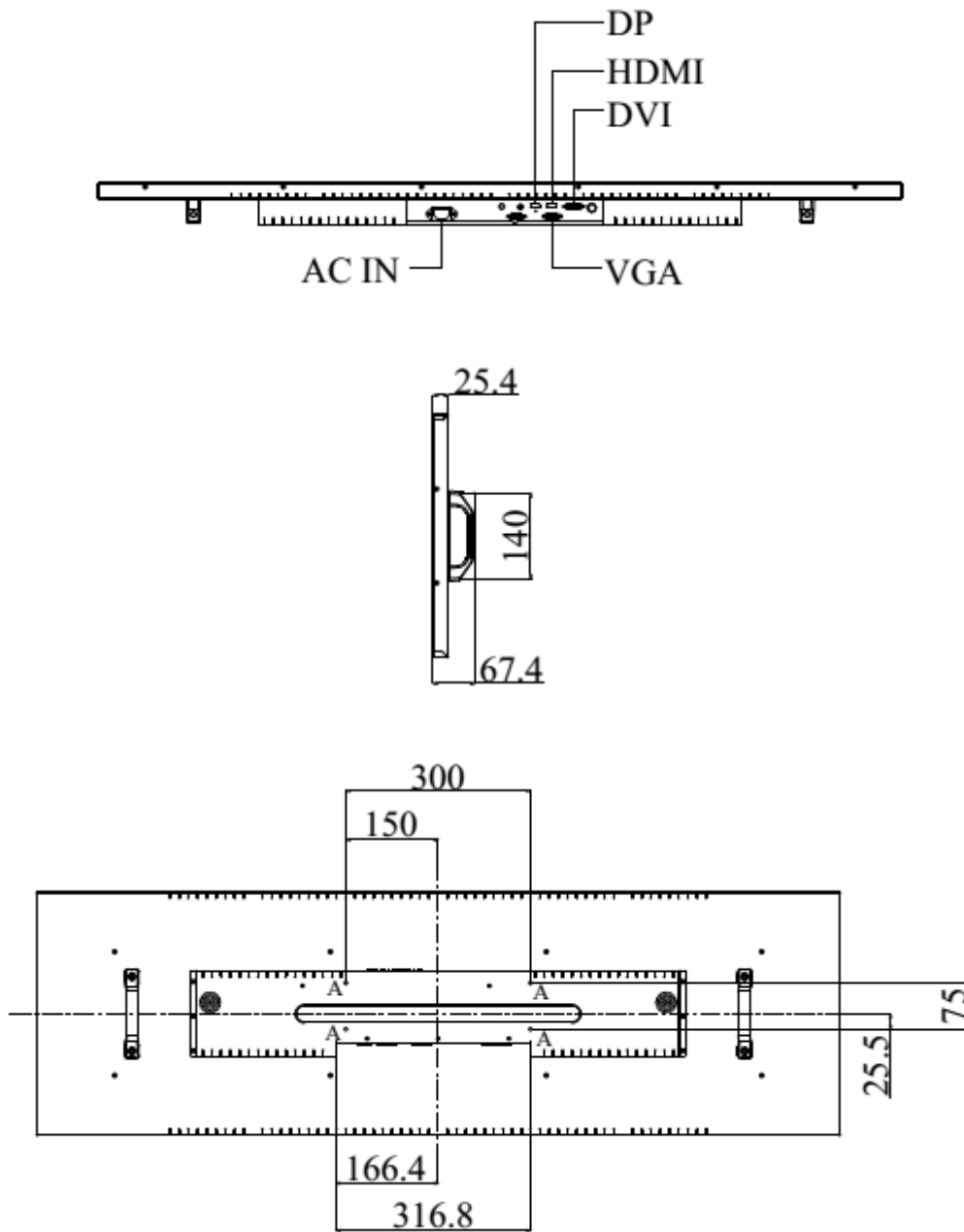
Mechanical Drawing

Outline Dimensions

Unit: mm



MEMBRANE 5-KEYS



NOTE :

O.D. : OUTLINE DIMENSION

B.O. : BEZEL OPENING

A.A. : LCD ACTIVE AREA

A : 4-M6_USER HOLE_MAX Depth=8mm



Ordering Information

Part Number	Description
SSD5197-INU-M01	51.9",1400nits,3840*1077,LID51A,AD9131GDHP,O/B,speaker*2,AC100~240V,2in1,V1

Optional Accessories

Part Number	Description
810618301010	CABLE.POWER.AC.1830mm USA type
810618301090	CABLE,POWER,AC,1830mm Europe type
810618301050	CABLE.POWER.AC.1830mm UK type
810618301170	CABLE.POWER,AC,1830mm Australia type
810618301031	CABLE.POWER.AC.1830mm Japan type

By Customer Request

Glass	Tempered glass, AR coating.....
-------	---------------------------------