



**SSD4959-I**

**49.5" LCD, 1800 nits LED Backlight , 3840x1080 ultra-wide aspect ratio 16:4.5**

The SSD4959-I is a 49.5 inch color TFT-LCD display with special aspect ratio 16:4.5 and wide resolution 3840 x 1080. It is Litemax's Spanixel series product which designed for high brightness 1800 nits with power efficiency LED backlight. It provides LCD panel with specific aspect ratios and sunlight readable for digital signage, public transportation, exhibition hall, department store, and vending machine.

**Key Features**

- 49.5" Resizing LCD
- Ultra-Wide Screen (16 : 4.5)
- High Brightness 1800 nits
- LED Backlight
- Wide Viewing Angle of 178°(H), 178°(V)
- Low Power Consumption
- BL MTBF: 100,000 hours



**Specifications**

|                                |  |
|--------------------------------|--|
| <b>Model Name</b>              | <b>SSD4959-I</b>   |
| <b>Description</b>             | 49.5" Resizing LCD, 1800 nits LED backlight, 3840x1080       |
| <b>Screen Size</b>             | 49.5"  |
| <b>Display Area (mm)</b>       | 1209.6(H) x 340.2(V)   |
| <b>Brightness</b>              | 1800 cd/m <sup>2</sup>                                       |
| <b>Resolution</b>              | 3840x1080  |
| <b>Aspect Ratio</b>            | 16 : 4.5   |
| <b>Contrast Ratio</b>          | 6400 : 1   |
| <b>Pixel Pitch (mm)</b>        | 0.315(H) x 0.315(V)  |
| <b>Pixel Pre Inch (PPI)</b>    | 81   |
| <b>Viewing Angle</b>           | 178°(H),178°(V)  |
| <b>Color Saturation (NTSC)</b> | 82%  |
| <b>Display Colors</b>          | 1.07G  |
| <b>Response Time (Typical)</b> | 9.5ms  |
| <b>Panel Interface</b>         | V-by-One   |
| <b>Input Interface</b>         | HDMI x 2, DP   |
| <b>Input Power</b>             | AC100~240V   |
| <b>Power Consumption</b>       | 115W   |
| <b>OSD Key</b>                 | 5 Keys (Power Switch, Menu, +, Exit, -)                      |
| <b>OSD Control</b>             | Brightness, Color, Contrast, Auto Turing, H/V Position...etc |
| <b>Dimensions (mm)</b>         | 1247.2(H) x 381.3(V) x 68.4 (T)                              |
| <b>Bezel Size(U/B/L/R)</b>     | 20.6/20.6/18.8/18.8 mm                                       |
| <b>Mounting</b>                | 300x75, 650x100  |
| <b>Weight (Net)</b>            | 18.5kg   |
| <b>Operating Temperature</b>   | 0 °C ~ 50 °C   |
| <b>Storage Temperature</b>     | -20 °C ~ 60 °C   |

**SSD= Panel + LED Driving Board + AD Control Board + Housing**

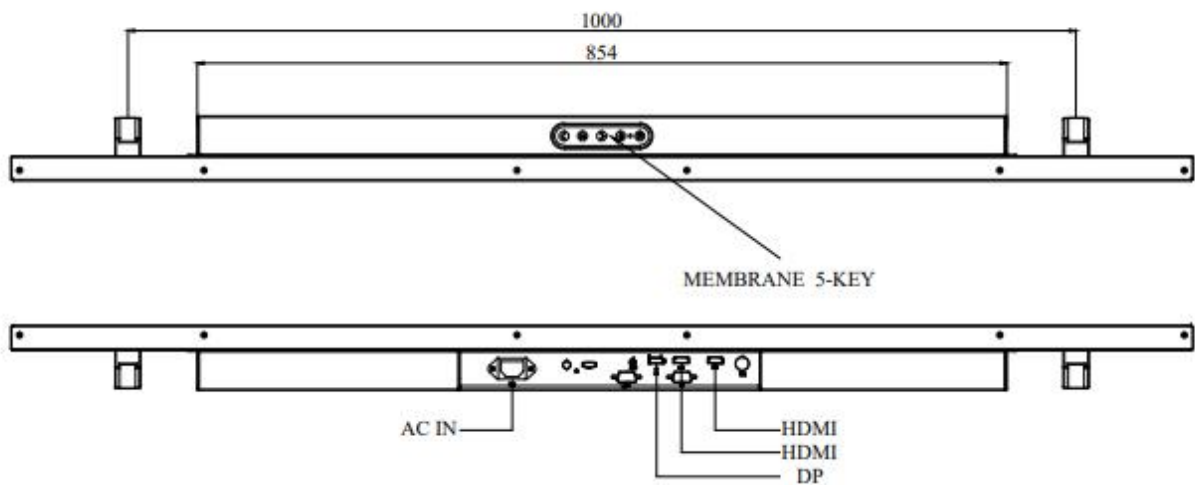
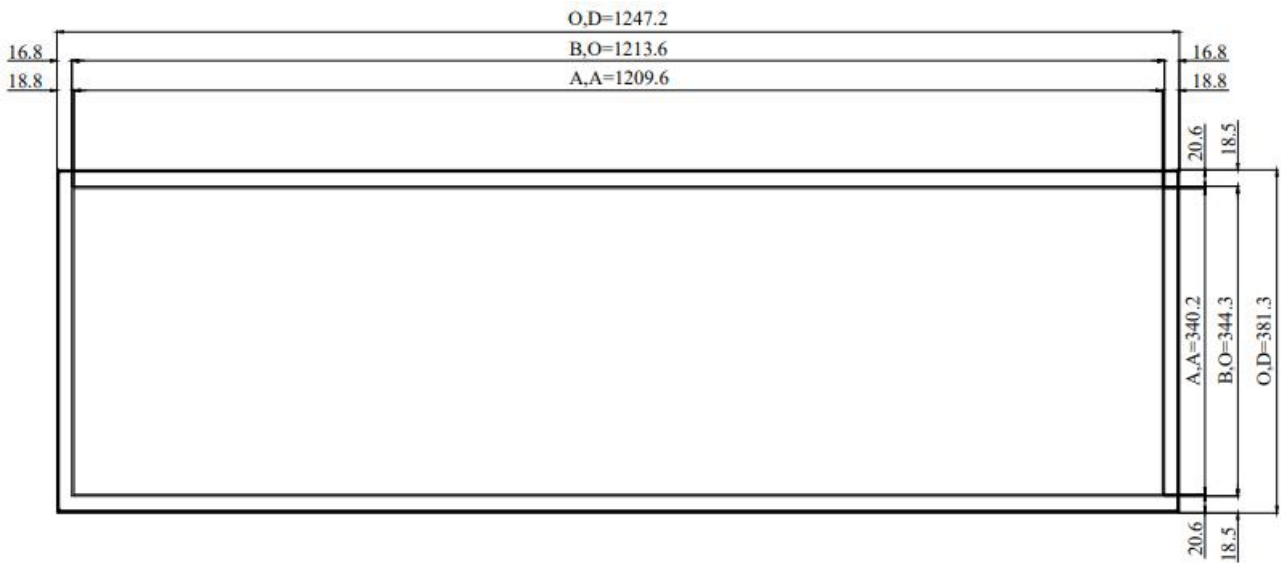
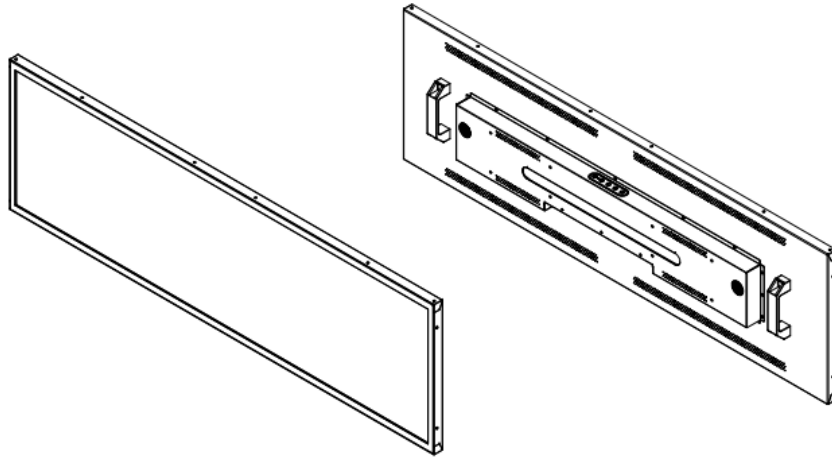
*Specifications are subject to change without notice.  
All brands or product names are trademarks or registered trademarks of their respective companies.*

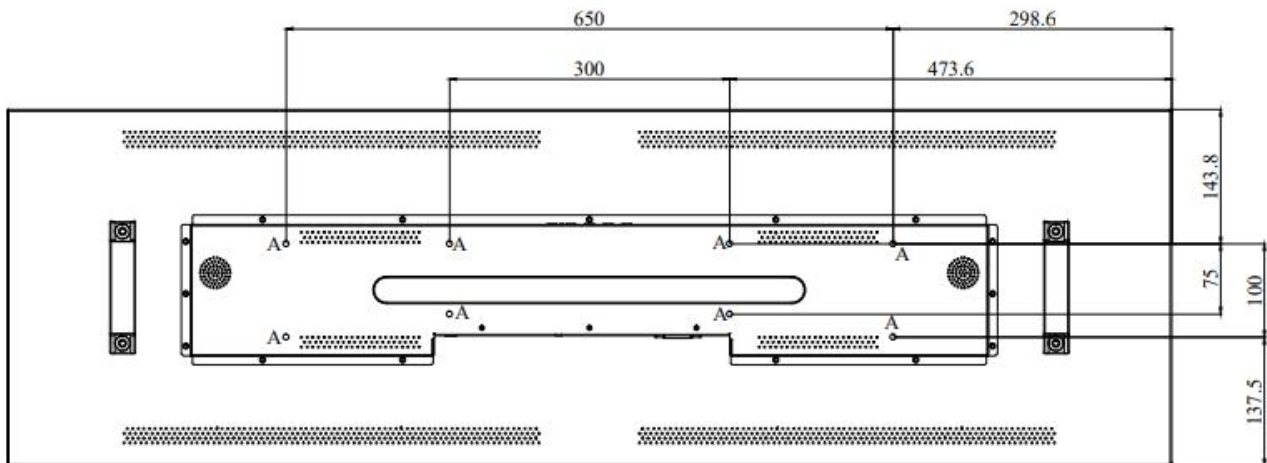
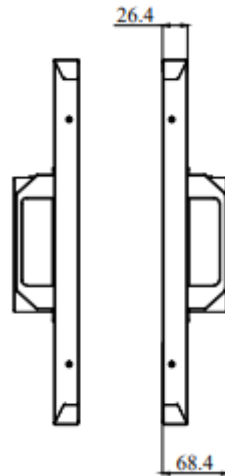


## Mechanical Drawing

### Outline Dimensions

Unit:mm





**NOTE :**

O.D. : OUTLINE DIMENSION

B.O. : BEZEL OPENING

A.A. : LCD ACTIVE AREA

A : 8-M6\_USER HOLE\_MAX Depth=8mm



### Ordering Information

| Part Number     | Description   |
|-----------------|---|
| SSD4959-INU-S11 | 49.5",1800nits,3840x1080,LID49C,AD68415HHP,O/B,AC100~240V,3in1,V1 |
|                 |   |

### Optional Accessories

| Part Number  | Description                          |
|--------------|--------------------------------------|
| 810618301010 | CABLE,POWER,AC,1830mm USA type       |
| 810618301090 | CABLE,POWER,AC,1830mm Europe type    |
| 810618301050 | CABLE,POWER,AC,1830mm UK type        |
| 810618301170 | CABLE,POWER,AC,1830mm Australia type |
| 810618301031 | CABLE,POWER,AC,1830mm Japan type     |
|              |                                      |

### Customer request

|       |                                       |
|-------|---------------------------------------|
| Touch | SCT (Single-Touch), PCT (Multi-Touch) |
| Glass | Tempered glass, AR coating.....       |
|       |                                       |