



SSD4225-Y V1

42.2" TFT LCD, 1000 nits LED Backlight , 1920x480 ultra-wide aspect ratio 16:4

The SSD4225-Y is a 42.2 inch color TFT-LCD display with special aspect ratio 16:4 and wide resolution 1920 x 480. It is Litemax's Spanpixel series product which designed for high brightness 1000 nits with power efficiency LED backlight. It provides LCD panel with specific aspect ratios and sunlight readable for digital signage, public transportation, exhibition hall, department store, and vending machine.

Key Features

- 42.2" Stretched LCD
- Ultra-Wide Screen (16 : 4)
- High Brightness 1000 nits
- LED Backlight
- LCD blacking defect free (Hi-Tni 110 °C)
- Low Power Consumption
- BL MTBF: 50,000 hours



Specifications

Model Name	SSD4225-Y V1
Description	42.2" TFT LCD, 1000 nits LED backlight, 1920x480
Screen Size	42.2"
Display Area (mm)	1039.68(H) x 259.92(V)
Brightness	1000 cd/m ²
Resolution	1920x480
Aspect Ratio	16 : 4
Contrast Ratio	4200 : 1
Pixel Pitch (mm)	0.54(H) x 0.54(V)
Pixel Pre Inch (PPI)	47
Viewing Angle	178°(H),178°(V)
Color Saturation (NTSC)	85%
Display Colors	16.7M
Response Time (Typical)	8ms
Panel Interface	LVDS
Input Interface	HDMI, DP
Input Power	DC 24V
Power Consumption	67W
OSD Key	4 Keys (Power Switch, Menu, +, -)
OSD Control	Brightness, Color, Contrast, Auto Turing, H/V Position...etc
Dimensions (mm)	1062.5(H) x 286.5(V) x 84.7 (T)
Bezel Size(U/B/L/R)	13.3/13.3/11.4/11.4 mm
Mounting	400x100
Weight (Net)	10.7kg
Operating Temperature	0 °C ~ 50 °C
Storage Temperature	-20 °C ~ 60 °C

SSD= Panel + LED Driving Board + AD Control Board + Housing

Specifications are subject to change without notice.

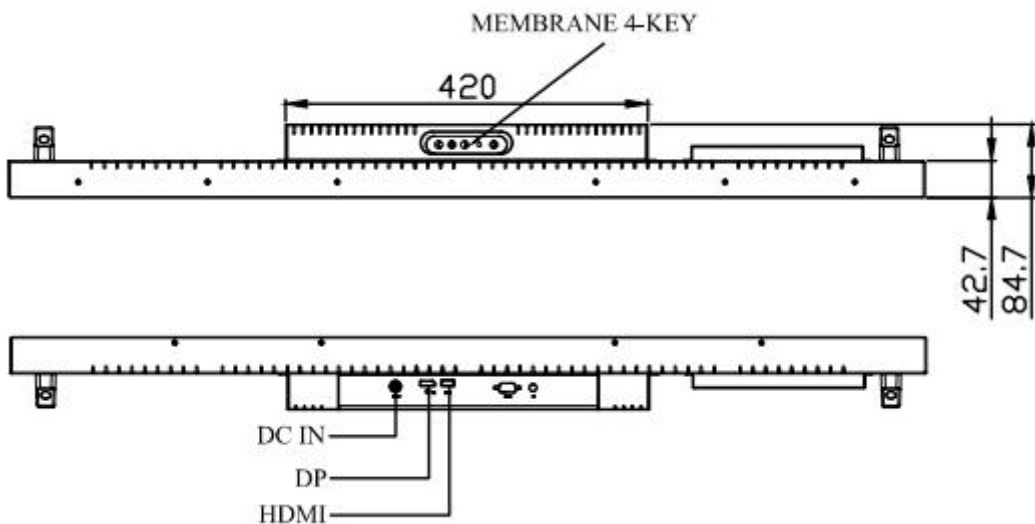
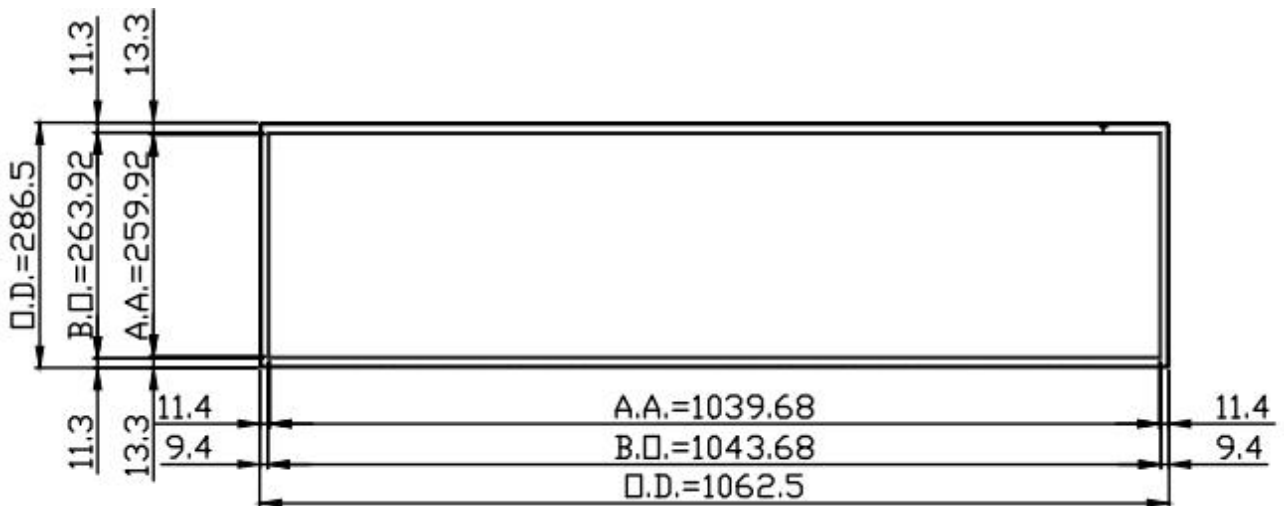
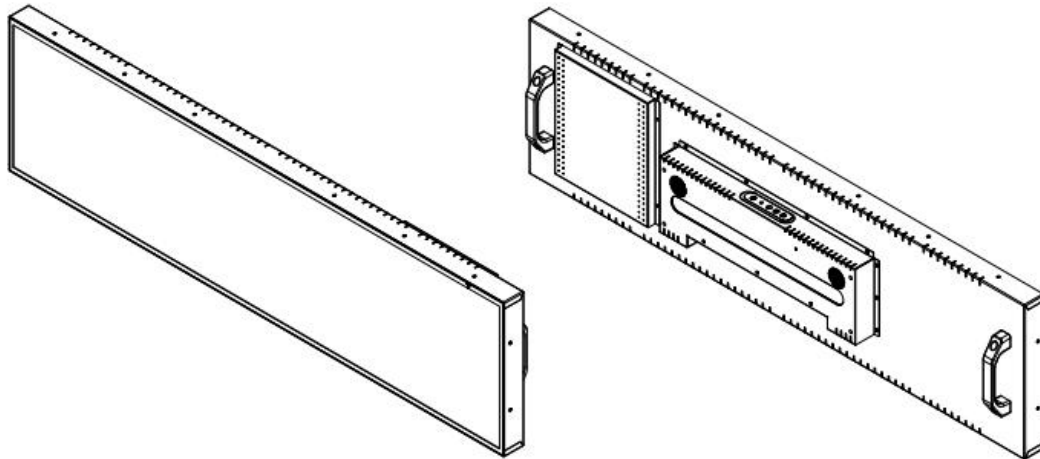
All brands or product names are trademarks or registered trademarks of their respective companies.

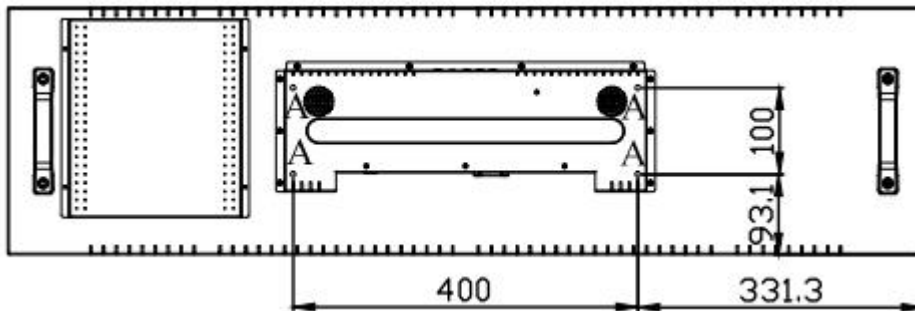
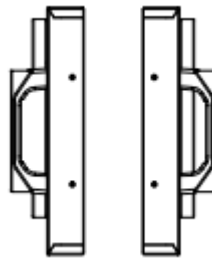


Mechanical Drawing

Outline Dimensions

Unit:mm





Note :
 O.D : Outline Dimension(mm)
 B.O : Bezel Opening
 A.A : LCD Active Area
 A:4-M6_USER HOLE_MAX DEPTH=8mm

Ordering Information

Part Number	Description
SSD4225-YNB-T11	42.2",1000nirs,1920x480.HTni,LID on LCM,AD68862HP.O/B,DC24V,3in1,V1

Optional Accessories

Part Number	Description
840613141200	ADAPTER,AC/DC,24V/7.5A,180W,FSP180-AAAN3,Power-Din,P
810618301010	CABLE,POWER,AC,1830mm USA type
810618301090	CABLE,POWER,AC,1830mm Europe type
810618301050	CABLE,POWER,AC,1830mm UK type
810618301170	CABLE,POWER,AC,1830mm Australia type
810618301031	CABLE,POWER,AC,1830mm Japan type

Customer request

Touch	SCT (Single-Touch), PCT (Multi-Touch)
Glass	Tempered glass, AR coating.....