



SSD4221-Y V1

42.2" TFT LCD, 3000 nits LED Backlight , 1920x480 ultra-wide aspect ratio 16:4

The SSD4221-Y is a 42.2 inch color TFT-LCD display with special aspect ratio 16:4 and wide resolution 1920 x 480. It is Litemax's Spanpixel series product which designed for high brightness 3000 nits with power efficiency LED backlight. It provides LCD panel with specific aspect ratios and sunlight readable for digital signage, public transportation, exhibition hall, department store, and vending machine.

Key Features

- 42.2" Stretched LCD
- Ultra-Wide Screen (16 : 4)
- High Brightness 3000 nits
- LED Backlight
- LCD blacking defect free (Hi-Tni 110 °C)
- Low Power Consumption
- BL MTBF: 100,000 hours



Specifications

| Model Name | SSD4221-Y V1 |
|-------------------------|--|
| Description | 42.2" TFT LCD, 3000 nits LED backlight, 1920x480 |
| Screen Size | 42.2" |
| Display Area (mm) | 1039.68(H) x 259.92(V) |
| Brightness | 3000 cd/m ² |
| Resolution | 1920x480 |
| Aspect Ratio | 16 : 4 |
| Contrast Ratio | 4600 : 1 |
| Pixel Pitch (mm) | 0.54(H) x 0.54(V) |
| Pixel Pre Inch (PPI) | 47 |
| Viewing Angle | 178°(H),178°(V) |
| Color Saturation (NTSC) | 86% |
| Display Colors | 16.7M |
| Response Time (Typical) | 8ms |
| Panel Interface | LVDS |
| Input Interface | DVI-I,HDMI,DP |
| Input Power | DC 24V |
| Power Consumption | 132W |
| OSD Key | 4 Keys (Power Switch, Menu, +, -) |
| OSD Control | Brightness, Color, Contrast, Auto Turing, H/V Position...etc |
| Dimensions (mm) | 1072.8(H) x 296.9(V) x 66.1 (T) |
| Bezel Size(U/B/L/R) | 18.5/18.5/16.6/16.6 mm |
| Mounting | 400x100 |
| Weight (Net) | 10.5kg |
| Operating Temperature | 0 °C ~ 50 °C |
| Storage Temperature | -20 °C ~ 60 °C |

SSD= Panel + LED Driving Board + AD Control Board + Housing

Specifications are subject to change without notice.

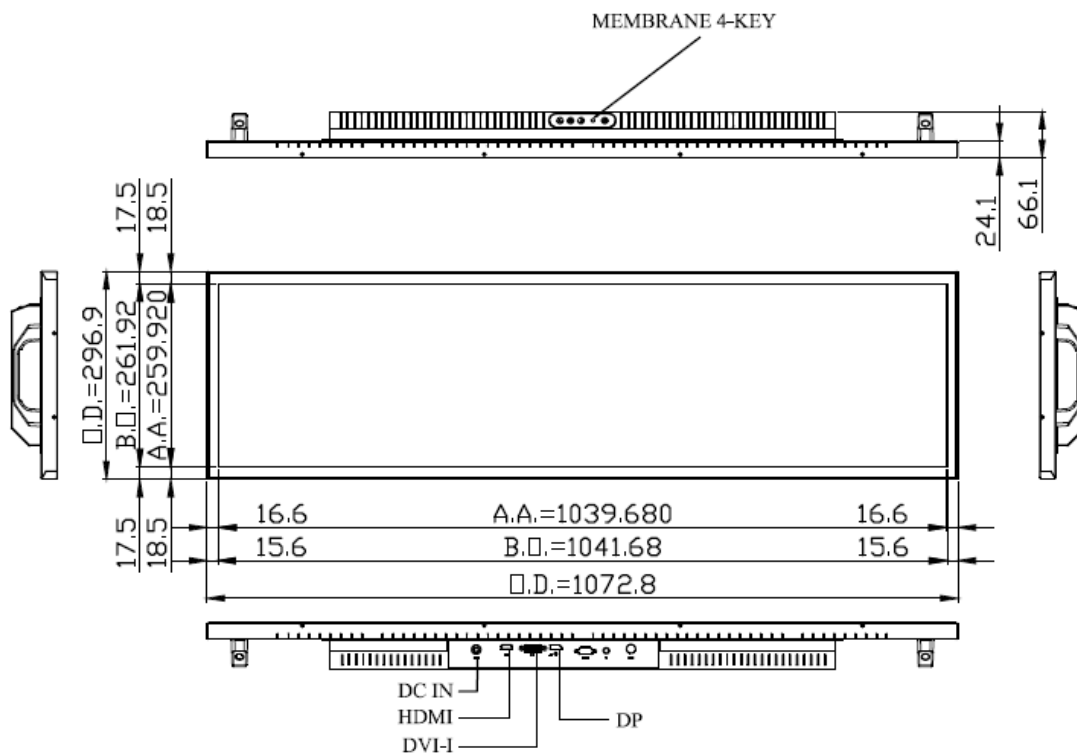
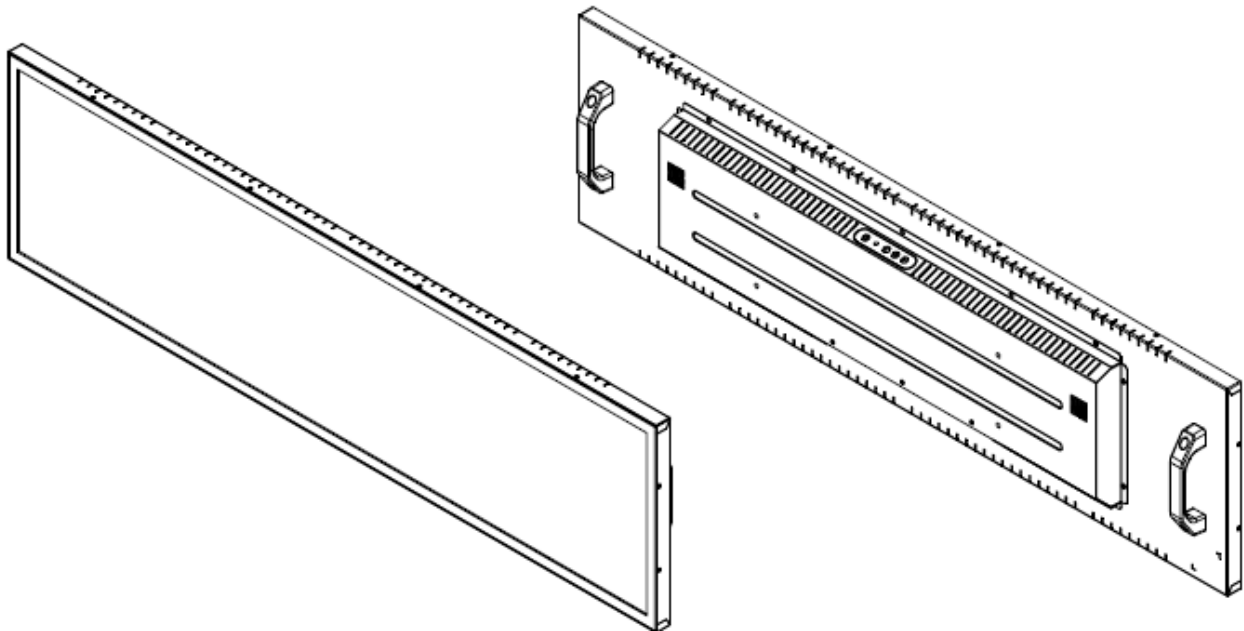
All brands or product names are trademarks or registered trademarks of their respective companies.

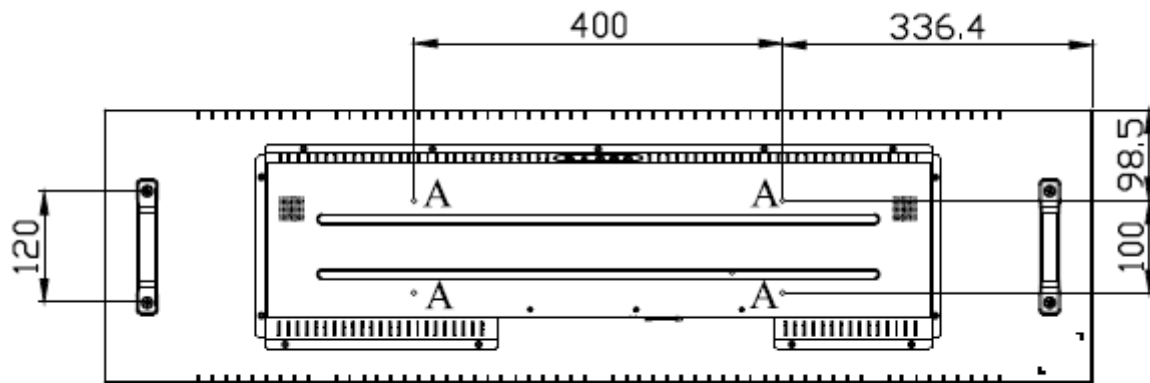


Mechanical Drawing

Outline Dimensions

Unit:mm





Note :

O.D : Outline Dimension(mm)

B.O : Bezel Opening

A.A : LCD Active Area

A:4-M6_USER HOLE_MAX DEPTH=6mm



Ordering Information

| Part Number | Description |
|-----------------|---|
| SSD4221-YNB-Q11 | 42.2",3000nits,1920x480,HTni,LID42C,AD8891DHP,O/B,DC24V,3in1,V1 |
| | |
| | |

Optional Accessories

| Part Number | Description |
|--------------|--|
| 840613141200 | ADAPTER,AC/DC,24V/7.5A,180W,FSP180-AAAN3,Power-Din,P |
| 810618301010 | CABLE,POWER,AC,1830mm USA type |
| 810618301090 | CABLE,POWER,AC,1830mm Europe type |
| 810618301050 | CABLE,POWER,AC,1830mm UK type |
| 810618301170 | CABLE,POWER,AC,1830mm Australia type |
| 810618301031 | CABLE,POWER,AC,1830mm Japan type |
| | |

Customer request

| | |
|-------|---------------------------------------|
| Touch | SCT (Single-Touch), PCT (Multi-Touch) |
| Glass | Tempered glass, AR coating..... |
| | |