



SSD3525-A V1

35.2" Resizing LCD, 1000 nits LED backlight, 1850 x 2160

The SSD3525-A is a 35.2 inch color TFT-LCD display with special aspect ratio 7.7:9 and wide resolution 1850 x 2160 . It is Litemax's Spanpixel series product which designed for high brightness 1000 nits with power efficiency LED backlight. It provides LCD panel with specific aspect ratios and sunlight readable for digital signage, public transportation, exhibition hall, department store, and vending machine.

Key Features

- Resizing LCD
- Square Screen (7.7 : 9)
- High Brightness 1000 nits
- Sunlight Readable
- LED Backlight
- BL MTBF: 100,000 hours



Specifications

Model Name	SSD3525-A V1
Description	35.2" Resizing LCD, 1000nits LED backlight, 1850x2160
Screen Size	35.2"
Display Area (mm)	582.750(H) x 680.400(V)
Brightness	1000 cd/m ²
Resolution	1850x2160
Aspect Ratio	7.7 : 9
Contrast Ratio	6200 : 1
Pixel Pitch (mm)	0.315(H) x 0.315(V)
Pixel Per Inch (PPI)	80
Viewing Angle	178°(H),178°(V)
Color Saturation (NTSC)	84%
Display Colors	1.07B
Response Time (Typical)	8ms
Panel Interface	V-by-One
AD Board Input Interface	DVI-D, HDMI, DP
Input Power	DC24V
Power Consumption	81W
OSD Key	5 Keys (Power Switch, Menu, +, Exit, -)
OSD Control	Brightness, Color, Contrast, Auto Turing, H/V Position...etc
Dimensions (mm)	633 x 714.4 x 74.7
Bezel Size(U/B/L/R)	15.7/18.4/25.1/25.1 mm
Weight (Net)	15.3kg
Mounting	400x300, 400x200
Operating Temperature	0 °C ~ 50 °C
Storage Temperature	-20 °C ~ 60 °C

SSD= Panel + LED Driving Board + AD Control Board + Housing

Specifications are subject to change without notice.

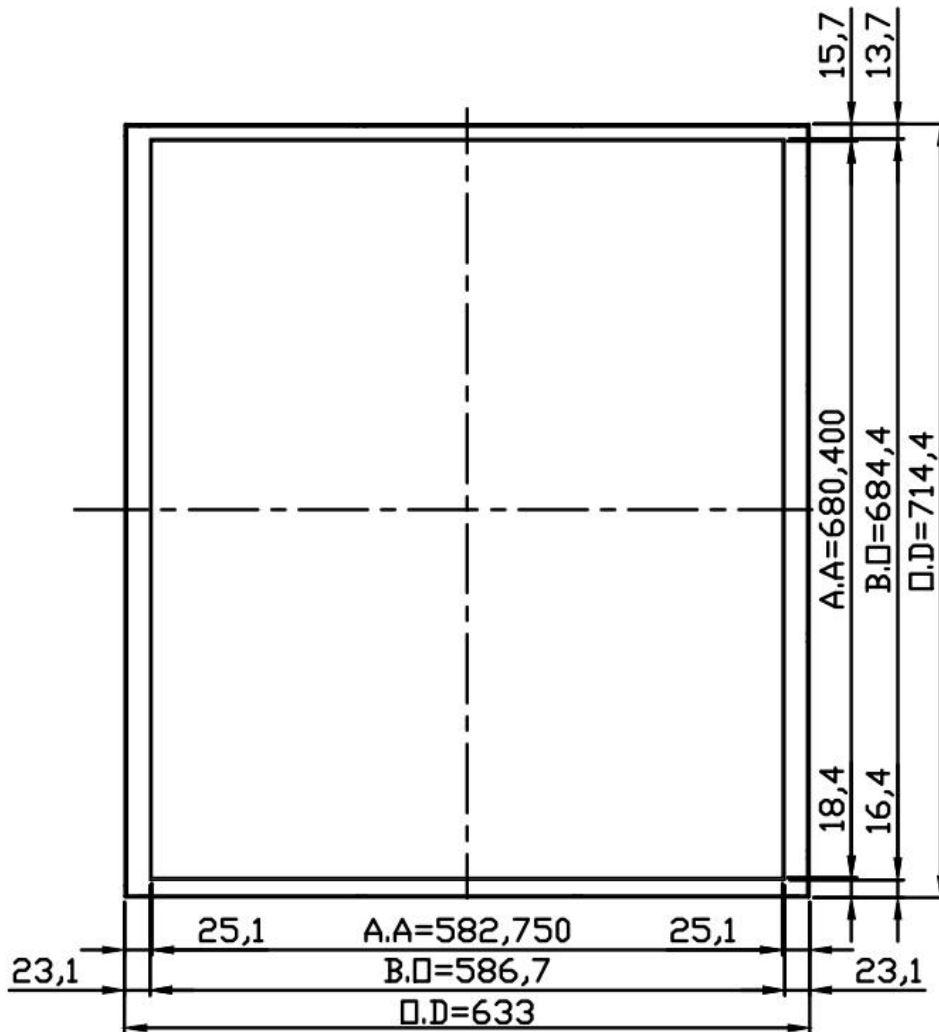
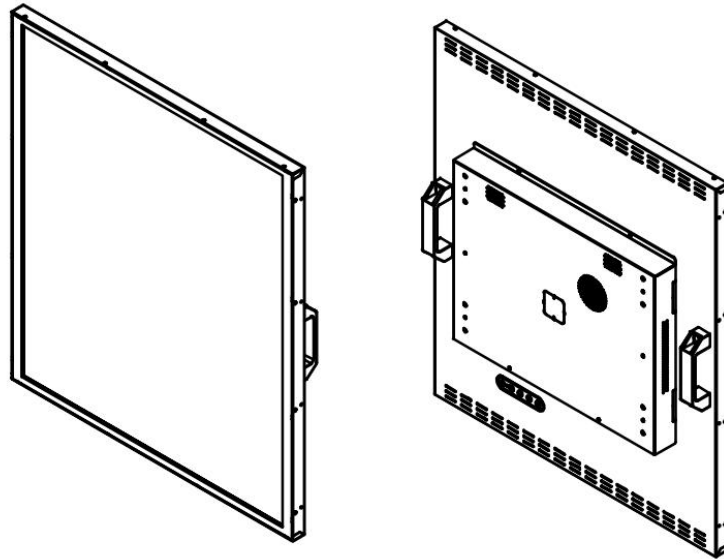
All brands or product names are trademarks or registered trademarks of their respective companies.

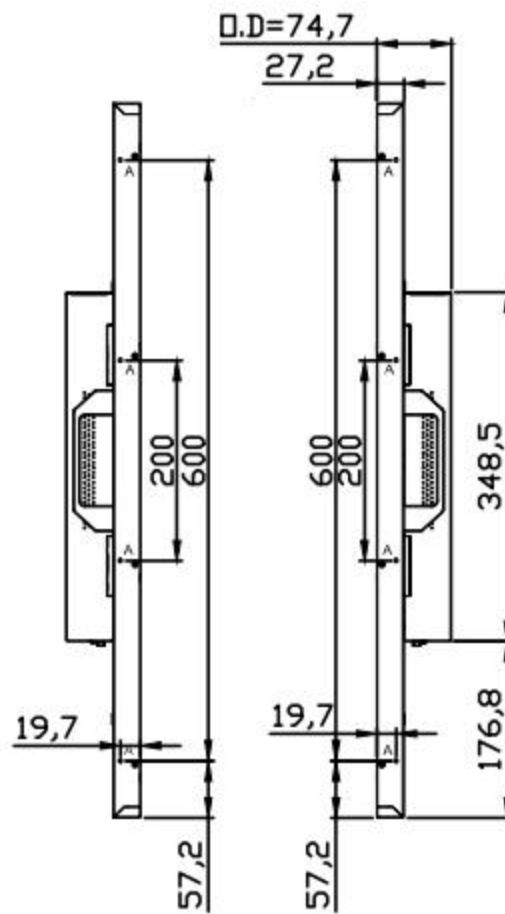
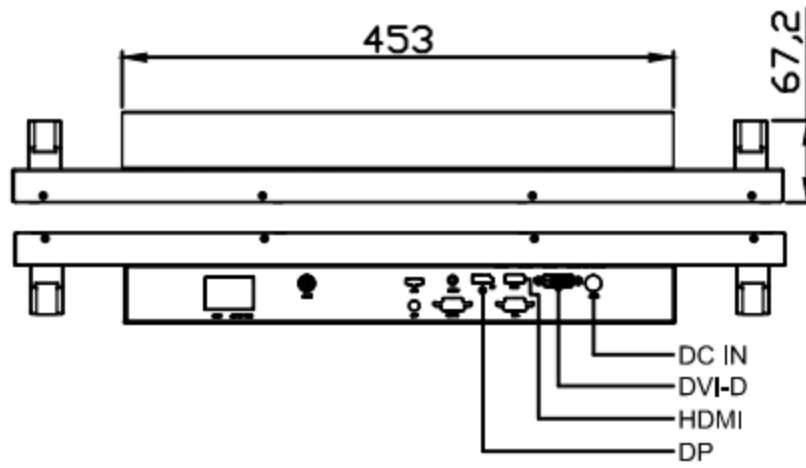


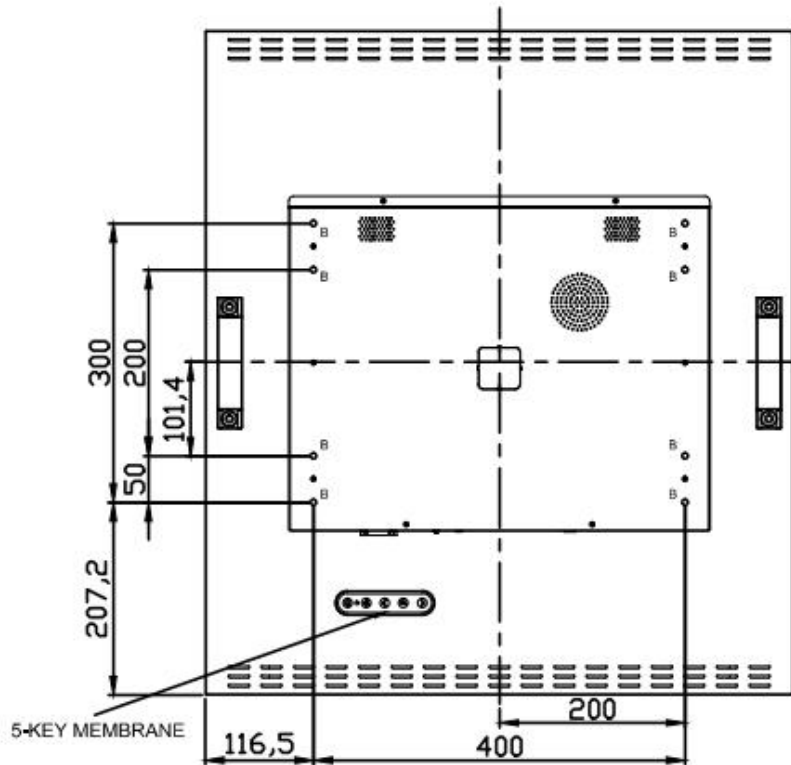
Mechanical Drawing

Outline Dimensions

Unit: mm







Note :

O.D : Outline Dimension

B.O : Bezel Opening

A.A : LCD Active Area

A:8-M4_USER_HOLE_MAX_DEPTH=10mm

B:8-M6_USER_HOLE_MAX_DEPTH=20mm

Ordering Information

Part Number	Description
SSD3525-ANU-N01	35.2",1000nits,1850*2160,LID35C,AD2796DHP,O/B,DC24V,V1

Optional Accessories

Part Number	Description
810618301010	CABLE,POWER,AC,1830mm USA type
810618301090	CABLE,POWER,AC,1830mm Europe type
810618301050	CABLE,POWER,AC,1830mm UK type
810618301170	CABLE,POWER,AC,1830mm Australia type
810618301031	CABLE,POWER,AC,1830mm Japan type

By Customer Request

Glass	Tempered glass, AR coating.....
-------	---------------------------------