



## SSD2861-Y

### 28.6" TFT LCD, 3200 nits LED Backlight, 1920x540 ultra wide aspect ratio 16:4.5

The SSD2861-Y is a 28.6 inch color TFT-LCD display with special aspect ratio 16:4.5 and wide resolution 1920 x 540. It is Litemax's Spanpixel series product which designed for high brightness with power efficiency LED backlight. It provides LCD panel with specific aspect ratios and sunlight readable for digital signage, public transportation, exhibition hall, department store, and vending machine.

#### Key Features

- Ultra Wide Screen 16:4.5
- High Brightness 3200 nits
- Sunlight Readable
- LED Backlight
- Low Power Consumption
- LCD Blacking Defect Free(Hi-Tni 110 °C)
- BL MTBF: 100,000 hours



### Specifications

| Model Name              | SSD2861-Y  |
|-------------------------|--|
| Description             | 28.6" TFT LCD, 3200nits LED Backlight, 1920x540              |
| Screen Size             | 28.6"  |
| Display Area (mm)       | 698.400(H) x 196.425(V)                                      |
| Brightness              | 3200 cd/m <sup>2</sup>                                       |
| Resolution              | 1920x540   |
| Aspect Ratio            | 16:4.5   |
| Contrast Ratio          | 6000 : 1   |
| Pixel Pitch (mm)        | 0.3637(H) x 0.3637 (V)                                       |
| Pixel Pre Inch (PPI)    | 70   |
| Viewing Angle           | 178°(H),178°(V)  |
| Color Saturation (NTSC) | 84%  |
| Display Colors          | 16.7M  |
| Response Time (Typical) | 8ms  |
| Panel Interface         | LVDS   |
| Input Interface         | DVI-I, HDMI, DP  |
| Input Power             | DC24V  |
| Power Consumption       | 60W  |
| OSD Key                 | 4 Keys (Power Switch, Menu, +, -)                            |
| OSD Control             | Brightness, Color, Contrast, Auto Turing, H/V Position...etc |
| Dimensions (mm)         | 734.5x 232.5x 60.1 (T)                                       |
| Bezel Size(U/B/L/R)     | 18/18/18/18 mm   |
| Mounting                | 400x75 mm  |
| Weight (Net)            | 5.6Kg  |
| Operating Temperature   | -20 °C ~ 60 °C   |
| Storage Temperature     | -20 °C ~ 60 °C   |

SSD= Panel + LED Driving Board + AD Control Board + Chassis

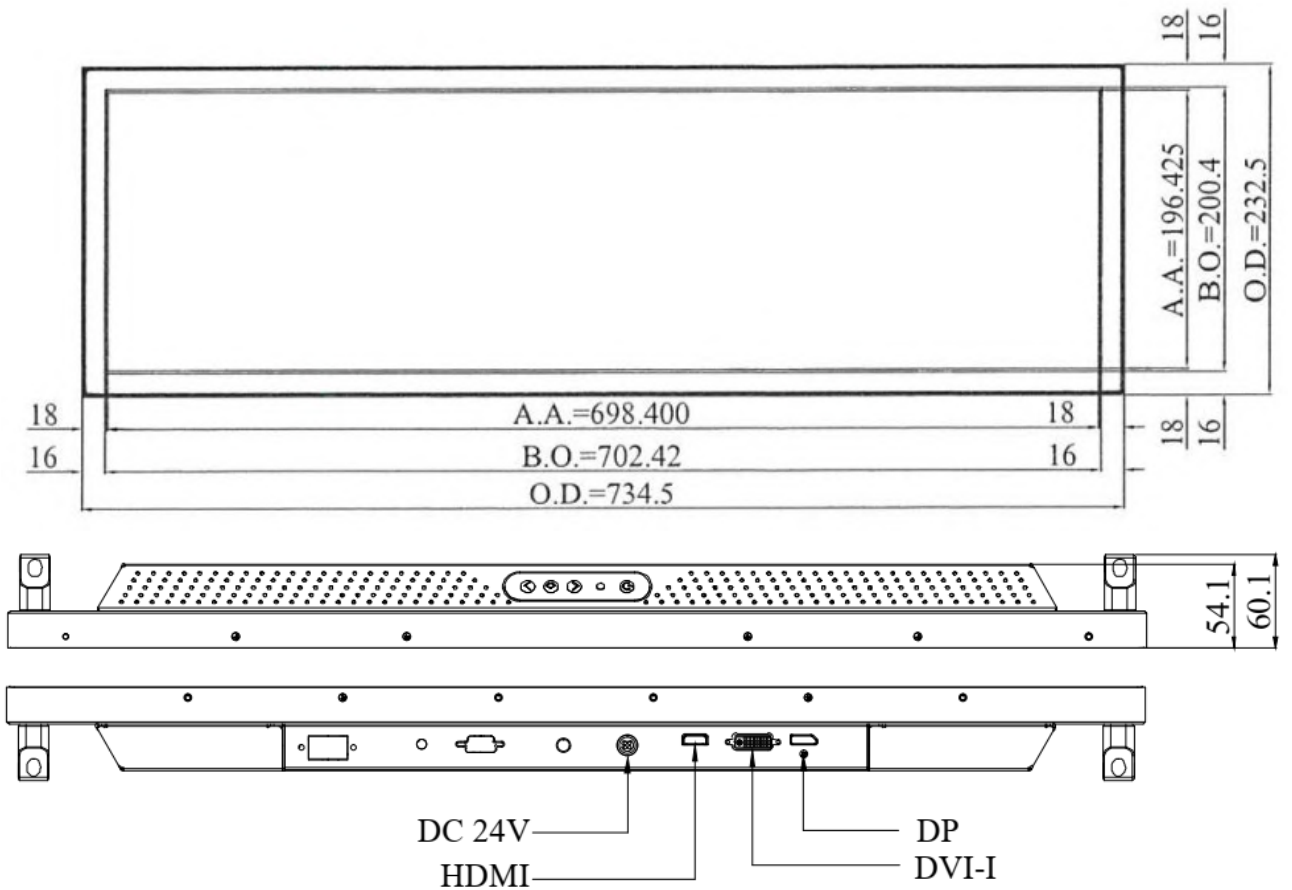
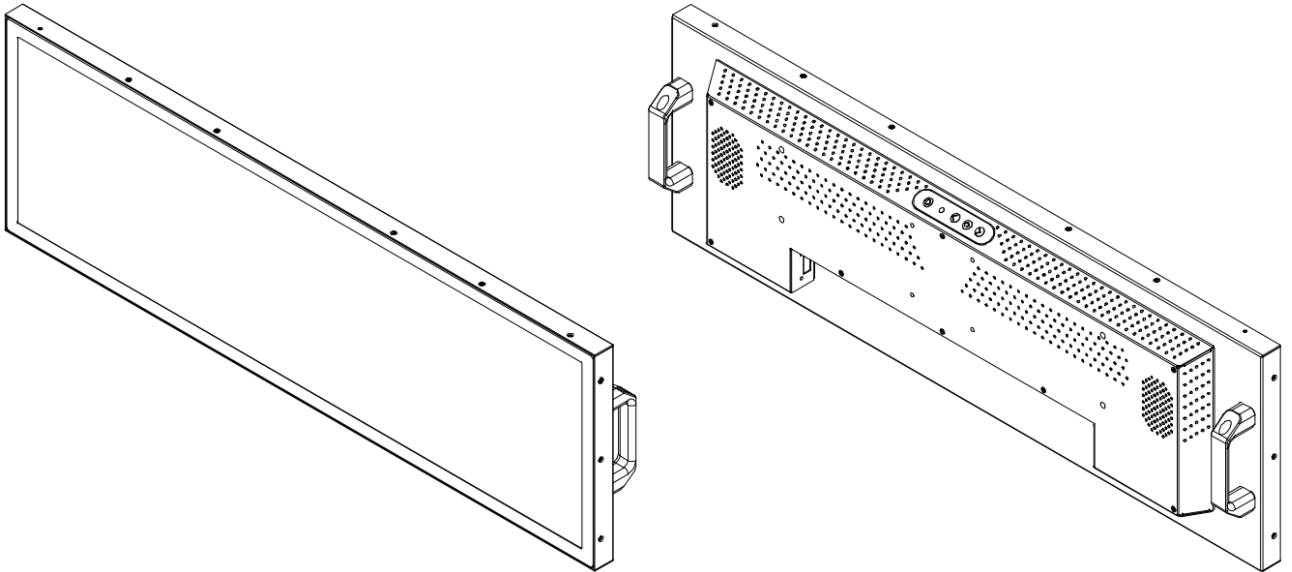
*Specifications are subject to change without notice.  
All brands or product names are trademarks or registered trademarks of their respective companies.*

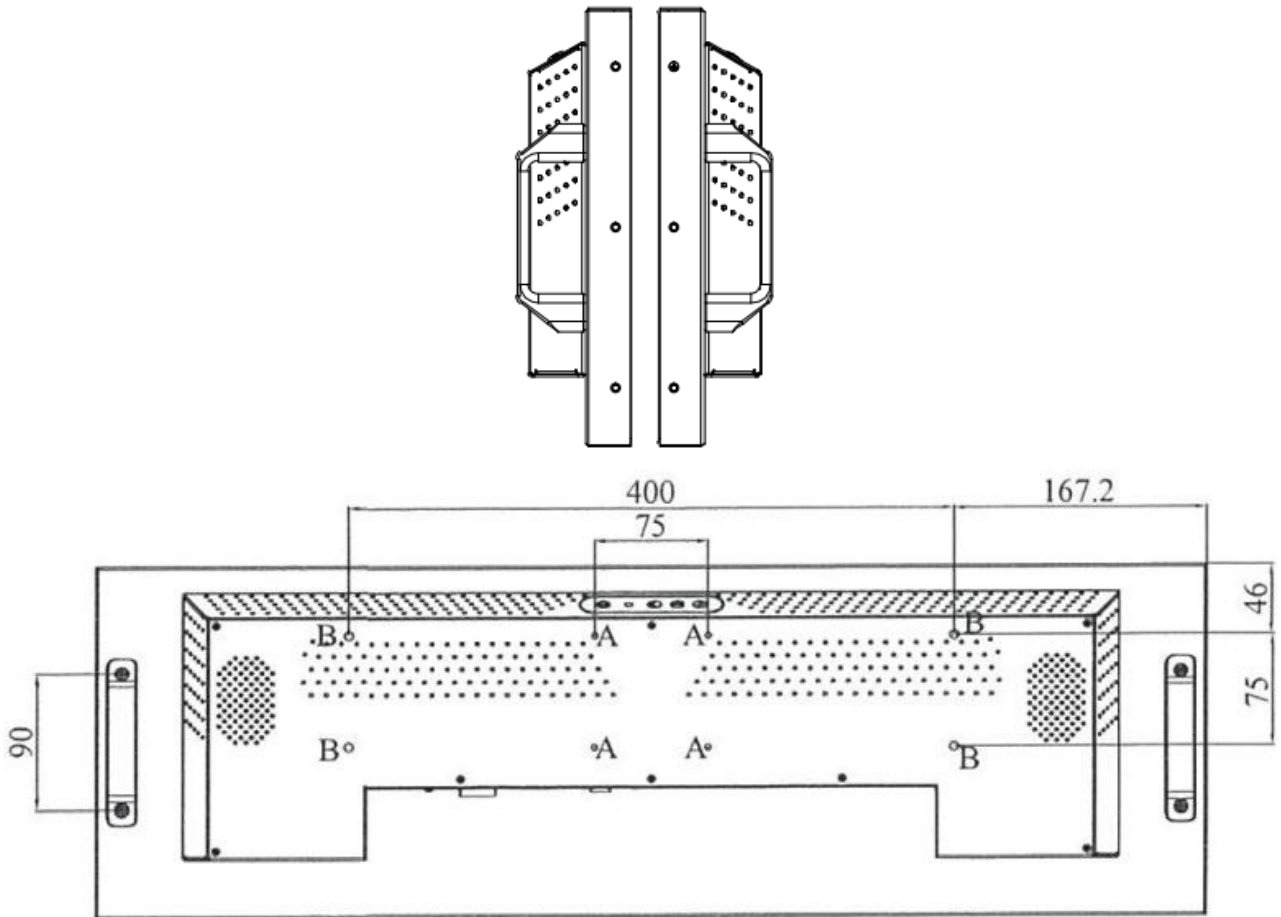


## Mechanical Drawing

### Outline Dimensions

Unit:mm





## NOTE :

O.D. : OUTLINE DIMENSION(mm)

B.O. : BEZEL OPENING

A.A. : LCD ACTIVE AREA

A : 4-M4\_VESA HOLE\_Max Depth=5 mm

B : 4-M6\_VESA HOLE\_Max Depth=7 mm



### Ordering Information

| Part Number     | Description   |
|-----------------|---|
| SSD2861-YNB-Q11 | 28.6",3200nits,1920*540,HTni,LID29C,AD8891DHP,O/B,DC24V,3in1,V1 |

### Optional Accessories

| Part Number  | Description                          |
|--------------|--------------------------------------|
| 810618301010 | CABLE,POWER,AC,1830mm USA type       |
| 810618301090 | CABLE,POWER,AC,1830mm Europe type    |
| 810618301050 | CABLE,POWER,AC,1830mm UK type        |
| 810618301170 | CABLE,POWER,AC,1830mm Australia type |
| 810618301031 | CABLE,POWER,AC,1830mm Japan type     |

### Customer request

|       |                                       |
|-------|---------------------------------------|
| Touch | SCT (Single-Touch), PCT (Multi-Touch) |
| Glass | Tempered glass, AR coating.....       |
|       |                                       |