



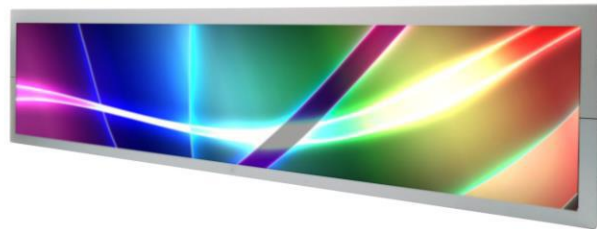
SSD2805-Y V1

28" LCD, 1000 nits LED backlight, 1920 x 360 ultra-wide aspect ratio 16:3

The SSD2805-Y is a 28 inch color TFT-LCD display with special aspect ratio 16:3 and wide resolution 1920 x 360. It is Litemax's Spanixel series product which designed for high brightness 1000 nits with power efficiency LED backlight. It provides LCD panel with specific aspect ratios and sunlight readable for digital signage, public transportation, exhibition hall, department store, and vending machine.

Key Features

- Ultra-Wide Screen (16: 3)
- High Brightness 1000 nits
- Sunlight Readable
- LED Backlight
- Low Power Consumption



Specifications

Model Name	SSD2805-Y V1
Description	28" LCD, 1000 nits LED backlight, 1920x360
Screen Size	28"
Display Area (mm)	699.8(H) x 131.2(V)
Brightness	1000 cd/m ²
Resolution	1920x360
Aspect Ratio	16 : 3
Contrast Ratio	1000 : 1
Pixel Pitch (mm)	0.3645 (H) x 0.3645(V)
Pixel Per Inch (PPI)	70
Viewing Angle	178°(H), 178°(V)
Color Saturation (NTSC)	88%
Display Colors	16.7M
Response Time (Typical)	8ms
Panel Interface	LVDS
AD Board Input Interface	VGA, DVI-D, HDMI
Input Power	DC12V
Power Consumption	25W
OSD Key	4 Keys (Power Switch, Menu, +, -)
OSD Control	Brightness, Color, Contrast, Auto Turing, H/V Position...etc
Dimensions (mm)	737x 170 x 57.9
Bezel Size(U/B/L/R)	18.2/18.2/17.5/17.5 mm
Mounting	75x75, 400x75
Weight (Net)	5.4 kg
Operating Temperature	0 °C ~ 50 °C
Storage Temperature	-20 °C ~ 60 °C

SSD= Panel+ LED Driving Board + AD Control Board + Housing

Specifications are subject to change without notice.

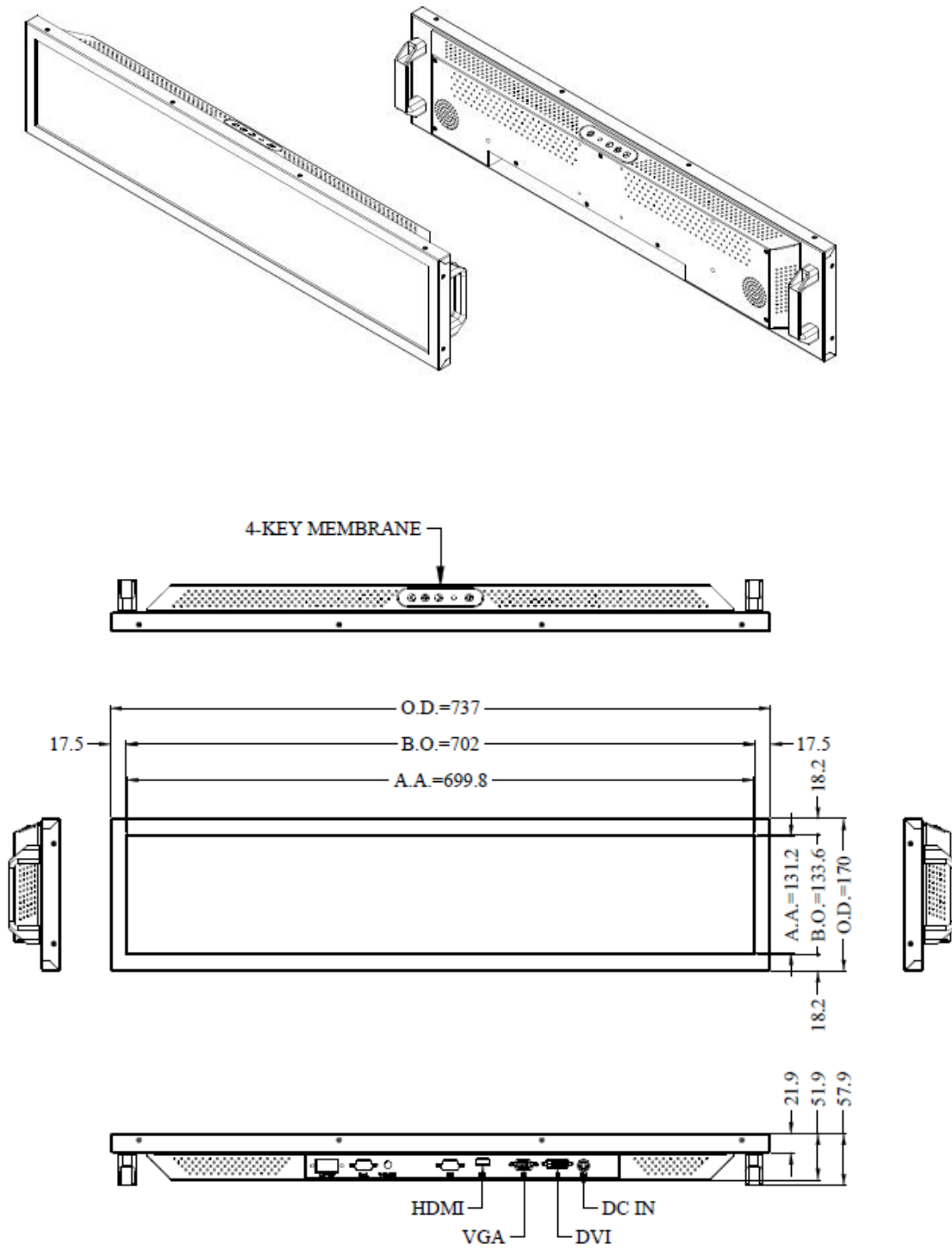
All brands or product names are trademarks or registered trademarks of their respective companies.

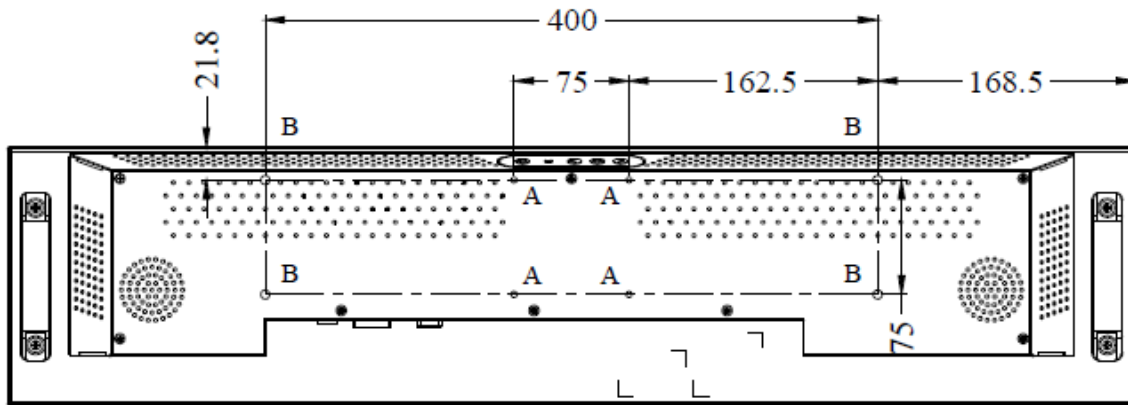


Mechanical Drawing

Outline Dimensions

Unit:mm





NOTE :

O.D. : OUTLINE DIMENSION

B.O. : BEZEL OPENING

A.A. : LCD ACTIVE AREA

A : 4-M4_USER HOLE_MAX DEPTH=5 mm

B : 4-M6_USER HOLE_MAX DEPTH=5 mm



Ordering Information

Part Number	Description
SSD2805-YNB-G01	28",1000nits,1920*360,LID28C,AD2662GDH,O/B,DC12V,3in1,V1

Optional Accessories

Part Number	Description
810618301010	CABLE.POWER.AC.1830mm USA type
810618301090	CABLE,POWER,AC,1830mm Europe type
810618301050	CABLE.POWER.AC.1830mm UK type
810618301170	CABLE.POWER,AC,1830mm Australia type
810618301031	CABLE.POWER.AC.1830mm Japan type

Customer request

Glass	Tempered glass, AR coating.....
Touch	PCT