



SSD2805-A 28" Resizing LCD, 1000 nits LED backlight, 1920 x360

The SSD2805-A is a 28 inch color TFT-LCD display with high brightness 1000 nits and high color saturation. it produce sharp images, crisp text and lifelike colors. The Spanpixel LED backlight technology ensures high reliability and low power consumption, suitable for outdoor application, kiosk, factory automation, military, transportation and gaming application.

Key Features

- 28" Resizing LCD
- Ultra-Wide Screen (16 : 3)
- High Brightness 1000 nits
- LED Backlight
- Wide viewing angle 178°(H)~ 178°(V)
- Low Power Consumption
- BL MTBF: 30,000 hours



Specifications

Model Name	SSD2805-A
Description	28" Resizing LCD, 1000 nits LED backlight, 1920x360
Screen Size	28"
Display Area (mm)	698.40(H) x 130.95(V)
Brightness	1000 cd/m ²
Resolution	1920x360
Aspect Ratio	16 : 3
Contrast Ratio	5400 : 1
Pixel Pitch (mm)	0.36375(H) x 0.36375(V)
Pixel Per Inch (PPI)	70
Viewing Angle	178°(H),178°(V)
Color Saturation (NTSC)	87%
Display Colors	16.7M
Response Time (Typical)	6.5ms
Panel Interface	LVDS
Video Interface	VGA, DVI-D, HDMI
Input Power	DC12V
Power Consumption	25.5W
OSD Key	4 Keys (Power Switch, Menu, +, -)
OSD Control	Brightness, Color, Contrast, Auto Turing, H/V Position...etc
Dimensions (mm)	737 x 170 x 57.9
Bezel Size(U/B/L/R)	19.5/19.53/19.3/19.3
Mounting (mm)	75x75, 400x75
Weight (Net)	5.4 kg
Operating Temperature	0 °C ~ 50 °C
Storage Temperature	-20 °C ~ 60 °C

SSD= Panel + LED Driving Board + AD Control Board + Housing

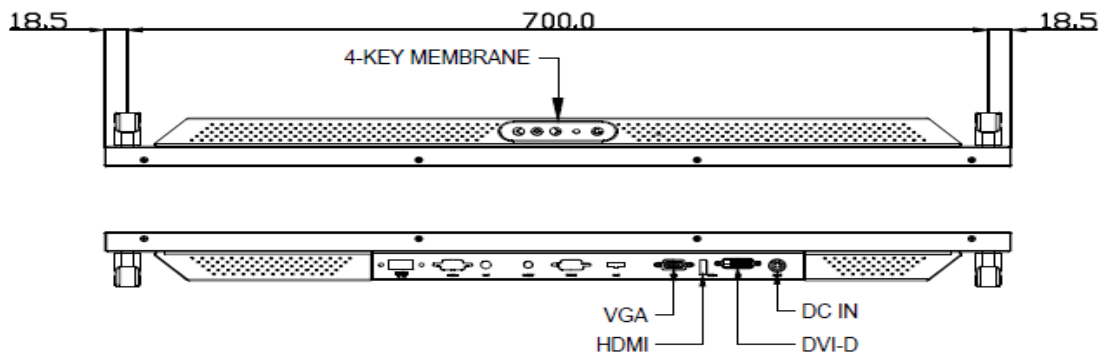
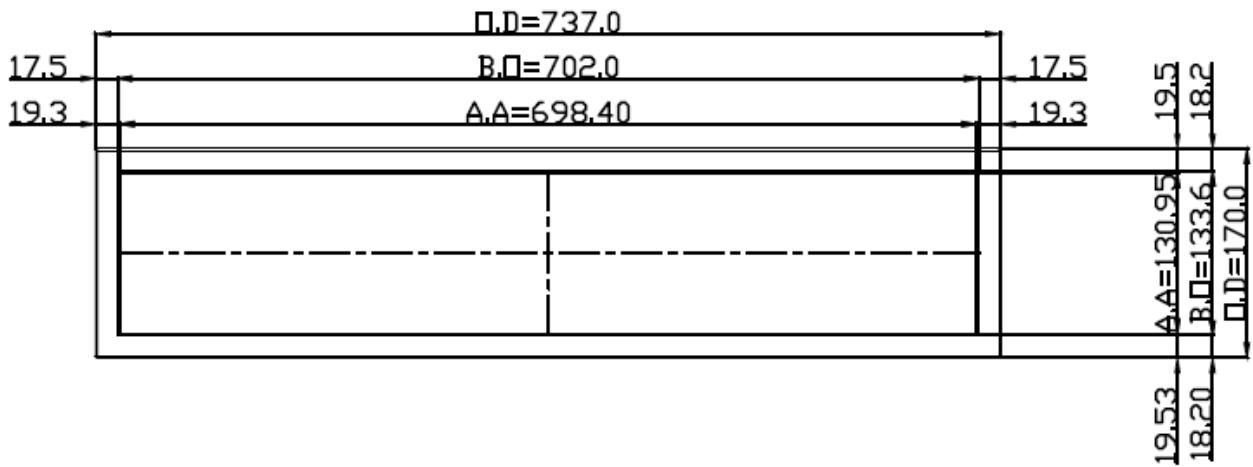
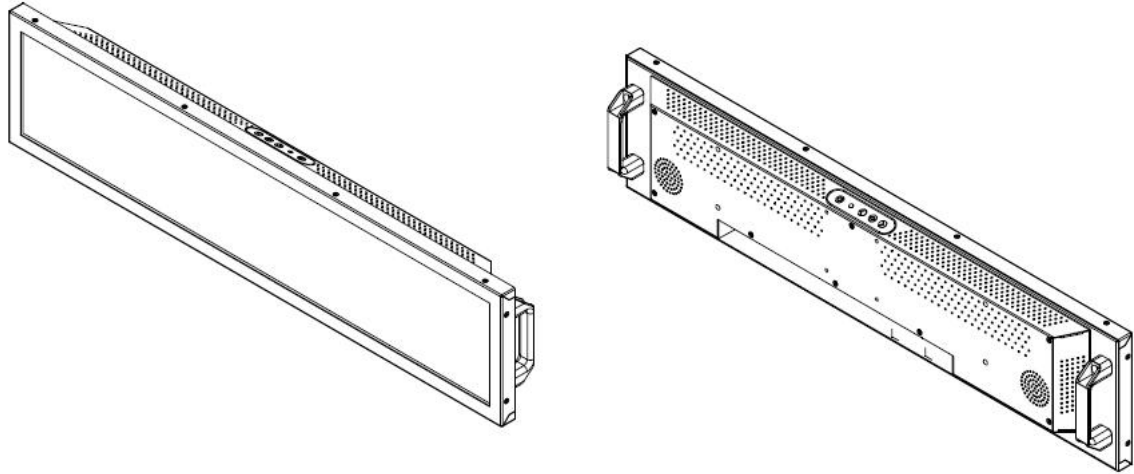
Specifications are subject to change without notice.
All brands or product names are trademarks or registered trademarks of their respective companies.

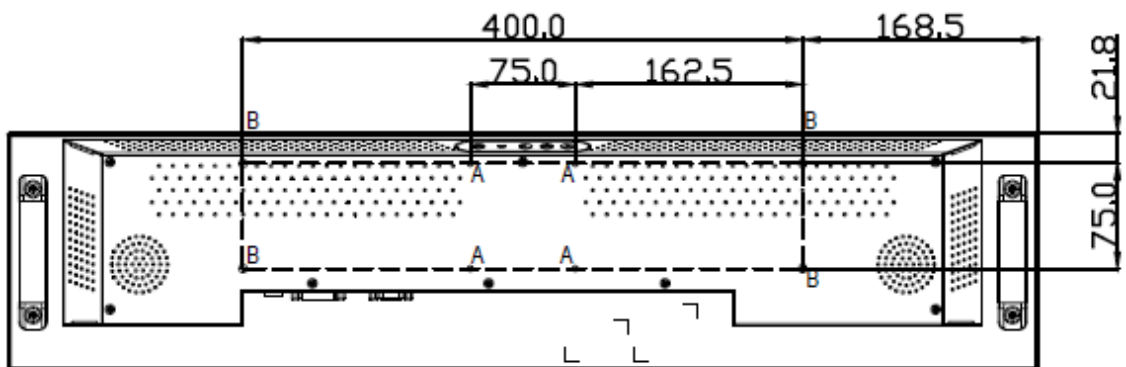
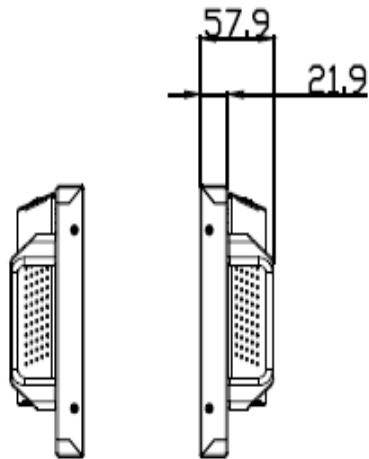


Mechanical Drawing

Outline Dimensions

Unit: mm





Note :

O.D. : OUTLINE DIMENSION

B.O. : BEZEL OPENING

A.A. : LCD ACTIVE AREA

A : 4-M4_USER HOLE_MAX DEPTH=4 mm

B : 4-M6_USER HOLE_MAX DEPTH=4 mm



Ordering Information

Part Number	Description
SSD2805-ANB-Q11	28", 1000nits, 1920x360, P6.1, LID28C, AD8891GDH, O/B, DC12V, 3in1, V1

Optional Accessories

Part Number	Description
810618301010	CABLE.POWER.AC.1830mm USA type
810618301090	CABLE,POWER,AC,1830mm Europe type
810618301050	CABLE.POWER.AC.1830mm UK type
810618301170	CABLE.POWER,AC,1830mm Australia type
810618301031	CABLE.POWER.AC.1830mm Japan type

By Customer Request

Glass	Tempered glass, AR coating.....
Touch	PCT, SCT, Resistive.....