



SSD1945-BNW

19.4" TFT LCD, 1000 nits LED backlight, 1920x536, MaxRGB

The **SSD1945-BNW** is a 19.4 inch industrial grade sunlight readable LCD, with high brightness 1000 nits and high color saturation, it produce sharp images, crisp text and lifelike colors. The Spanpixel LED backlight technology ensures high reliability and low power consumption, suitable for outdoor application, kiosk, factory automation, military, transportation and gaming application.

Key Features

- Ultra-Wide Screen (16 : 4.5)
- High Brightness 1000 nits
- High Color Saturation
- Wide viewing angle 178°(H)~ 178°(V)
- Wide temperature (-20°C~+70°C)
- Low Power Consumption
- BL MTBF: 100,000 hours



Specifications

Model Name	SSD1945-BNW
Description	19.4" LCD, 1000 nits LED backlight, MaxRGB, 1920x536
Screen Size	19.4"
Display Area (mm)	476.064(H) x 132.901(V)
Brightness	1000 cd/m ²
Resolution	1920x536
Aspect Ratio	16 : 4.5
Contrast Ratio	1300 : 1
Pixel Pitch (mm)	0.248(H) x 0.248(V)
Pixel Per Inch (PPI)	102
Viewing Angle	178°(H),178°(V)
Color Saturation (NTSC)	92%
Display Colors	16.7M
Response Time (Typical)	20ms
Panel Interface	LVDS
Video Interface	DP
Input Power	DC12V
Power Consumption	23.9W
OSD Key	4 Keys (Power Switch, Menu, +, -)
OSD Control	Brightness, Color, Contrast, Auto Turing, H/V Position...etc
Dimensions (mm)	499.6 x 152.3 x 31.8
Bezel Size(U/B/L/R)	12.38/7.02/11.77/11.77
Weight (Net)	1.9kg
Mounting	132x480
Operating Temperature	-20 °C ~ 70 °C
Storage Temperature	-30 °C ~ 80 °C

SSD= Panel + LED Driving Board + AD Control Board + Housing

Specifications are subject to change without notice.

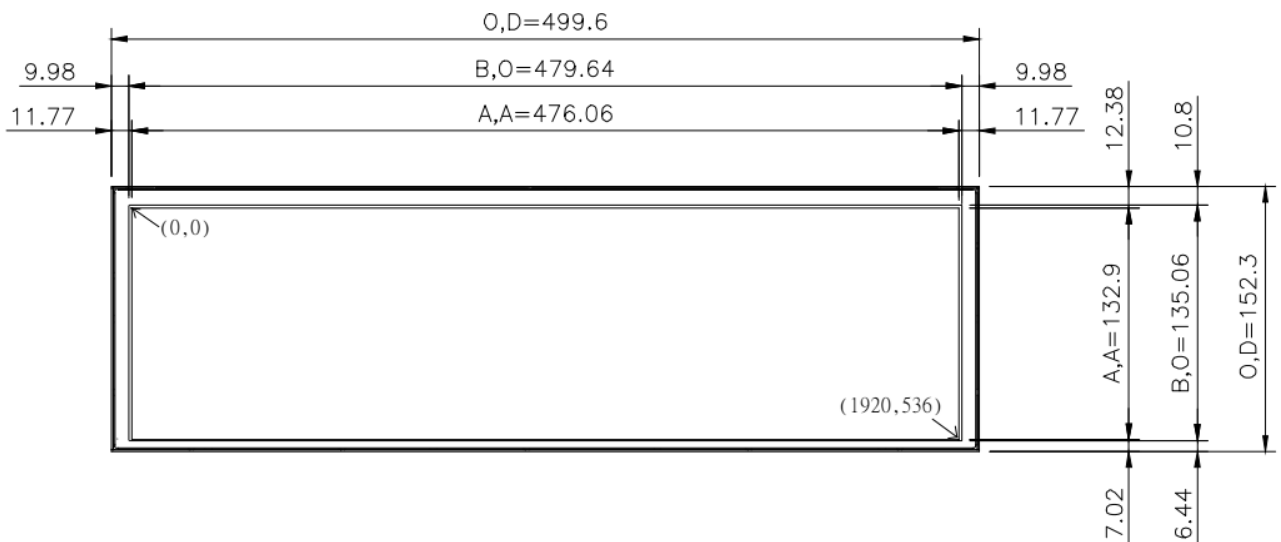
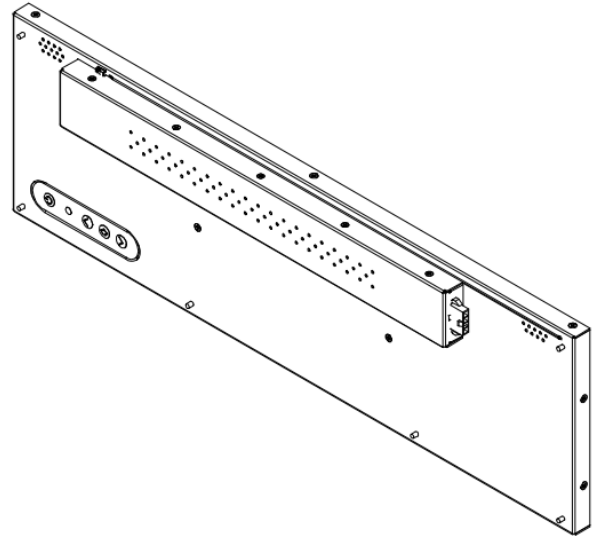
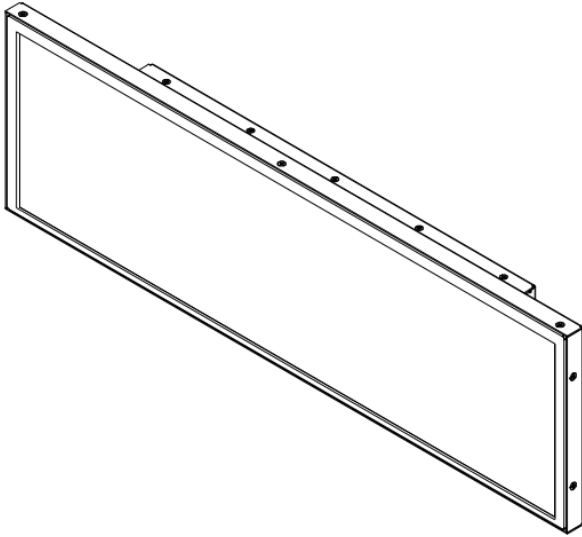
All brands or product names are trademarks or registered trademarks of their respective companies.

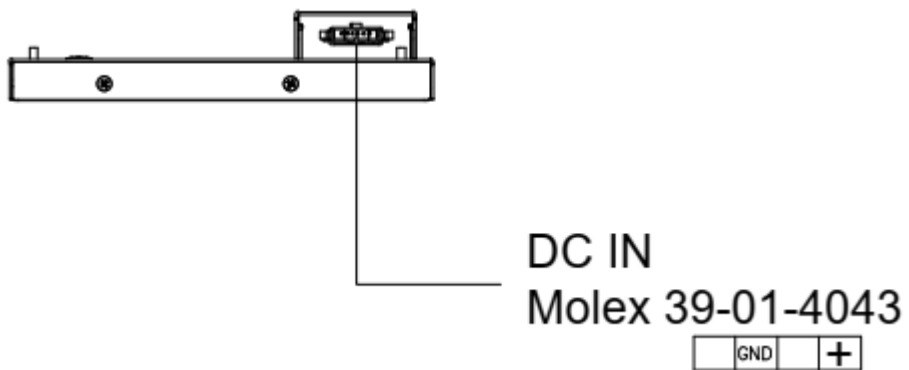
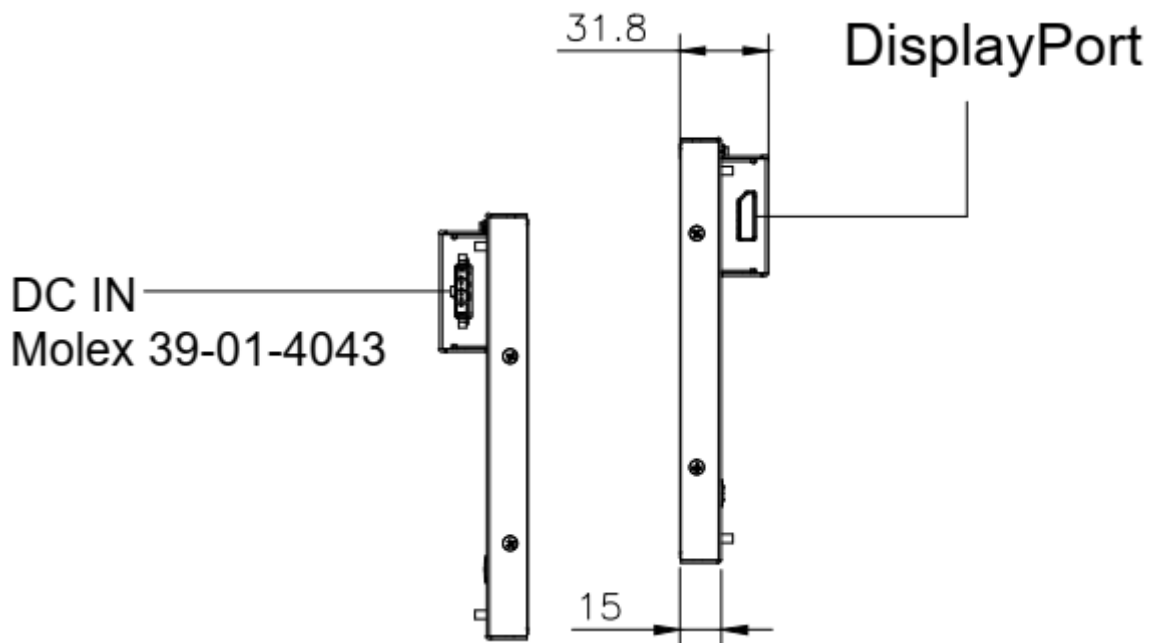
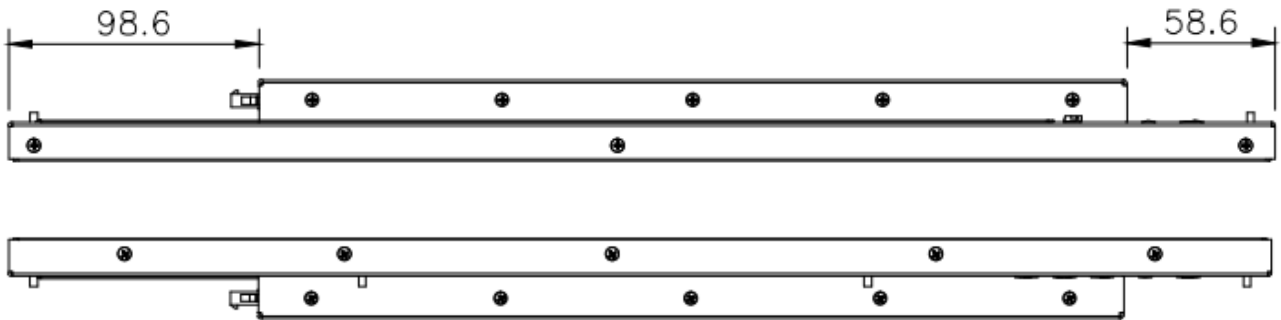


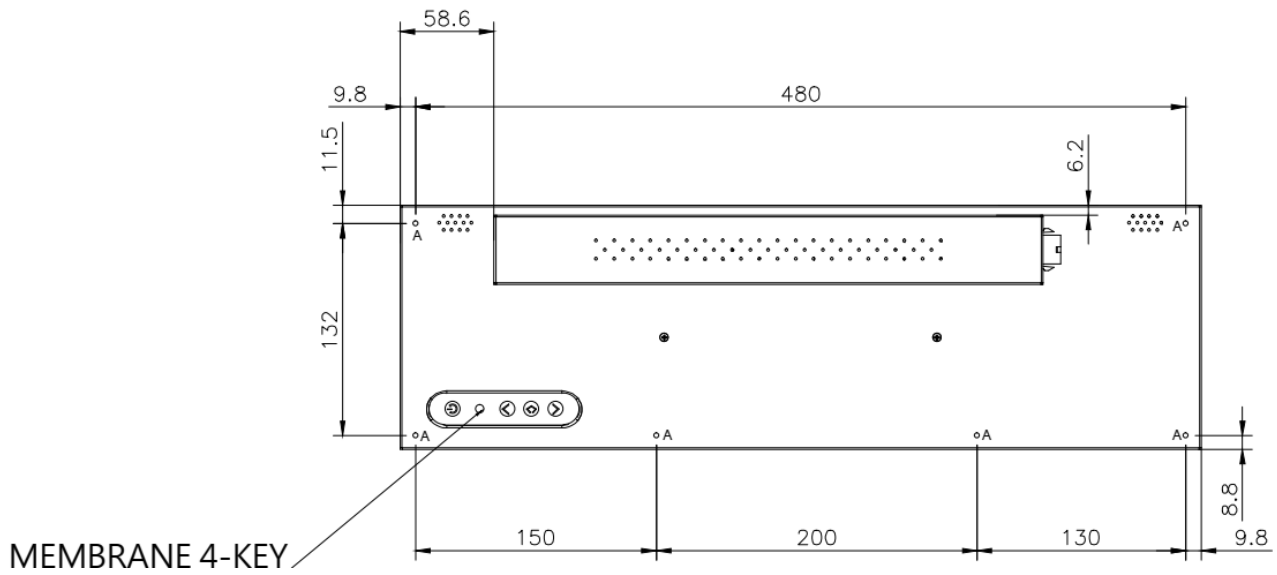
Mechanical Drawing

Outline Dimensions

Unit:mm







Note :
 O.D. : Outline Dimension
 B.O. : Bezel Opening
 A.A. : LCD Active Area

Ordering Information

Part Number	Description
SSD1945-BNW-Q11	19.4",1000nits,1920*536,T2070,MaxRGB,AD8891P w/LID,O/B,DC12V,10in1,V1

Optional Accessories

Part Number	Description
840612051104	ADAPTER.12V.5A.60W.G99-CAD060F-N001,DC Plug,2.1*5.5mm,P
800400603001	CABLE,POWER,DC,200mm,UL1185.MOLEX 4.2mm 4P TO DC JACK,ATI,R
810618301010	CABLE.POWER.AC.1830mm USA type
810618301090	CABLE,POWER,AC,1830mm Europe type
810618301050	CABLE.POWER.AC.1830mm UK type
810618301170	CABLE.POWER,AC,1830mm Australia type
810618301031	CABLE.POWER.AC.1830mm Japan type

Customer request

Touch	PCT (Multi-Touch)
Glass	Tempered glass, AR coating.....