



## SSD1916-B

### 19.1" LCD, 1200nits, LED backlight, 1920 x 388 ultra-wide aspect ratio 16:3.2

The SSD1916-B is a 19.1 inch color TFT-LCD display with special aspect ratio 16:3.2 and wide resolution 1920 x 388. It is Litemax's Spanpixel series product which designed for high brightness 1200nits with power efficiency LED backlight. It provides LCD panel with specific aspect ratios and sunlight readable for digital signage, public transportation, exhibition hall, department store, and vending machine.

#### Key Features

- Resizing LCD
- Ultra Wide Screen 16:3.2
- LED Backlight
- Brightness 1200nits
- Sunlight Readable
- Low Power Consumption
- BL MTBF: 100,000 hours



### Specifications

Model Name	SSD1916-B
Description	19.1" Resizing LCD, 1200nits LED backlight , 1920 x 388
Screen Size	19.1"
Display Area (mm)	476.064(H) x 96.204(V)
Brightness	1200 cd/m <sup>2</sup>
Resolution	1920 x 388
Aspect Ratio	16 : 3.2
Contrast Ratio	1500 : 1
Pixel Pitch (mm)	0.24795(H) x 0.24795(V)
Pixel Per Inch (PPI)	103
Viewing Angle	178°(H),178°(V)
Color Saturation (NTSC)	80%
Display Colors	16.7M
Response Time (Typical)	20ms
Panel Interface	LVDS
Input Interface	VGA, DVI-D, HDMI
Input Power	DC12V
Power Consumption	15.4W
OSD Key	4 Keys (Power Switch, Menu, +, -)
OSD Control	Brightness, Color, Contrast, Auto Turing, H/V Position...etc
Dimensions (mm)	508.01x132.00x47.05
Bezel Size(U/B/L/R)	17.898/17.898/15.973/15.973 mm
Weight (Net)	2.7Kg
Mounting	100x100mm ,200x100mm
Operating Temperature	0 °C ~ 50 °C
Storage Temperature	-20 °C ~ 60 °C

SSD= Panel + LED Driving Board + AD Control Board + Chassis

*Specifications are subject to change without notice.*

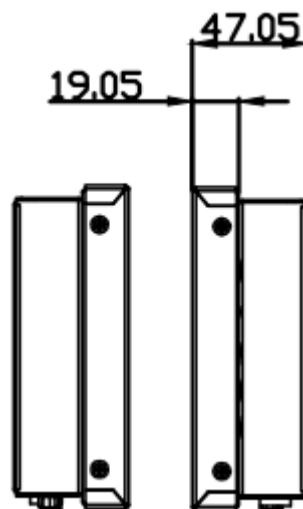
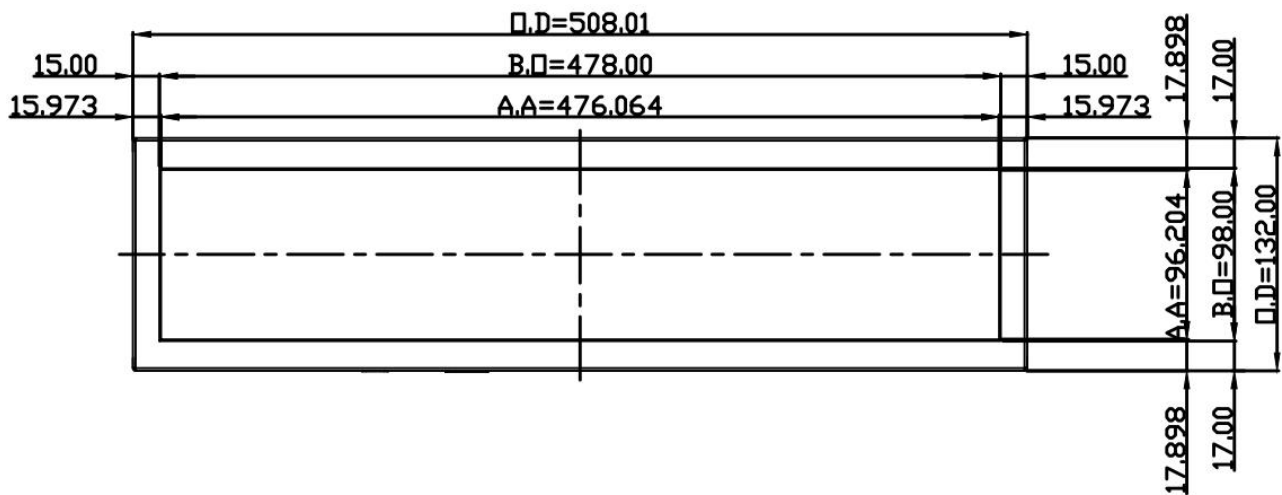
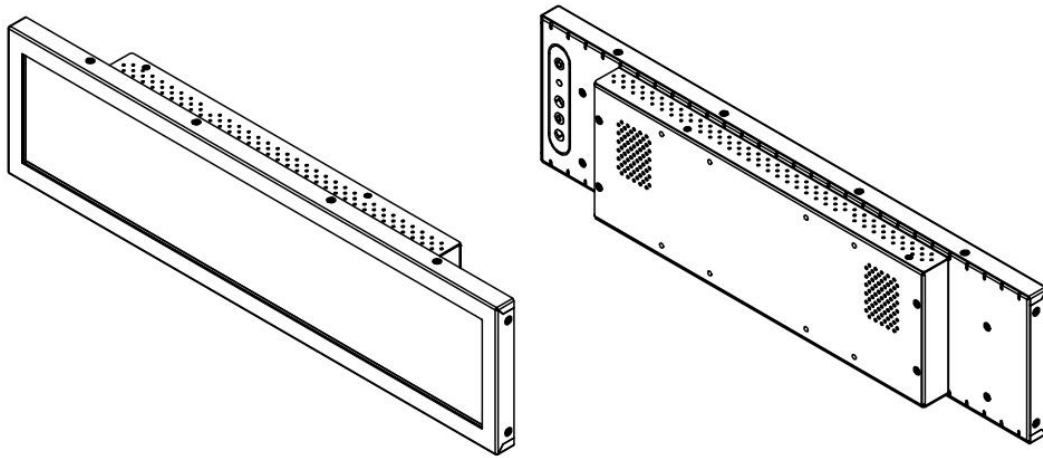
*All brands or product names are trademarks or registered trademarks of their respective companies.*

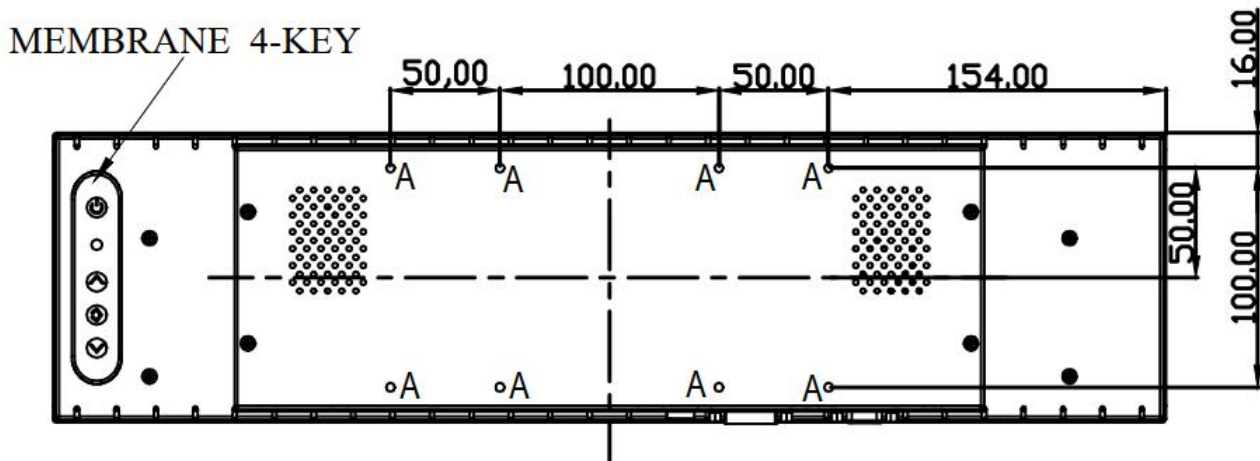
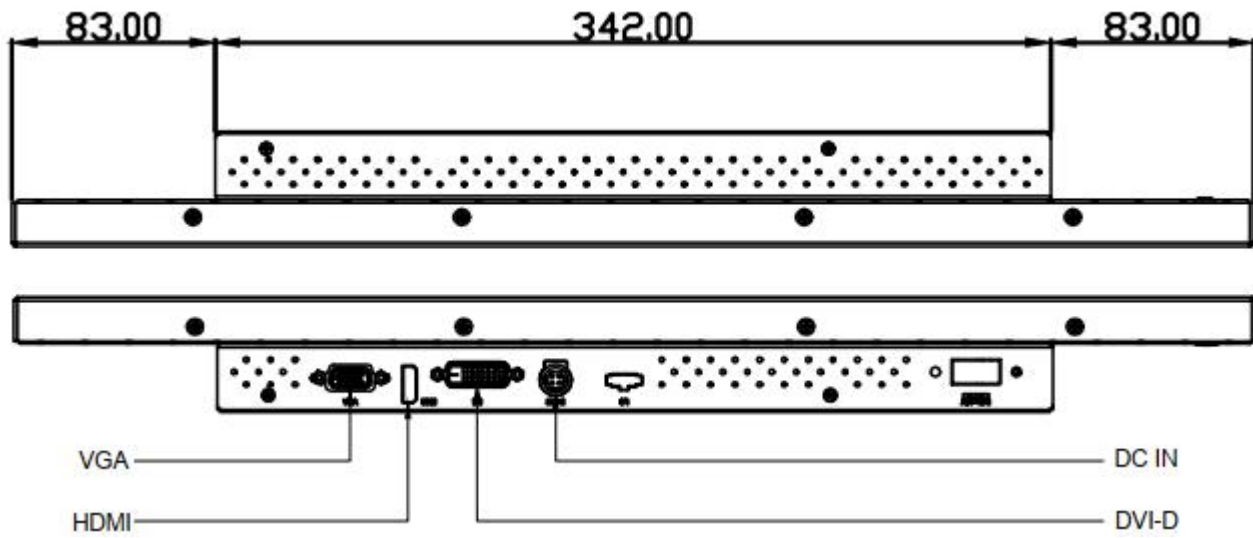


## Mechanical Drawing

### Outline Dimensions

Unit:mm





Note :

O.D. : OUTLINE DIMENSION

B.O. : BEZEL OPENING

A.A. : LCD ACTIVE AREA

A : 8-M4\_USER HOLE\_MAX DEPTH= 4 mm



### Ordering Information

Part Number	Description
SSD1916-BNB-Q11	19.1",1200nits,1920x388,AD8891GDH w/LID,O/B,DC12V,V1

### Optional Accessories

Part Number	Description
810618301010	CABLE,POWER,AC,1830mm USA type
810618301090	CABLE,POWER,AC,1830mm Europe type
810618301050	CABLE,POWER,AC,1830mm UK type
810618301170	CABLE,POWER,AC,1830mm Australia type
810618301031	CABLE,POWER,AC,1830mm Japan type

### Customer request

Touch	SCT (Single-Touch), PCT (Multi-Touch)
Glass	Tempered glass, AR coating.....