



SSC2925 (Double Side LCD Display)

Two 29.3" Resizing LCD, 1000 nits LED backlight, 1366x512 ultra wide aspect ratio 16:6

SSC2925 is an innovative ultra-wide, sunlight readable, slim, LED backlight Double Side LCD display. It provides LCD panel with specific ratios for digital signage, public transportation, exhibition hall, department store, vending machine and industrial applications. Add content can be playback by optional smart TV dongle, with optional swivel base, SSC2925 can rotate 360° automatically.

Key Features

- Resizing LCD
- Double Side LCD Display
- Ultra Wide Screen (16 : 6)
- Sunlight Readable
- LED Backlight
- High Brightness 1000 nits
- High Uniformity (90%)
- Wide Dimming
- Life Expectancy (70,000hrs)
- Portrait / Landscape Mode (Optional)
- Slim Bezel
- Thickness: 37mm

Applications

Digital Signage, Vending Machine,
Department Store, Transportation



Specifications

V1

Model No.	SSC2925
Description	Two 29.3" Resizing LCD, 1000 nits LED backlight, 1366x512
Display Area	697.68 x 261.5 mm
Brightness	1,000 cd/m ²
Resolution	1366 x 512
Aspect Ratio	16 : 6
Contrast Ratio	2500:1
Pixel Pitch (mm)	0.51075 x 0.51075
Viewing Angle	176°(H), 176°(V)
Display Colors	16.7M
Response Time (Typical)	6.5 ms
Sync	LVDS
Power Consumption	108W
Dimensions (mm)	1254.9 x 368 x 37
Weight (Net)	17 Kg
LED Driving Board	LID29A
Control Board (Optional)	AD2662GDHMA
<input type="checkbox"/> AD2662GDHMA	VGA + DVI + HDMI + Audio
F / R Control Button	4 Key
<input type="checkbox"/> 4 Key	Power Switch, Menu, Select (+,-),
OSD Menu	Brightness, Contrast, H/V Position, Color, Phase, Clock...
Optional	<input type="checkbox"/> swivel base (Power Consumption: 11W)

Specifications are subject to change without notice.

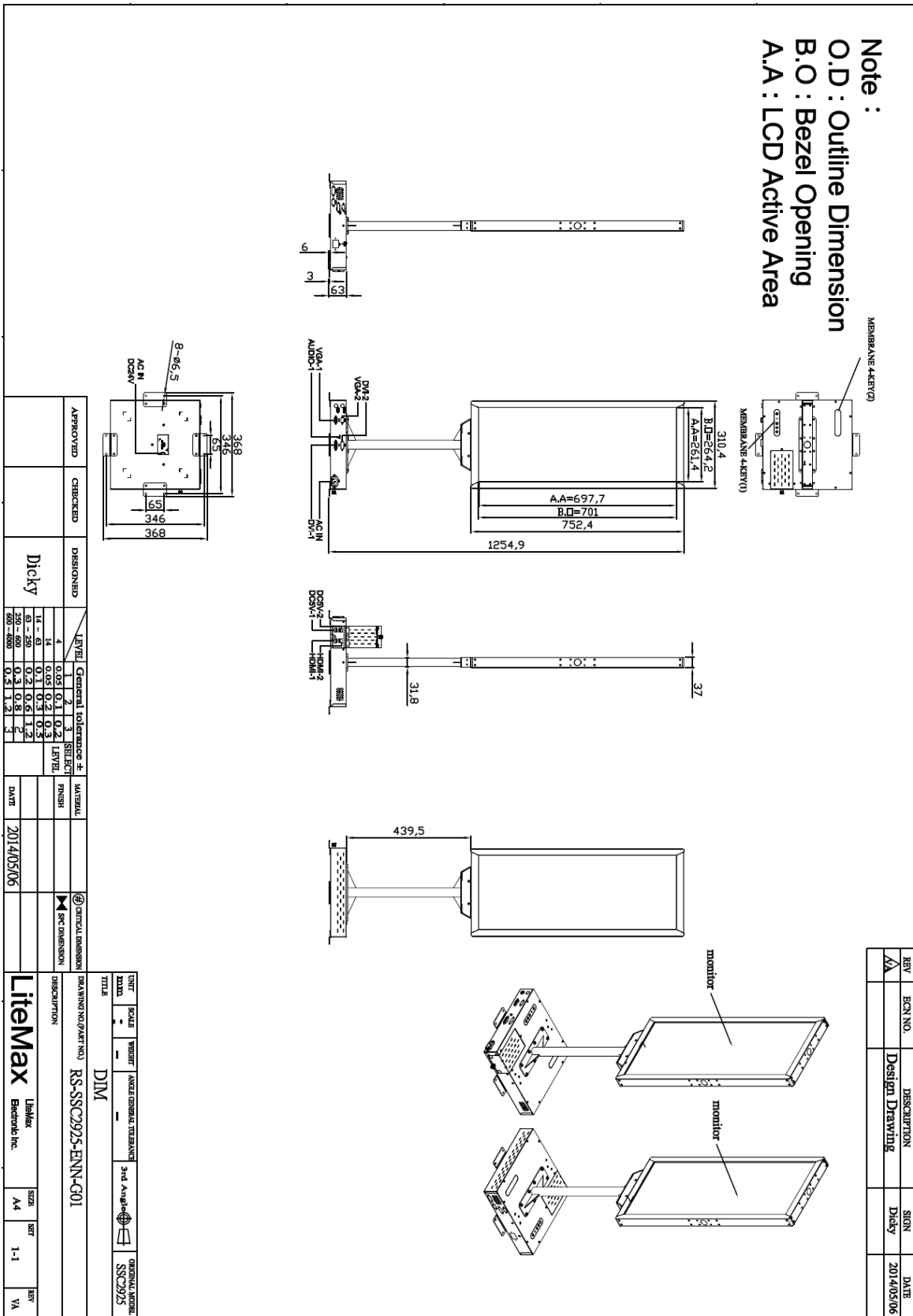
All brands or product names are trademarks or registered trademarks of their respective companies.

SSC = Panel + LED Driving Board + Control Board



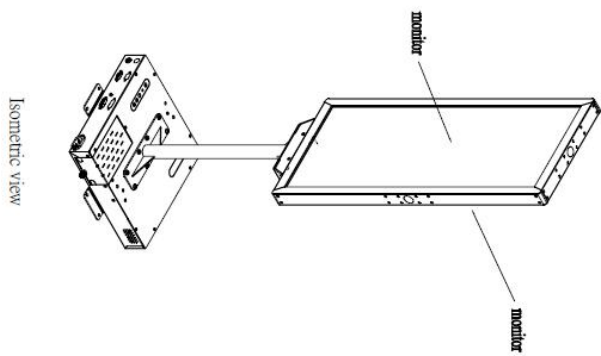
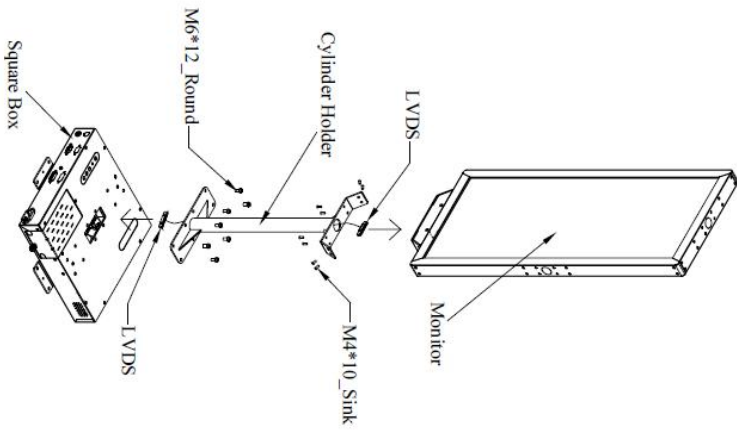
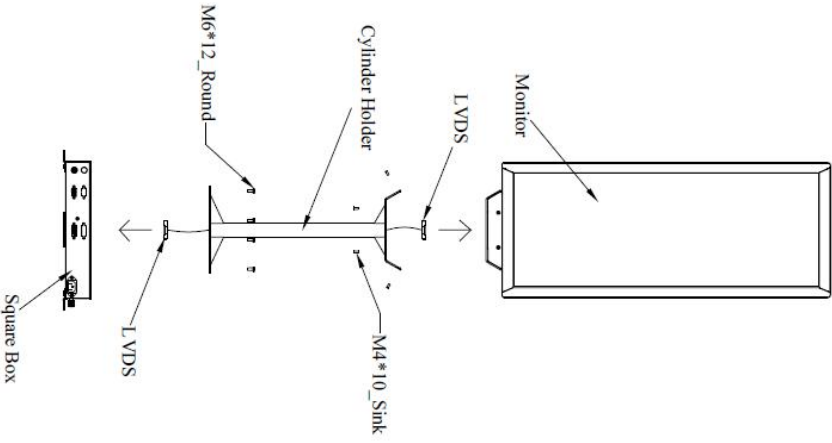
Mechanical Drawing

Outline Dimensions





Note :
M4*10_Sink (8 pcs)
M6*12_Round (8 pcs)



REV	EDN NO.	DESCRIPTION	SIGN	DATE
01		Design Drawing	Dicky	2014/05/23

APPROVED	CHECKED	DESIGNED	LEVEL	General	tolerance	±	SELECT	MATERIAL	FINISH	CRITICAL DIMENSION	DATE
		Dicky	1	0.05	0.1	0.1	LEVEL			Spec DIMENSION	2014/05/23
			2	0.05	0.1	0.1	LEVEL				
			3	0.1	0.1	0.2	LEVEL				
			4	0.1	0.1	0.2	LEVEL				
			5	0.1	0.1	0.2	LEVEL				
			6	0.1	0.1	0.2	LEVEL				
			7	0.1	0.1	0.2	LEVEL				
			8	0.1	0.1	0.2	LEVEL				

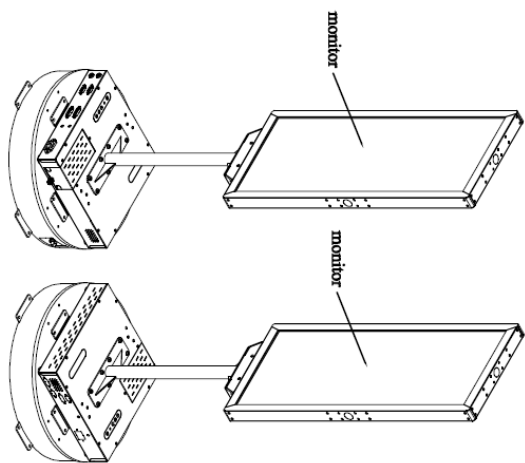
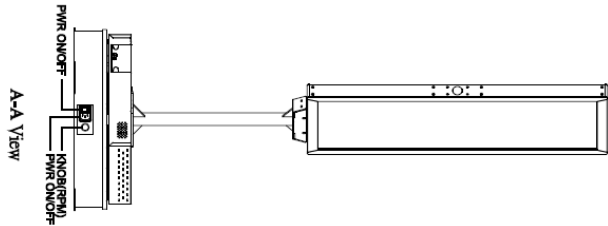
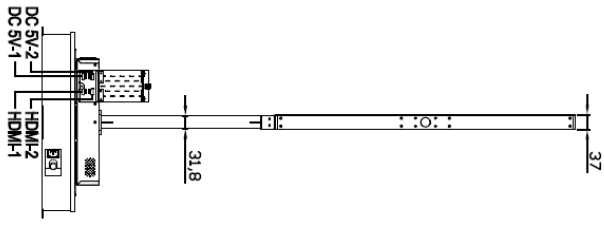
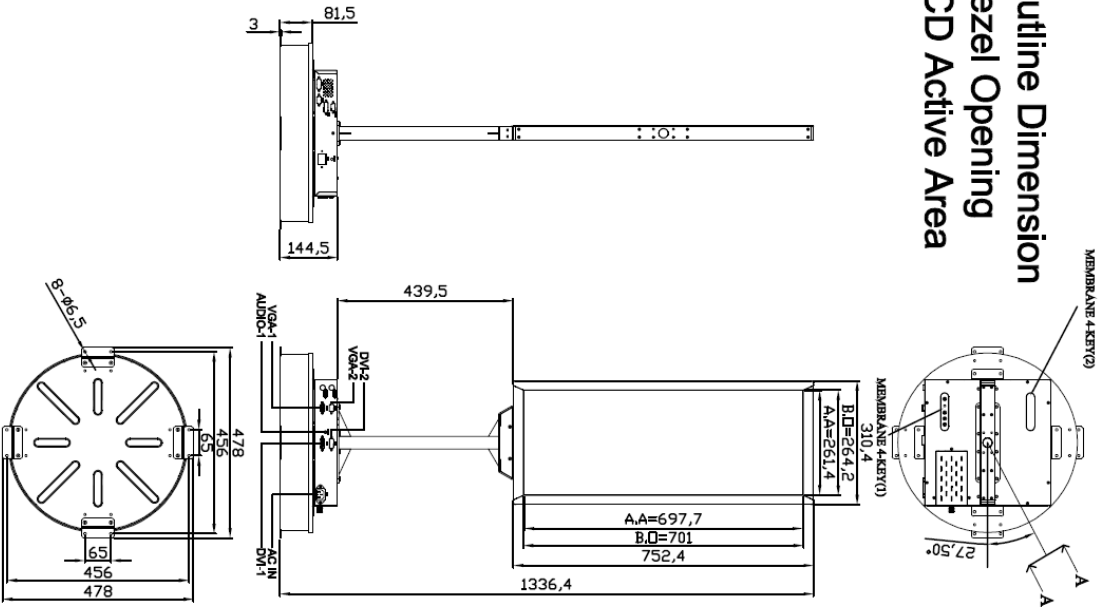
UNIT	SCALE	HEIGHT	ANGLE	GENERAL	TOLERANCE	3rd ANGLE	PROJECTION	ORIGINAL MODEL
mm	1:1							SSC2925

ISSUING DEPARTMENT: SSC2925-ENN-G01
 TITLE: Assembly Drawing

LiteMax Electronic Inc. SIZE: A4 SMT: 1-1 REV: V1



Note :
O.D : Outline Dimension
B.O : Bezel Opening
A.A : LCD Active Area



REV	ECN NO.	DESCRIPTION	SIGN	DATE
1		Design Drawing	Dicky	2014/05/06

APPROVED	CHECKED	DESIGNED	LEVEL	General tolerance ±	SURFACE	MATERIAL
		Dicky	4	0.05	0.1	
			14	0.05	0.2	
			63	0.1	0.3	
			63 - 200	0.2	0.6	
			200 - 500	0.3	0.8	
			500 - 800	0.5	1.2	
						DATE
						2014/05/06

UNIT	SCALE	THICK	ANGEL	GENERAL TOLERANCE	3rd Angle	GENERAL NOTE
						SSC2925
DRAWING NO./PART NO.						
RS-SSC2925-ENN-C01 with rotation platform						
DESCRIPTION						
DIM						
Litemax						
Lithmax Electronic Inc.						
SIZE	SET	REV				
A4	1-1	VA				



Ordering Information

Model Name	Description
SSC2925-ENN-G01	29.3"*2,1000nits,1366*512,LID29A,AD2662GDHMA,speaker/2W*2,OSD, AC100~240V input,V1

Optional Accessories

Part Number	Description
SSC-001	Swivel base for SSC Double Side LCD rotate 360° automatically, AC100~240V input,V1
810618301010 (Optional)	CABLE.POWER.AC.1830mm.(US Type).3PIN PLUG TO SOCKET.SVT(SPT-2)18AWG 3C BLACK.P.
810618301090 (Optional)	CABLE,POWER,AC,1830mm.(EU Type) 3PIN PLUG TO.SOCKET,H05VV-F 3G.0.75MMSQ BLACK,P
810618301050 (Optional)	CABLE,POWER,AC,1830mm.UK(FUSE) 3PIN PLUG TO.SOCKET,H05VV-F 3C(3G) 0.75MMSQ BLACK,P
810618301170 (Optional)	CABLE.POWER,AC,1830mm. (AU Type) 3PIN PLUG TO 2P SOCKET.LTSA 0.75MMSQ BLACK,P
810618301030 (Optional)	CABLE.POWER.AC.1830mm.(JP Type).2PIN PLUG Y TERMINAL TO. SOCKET.VCTF 3C 0.75MMSQ BLACK,P