



## SLD1968 V1

### 19" TFT LCD Display, LED Backlight, 1600nits, SXGA(1280x1024)

19" TFT LCD panel, built-in 1600 nits high bright for sunlight readable LCD display, high transmittance color filter, high transmission polarizing plates, Low Power Consumption, suitable for kiosk, advertising, POS, marine, transportation, gaming, studio display, gas pump.

#### Key Features

- Sunlight Readable
- LED Backlight
- SXGA(1280x1024) High Definition
- High Shock & Vibration Resistance
- Smart Panel design.
- High Uniformity
- Low EMI Noise
- Wide Dimming
- Life Expectancy



## Specifications

Ver3

<b>Model No.</b>	SLD1968 V1
<b>Description</b>	19" TFT LCD Display, LED Backlight, 1600nits, SXGA(1280x1024)
<b>Display Area (mm)</b>	376.3(H) x 301 mm
<b>Brightness</b>	1600 cd/m <sup>2</sup>
<b>Resolution</b>	1280x1024 (SXGA)
<b>Contrast Ratio</b>	1000 : 1
<b>Pixel Pitch (mm)</b>	0.294(H) x 0.294(V)
<b>Viewing Angle</b>	+85°~-85°(H), +80°~-80°(V)
<b>Display Colors</b>	16.7M
<b>Response Time (Typical)</b>	5ms
<b>Sync</b>	LVDS
<b>Power Consumption</b>	31W
<b>Dimensions (mm)</b>	396x326x35.9mm
<b>Weight (Net)</b>	2.7kg
<b>LED Driving Board</b>	LID19A09
<b>Control Board (Optional)</b>	<input type="checkbox"/> AD5621GA <input type="checkbox"/> AD5621GD <input type="checkbox"/> AD2662GDVAR <input type="checkbox"/> AD2662GDHMVAR
<input type="checkbox"/> AD6038GA	VGA+Audio
<input type="checkbox"/> AD6038GD	VGA+DVI
<input type="checkbox"/> AD2662GDVAR	VGA+DVI (Optional S-Video/ Component / Audio)
<input type="checkbox"/> AD2662GDHMVAR	VGA (Optional DVI-D / HDMI / S-Video/ Component / Audio)
<b>F / R Control Button</b>	<input type="checkbox"/> 5 Key <input type="checkbox"/> 4 Key
<input type="checkbox"/> 5 Key	Power Switch, Menu, Select (+,-), Auto
<input type="checkbox"/> 4 Key	Power Switch, Menu, Select (+,-),
<b>OSD Menu</b>	Brightness, Contrast, H/V Position, Color, Phase, Clock...
<b>Optional</b>	<input type="checkbox"/> AOT <input type="checkbox"/> Touch Screen

Specifications are subject to change without notice.

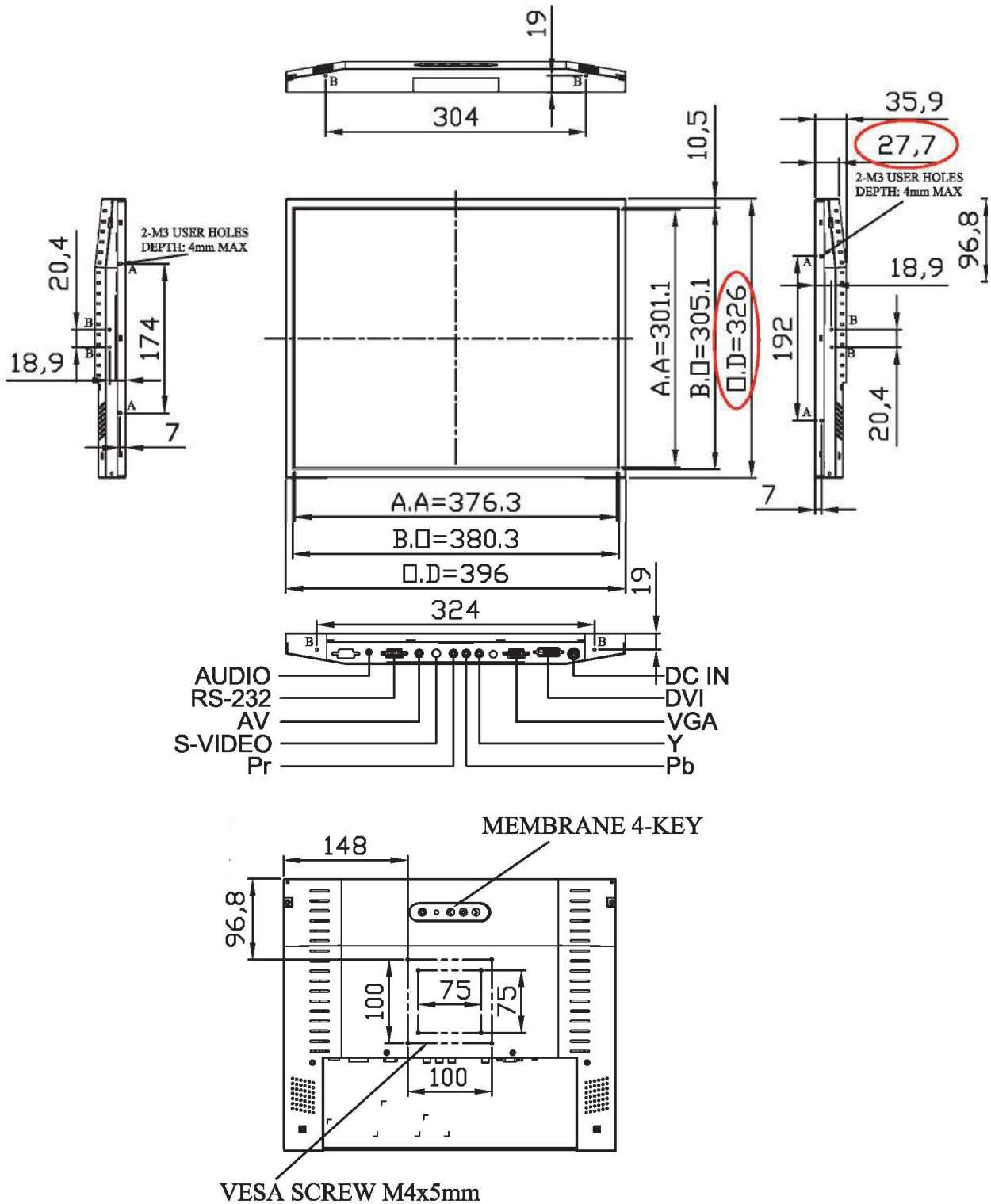
All brands or product names are trademarks or registered trademarks of their respective companies.

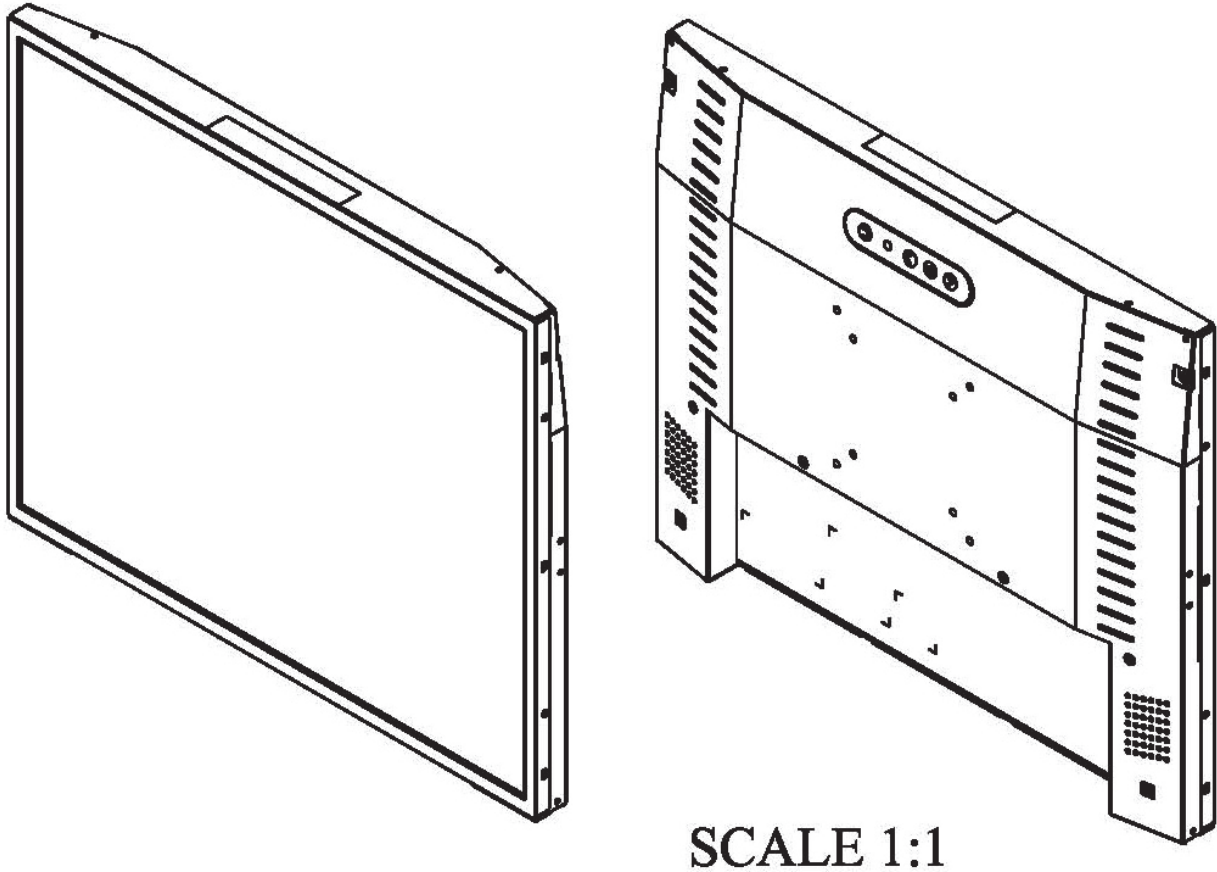


## Mechanical Drawing

### Outline Dimensions

Unit: mm





### Ordering Information

Part Number	Description
SLD1968-ENB-G11	19",1600nits,SXGA,LID19A09,AD2662GD,O/B,V02(2 in 1)

### Optional Accessories

Part Number	Description
840612051210	ADAPTER,AC/DC,12V/5.4A,65W,Atech OEM A065112-TDx.4P,P
810618301010	CABLE.POWER.AC.1830mm USA type
810618301090	CABLE,POWER,AC,1830mm Europe type
810618301050	CABLE.POWER.AC.1830mm UK type
810618301170	CABLE.POWER,AC,1830mm Australia type
810618301030	CABLE.POWER.AC.1830mm Japan type