

# FSM2300-5P

## 23.8" True Flat Industrial LCD Monitor

### Features

- 23.8" TFT LCD with Resolution up to 1920 x 1080
- True Flat P-CAP Touch Screen
- 1000nits High Brightness for Sunlight Readable (Optional)



### SPECIFICATION

Display	Size/Panel Type	23.8-inch TFT LCD Panel
	Resolution	1920 x 1080
	Brightness (cd/m <sup>2</sup> )	250cd/m <sup>2</sup> (Optional: 1000cd/m <sup>2</sup> )
	Contrast Ratio	3000:1
	Response Time	16ms
	Backlight	LED Backlight Unit
	Colors	16.7M Colors
	Viewing Angle (H/V)	178°/178°
Touch Screen	Touch Screen Type	Projected Capacitive Touch
	Surface Hardness	7H
Environment	Operating Temperature	0°C~50°C
	Storage Temperature	-20°C~+60°C
	Humidity	5%~90% RH(Non-Condensing)
	Waterproof Rating	IP65 Compliant Front Bezel
System	OSD	Menu, Auto, On/Off, Up, Down
	I/O Interface	DVI, VGA, HDMI, Audio, DC in, USB x 3 (one for Touch, two for USB Dongle)
	Speaker	2W Speaker x 2
	Power Input	DC12V Input, w/ AC100~240V Power Adapter
	Power Consumption	30W
	Certification	FCC/CE/RoHS Compliance
	Mounting	VESA 75 x 75mm, 100 x 100mm
	Dimension/Weight	594mm (W) x 363mm (H) x 45.3mm (D) /8.5kgs

Specifications subject to change without notice

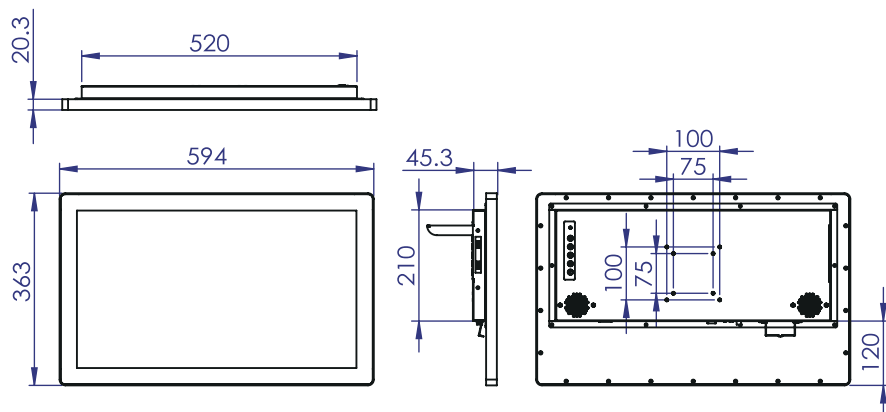
### ORDERING CODE

FSM2300-5P-XXXX

-HB10 = 1000nits High Brightness  
-W = Wide Temperature, -20°~+50°C

### ACCESSORIES

- VGA Cable x 1 (1.8M)
- AC/DC Power Adapter x 1 (1.8M)



Unit: mm