



ELD4202-EGR-A11 42" ECO green reflective monochrome display

Litemax ECO Green Pixel display feature innovative, reflective technologies for the sustainable development of earth. ELD4202-EGR-A11 is super energy saving design delivers an ultra low power consumption, low energy consuming electronic and optional equip front light and light sensor features to reduce energy use. ECO Green Pixel displays can be widely used in applications like outdoor signal, digital retailing, education, transportation, and health.

Key Features

- Reflective ePaper display
- Monochrome color 16 gray level
- Ultra low power consumption
- High Resolution 2160 x 2800
- Sunlight readable
- Build in powerful processor



Specifications

Model Name	ELD4202-EGR-A11
Description	42" ECO green reflective monochrome display
Screen Size	42"
Display Area (mm)	639 (H) x 853.2 (V)
Resolution	2160 x 2880
Aspect Ratio	3 : 4
Color	Monochrome 16 gray
Reflectance	40%
Contrast Ratio	12
Image Update Time	0.5 sec
Main Board Processor	Arm A55 1.8Ghz quad core
Flash Memory	2GB DDR4
Storage Memory	8GB EMMC
I/O Interface	USB x2, RJ45 (LAN)
Operation System	Android 11
Wireless	WiFi 2.4G/5G
Front Light	Optional
Cover Glass	Optional
Power Input	DC 20V
Max. Power Consumption	13.5W (During Update Image)
Study by Power Consumption	0.6W
Dimensions (mm)	719 x 923 x 49.8
Weight (Net)	15.5kg
Mounting	100 x 100, 200 x 200
Operating Temperature	-15 °C ~ 65 °C
Storage Temperature	-25 °C ~ 70 °C

Specifications are subject to change without notice.

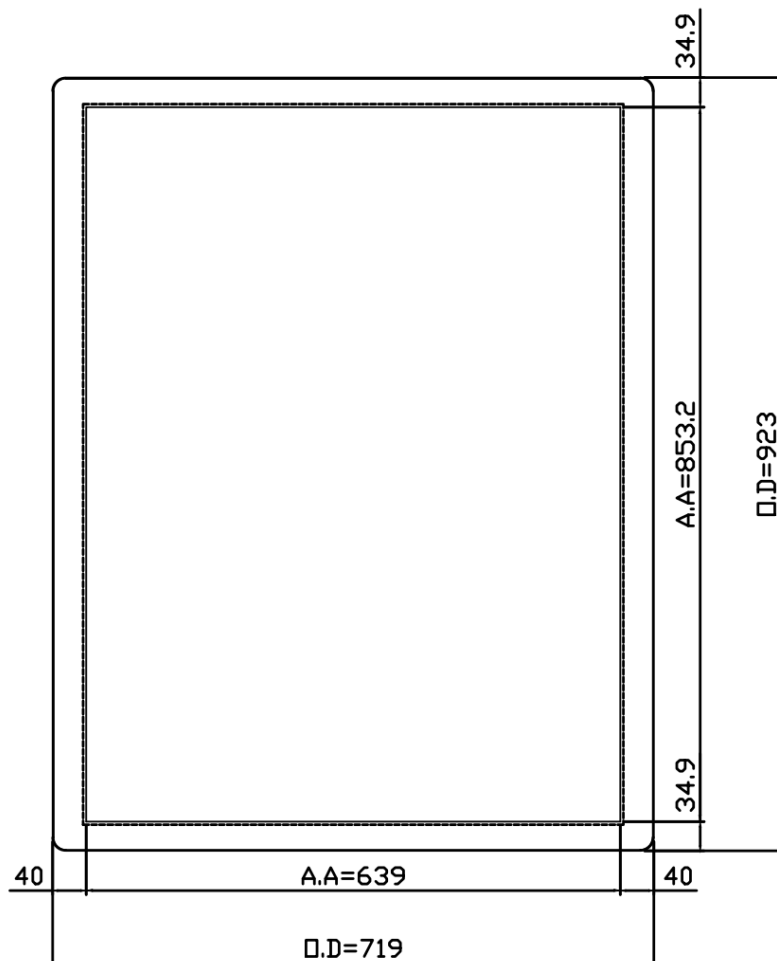
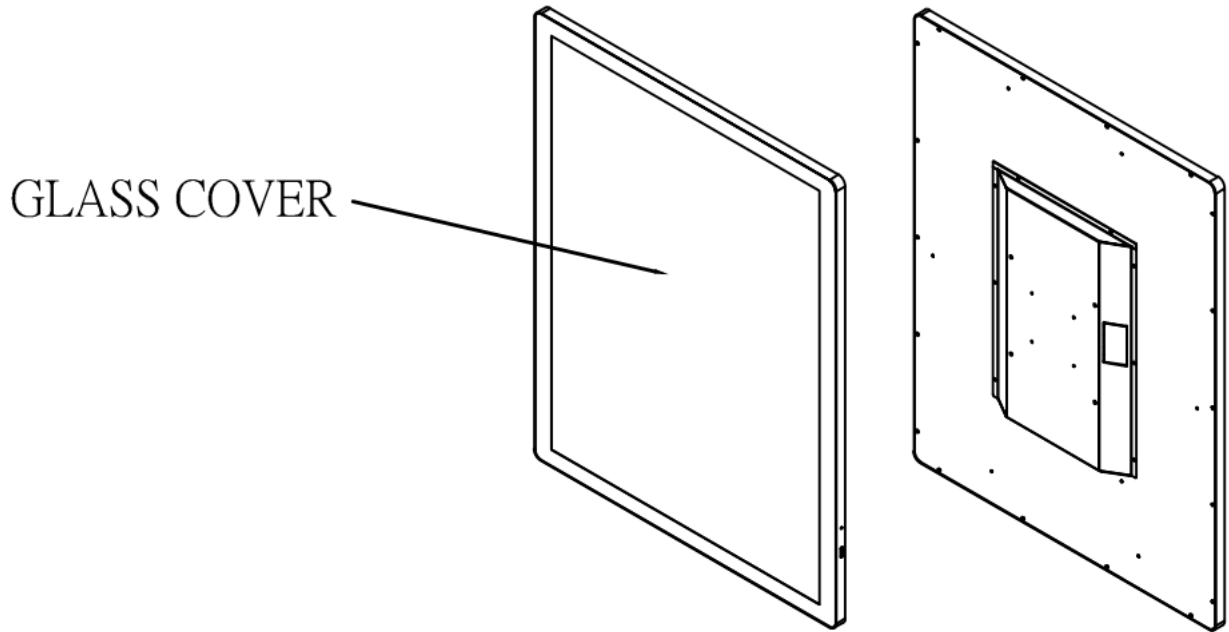
All brands or product names are trademarks or registered trademarks of their respective companies.

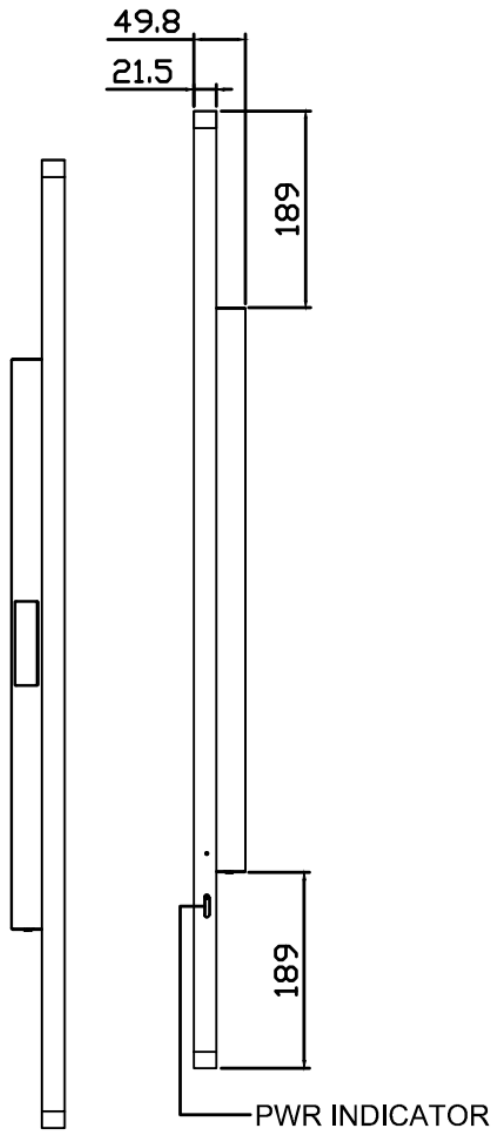
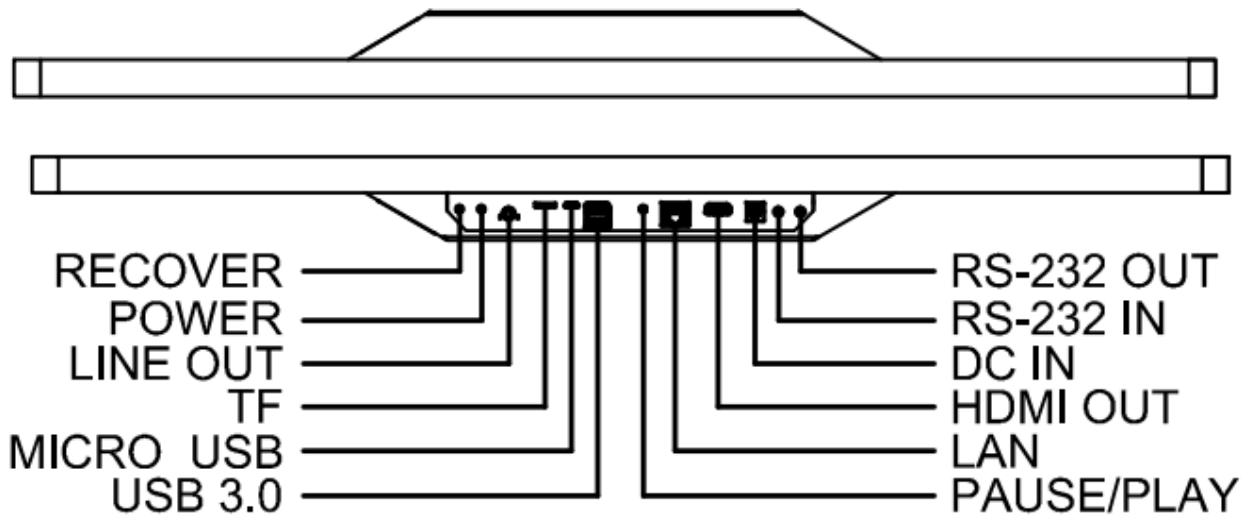


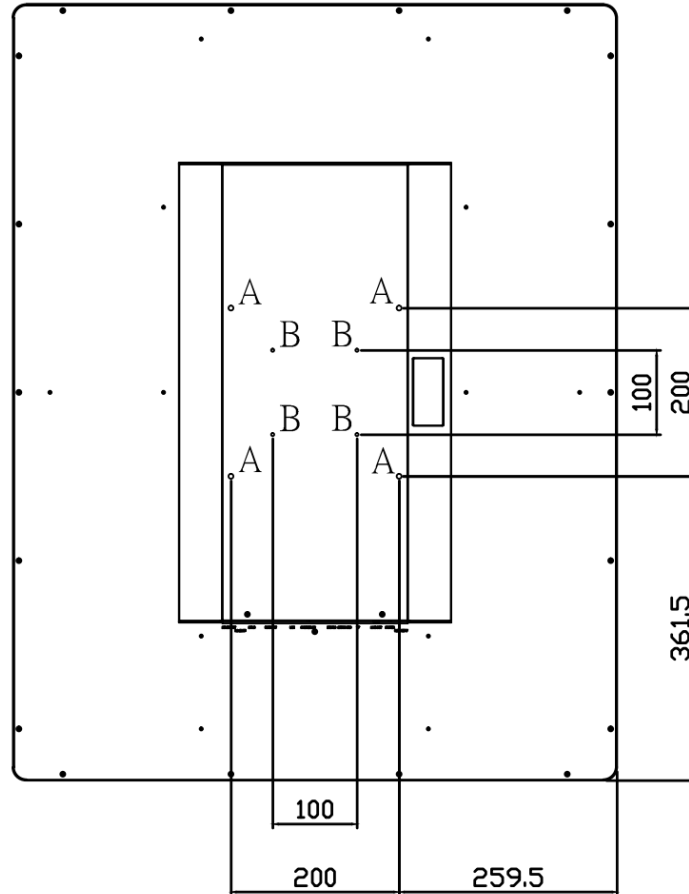
Mechanical Drawing

Outline Dimensions

Unit:mm







Note :

O.D : Outline Dimension

B.O : Bezel Opening

A.A : LCD Active Area

A:4-M6_USER HOLE_MAX DEPTH=8mm

B:4-M4_USER HOLE_MAX DEPTH=6mm

Ordering Information

Part Number	Description
ELD4202-EGR-A11	42", Reflective monochrome ePaper,2160x2880, T1565, RK3566 A55 1.8GHz, Android11, 2GB DDR4, 8GB EMMC, WiFi, USB, RJ45, 3mm Glass, DC20V, V1

Optional Accessories

Part Number	Description
810618001005	CABLE,POWER,AC,3-Pin Plug,1800mm USA type
810618301070	CABLE,POWER,AC,3-Pin Plug,1830mm Europe type
810618301145	CABLE,POWER,AC,3-Pin Plug,1830mm Australia type
810618301191	CABLE,POWER,AC,3-Pin Plug,1830mm Japan type
810618301192	CABLE,POWER,AC,3-Pin Plug,1830mm UK type

Customer request

Glass	Tempered glass, AG coating, AR coating.....
Front Light	Front Light