



ELD2539-EGP-A11 25.3" ECO green reflective full color display

Litemax ECO Green Pixel display feature innovative, reflective technologies for the sustainable development of earth. ELD2539-EGP-A11 is super energy saving design delivers an ultra low power consumption, low energy consuming electronic and optional equip front light and light sensor features to reduce energy use. ECO Green Pixel displays can be widely used in applications like outdoor signal, digital retailing, education, transportation, and health.

Key Features

- Reflective ePaper display
- Full color 30K
- Ultra low power consumption
- High Resolution 1800 x 3200
- Sunlight readable
- Build in powerful processor
- Protection cover glass



Specifications

Model Name	ELD2539-EGP-A11
Description	25.3" ECO green reflective full color display
Screen Size	25.3"
Display Area (mm)	313 (H) x 558 (V)
Resolution	1800 x 3200
Aspect Ratio	9 : 16
Color	30K
Reflectance	25%
Contrast Ratio	15
Image Update Time	30 sec
Main Board Processor	Arm A35 1.3GHz quad core
Flash Memory	2GB DDR3
Storage Memory	16GB EMMC
I/O Interface	USB x2, RJ45 (LAN)
Operation System	Android 11
Wireless	WiFi 2.4G/5G
Front Light	Optional
Cover Glass	Optional
Power Input	DC 20V
Max. Power Consumption	8W (During Update Image)
Study by Power Consumption	0.1W
Dimensions (mm)	343.6 x 588.6 x 34.1
Weight (Net)	2.9kg
Mounting	100 x 200, 130 x 480
Operating Temperature	15 °C ~ 35 °C
Storage Temperature	-25 °C ~ 50 °C

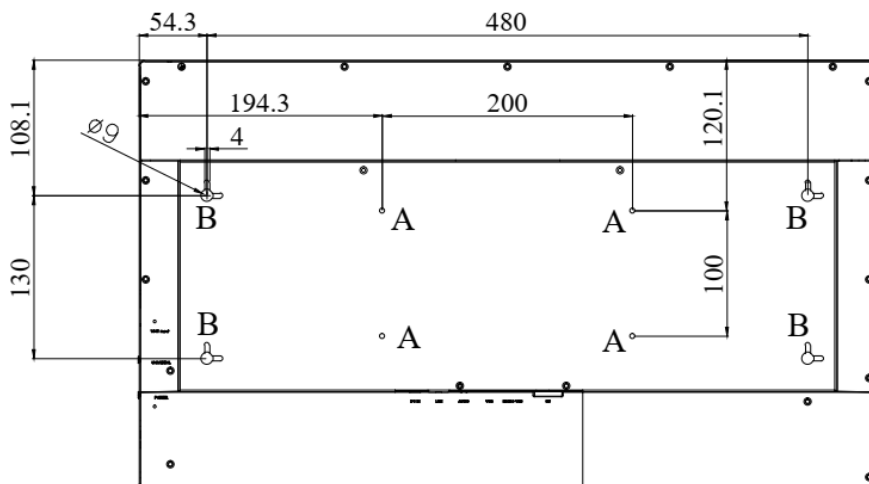
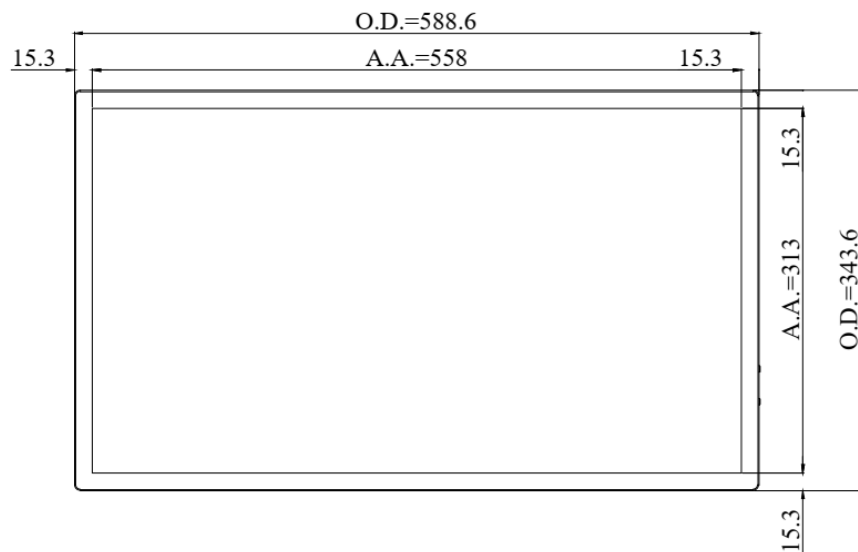
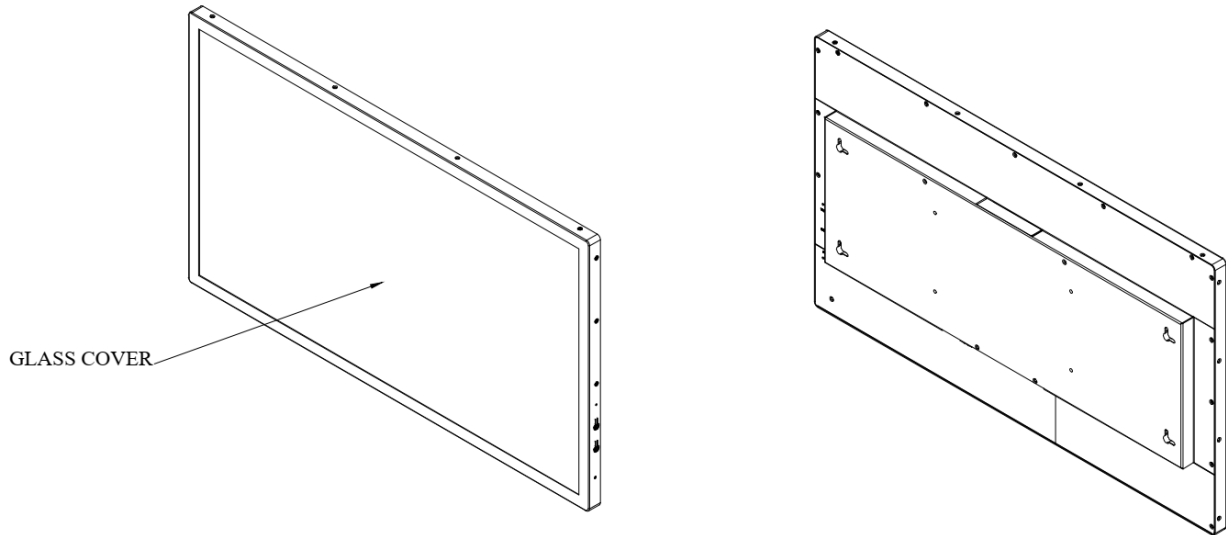
*Specifications are subject to change without notice.
All brands or product names are trademarks or registered trademarks of their respective companies.*

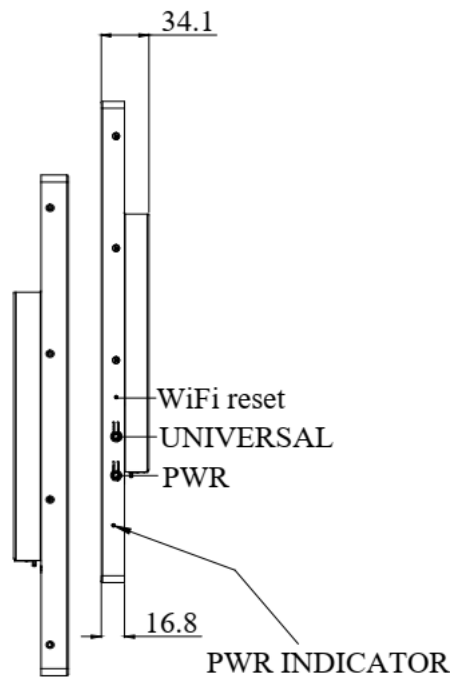
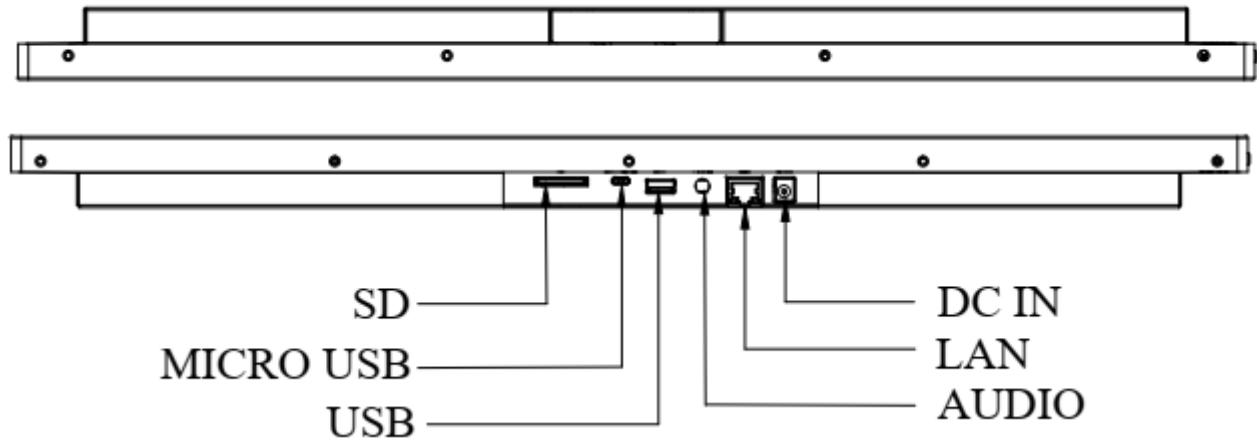


Mechanical Drawing

Outline Dimensions

Unit:mm





NOTE :

O.D. : OUTLINE DIMENSION(mm)

B.O. : BEZEL OPENING

A.A. : LCD ACTIVE AREA

A : 4-M4_VESA HOLE_Max Depth=5 mm

B : 4-M4_mounting HOLE_Max Depth=7 mm



Ordering Information

Part Number	Description
ELD2539-EGP-A11	25.3", Reflective full color ePaper,1800x3200, PX30 A35 1.3GHz, Android11, 2GB DDR3, 16GB EMMC, WiFi, USB, RJ45, 1.8mm Glass, DC20V, V1

Optional Accessories

Part Number	Description
810618001005	CABLE,POWER,AC,3-Pin Plug,1800mm USA type
810618301070	CABLE,POWER,AC,3-Pin Plug,1830mm Europe type
810618301145	CABLE,POWER,AC,3-Pin Plug,1830mm Australia type
810618301191	CABLE,POWER,AC,3-Pin Plug,1830mm Japan type
810618301192	CABLE,POWER,AC,3-Pin Plug,1830mm UK type

Customer request

Glass	Tempered glass, AG coating, AR coating.....
Front Light	Front Light