



DUD4304-CT

43" TFT LCD, 500nits LED Backlight, 3840x2160, Multi-Touch Curve Display

The DUD4304-CT is a 43 inch industrial curve display R-1500, with brightness 500 nits, it produce sharp images, crisp text and lifelike colors. The Durapixel LED backlight technology ensures high reliability and low power consumption, suitable for exhibition hall, kiosk, department store and gaming application.

Key Features

- 43" Multi-Touch Curve Display
- Brightness 500 nits
- Radius = 1500
- LED Backlight
- Low Power Consumption
- RGB Lighting
- BL MTBF: 50,000 hours



Specifications

Model Name	DUD4304-CT
Description	43" TFT LCD, 500nits LED Backlight, 3840x2160, Multi-Touch Curve Display
Screen Size	43"
Display Area (mm)	925.914(H) x 529.416 (V)
Brightness	500 cd/m ²
Resolution	3840x2160
Aspect Ratio	16:9
Contrast Ratio	4200 : 1
Pixel Pitch (mm)	0.2451(H) x 0.2451(V)
Pixel Pre Inch (PPI)	102
Viewing Angle	178°(H),178°(V)
Color Saturation (NTSC)	86%
Display Colors	1.07B
Response Time (Typical)	8ms
Panel Interface	V by One
Input Interface	HDMI x2, DP
Input Power	AC100~240V
Power Consumption	98W
OSD Key	5 Keys (Power Switch, Menu, +, -, Exit)
OSD Control	Brightness, Color, Contrast, Auto Turing, H/V Position...etc
Radius	1500
Dimensions (mm)	995(H) x 590.6(V) x 162.9(T)
Bezel Size(U/B/L/R)	30.6/30.6/34.5/34.5 mm
Weight (Net)	29.8kg
Mounting	200x400mm, 400x400mm
Operating Temperature	0 °C ~ 50 °C
Storage Temperature	-20 °C ~ 60 °C

DUD= Panel + LED Driving Board + AD Control Board + Lighting + Chassis

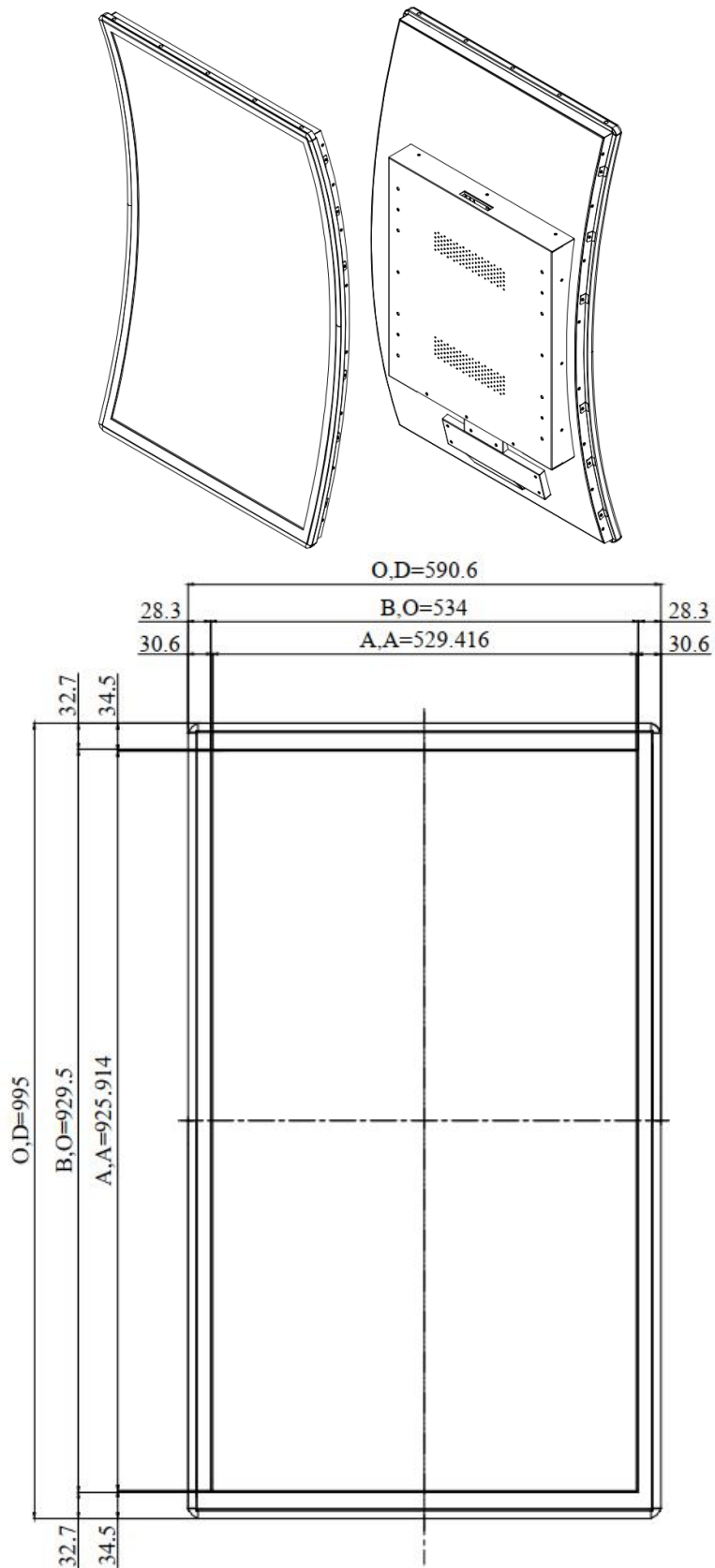
Specifications are subject to change without notice.
All brands or product names are trademarks or registered trademarks of their respective companies.

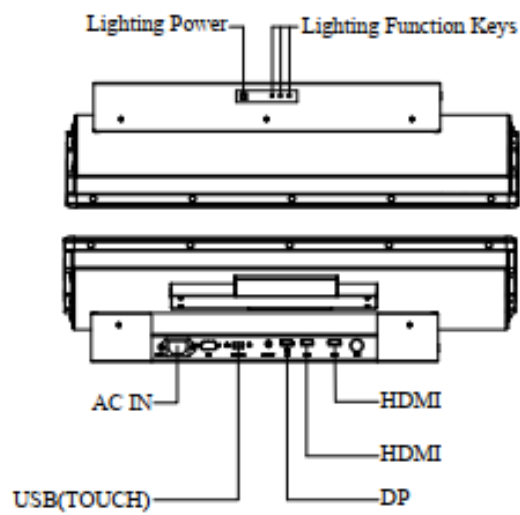
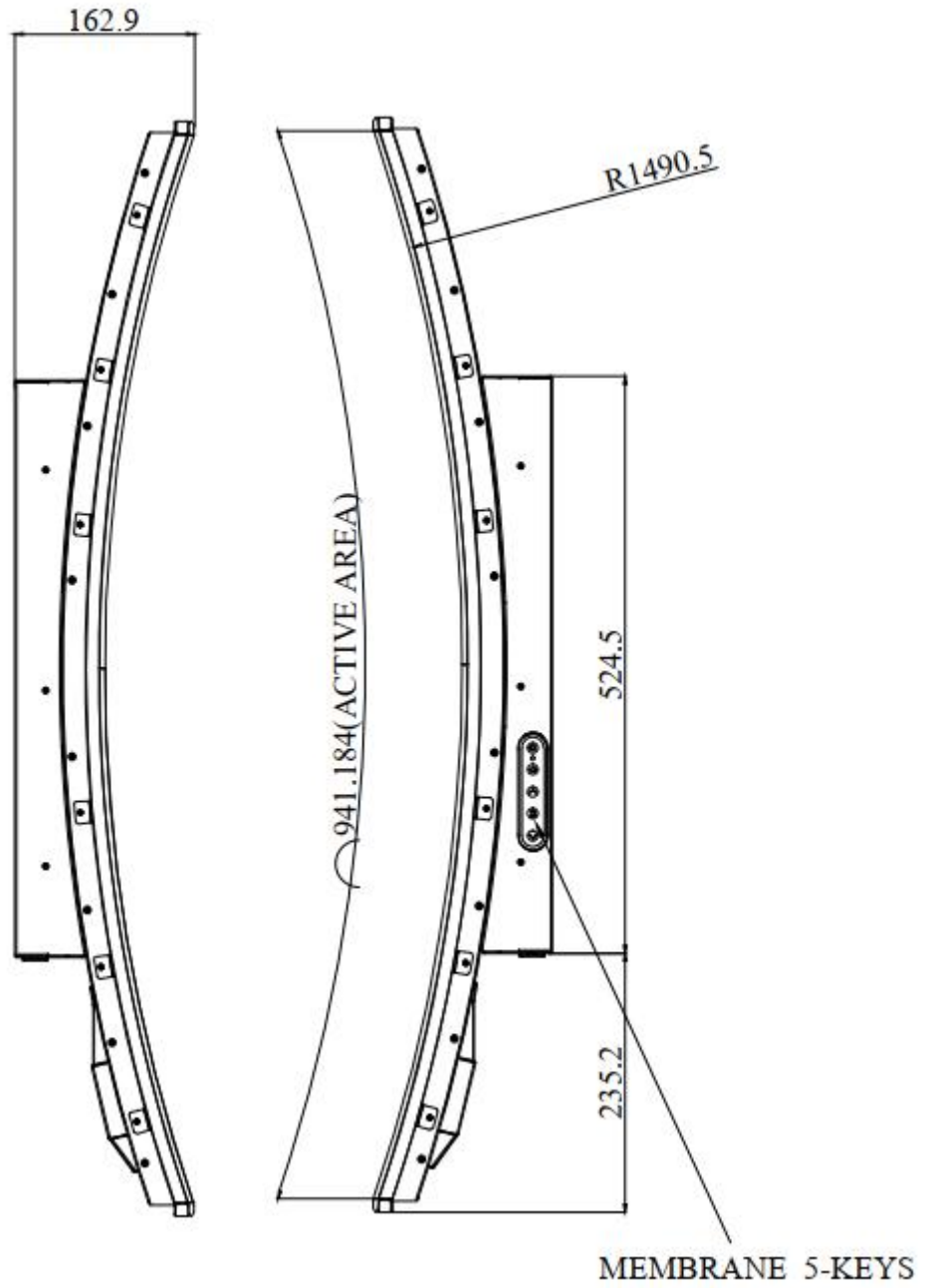


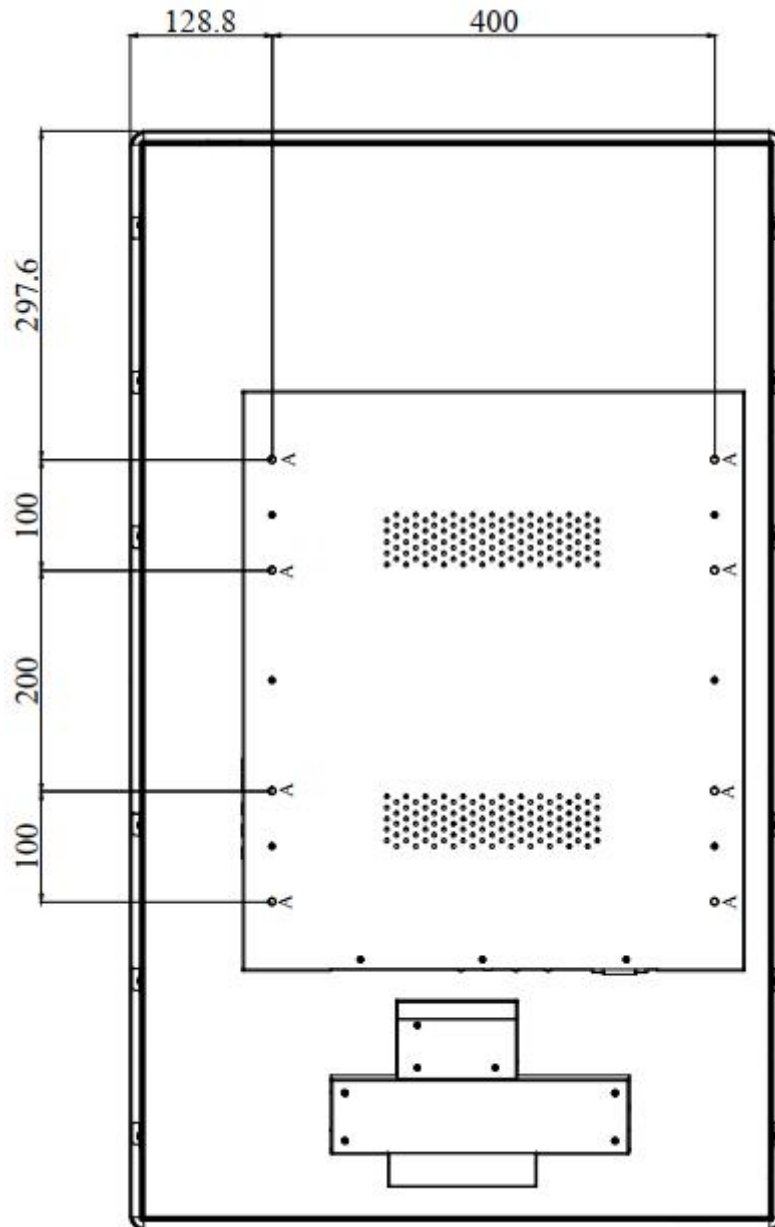
Mechanical Drawing

Outline Dimensions

Unit:mm







NOTE :

O.D. : OUTLINE DIMENSION

B.O. : BEZEL OPENING

A.A. : LCD ACTIVE AREA

A : 8-M6_USER HOLE_MAX Depth=16mm



Ordering Information

Part Number	Description
DUD4304-CTU-S01	43",500nits,3840x2160,R/1500,T/DISPLAX-PCT-USB(T=90%),LID on LCM,AD68415HHP,O/B,RGB Lighting,AC100~240V,V1

Optional Accessories

Part Number	Description
810618301010	CABLE,POWER,AC,1830mm USA type
810618301090	CABLE,POWER,AC,1830mm Europe type
810618301050	CABLE,POWER,AC,1830mm UK type
810618301170	CABLE,POWER,AC,1830mm Australia type
810618301031	CABLE,POWER,AC,1830mm Japan type

Customer request
