



DLD7501-LNU V1
75" TFT LCD, 3000 nits LED backlight, UHD(3840x2160)

The DLD7501-LNU is a 75 inch industrial grade sunlight readable LCD, with high brightness 3000 nits and high color saturation, it produce sharp images, crisp text and lifelike colors. The Durapixel LED backlight technology ensures high reliability and low power consumption, suitable for outdoor application, kiosk, factory automation, military, transportation and gaming application.

Key Features

- High Brightness 3000 nits
- Resolution 3840x2160
- Sunlight Readable
- LED Backlight
- Local Dimming
- Low Power Consumption
- LCD Blanking Defect Free (Hi-Tni 110°C)
- BL MTBF: 50,000 hours



Specifications

Model Name	DLD7501-LNU V1
Description	75" TFT LCD, 3000 nits LED backlight, UHD (3840x2160)
Screen Size	75"
Display Area (mm)	1649.6(H) x 927.9(V)
Brightness	3000 cd/m ²
Resolution	3840x2160
Aspect Ratio	16 : 9
Contrast Ratio	1200 : 1
Pixel Pitch (mm)	0.429(H) x 0.429(V)
Pixel Per Inch (PPI)	59
Viewing Angle	178 °(H),178 °(V)
Color Saturation (NTSC)	68%
Display Colors	1.07G
Response Time (Typical)	8ms
Panel Interface	V-by-One
AD Board Input Interface	DVI-D, HDMI, DP
Input Power	AC100~240V
Power Consumption	612W
OSD Key	5 Keys (Power Switch, Menu, +, Exit, -)
OSD Control	Brightness, Color, Contrast, Auto Turing, H/V Position... etc
Dimensions (mm)	1675.2 x 953.6 x 140.2
Bezel Size(U/B/L/R)	11.8/11.8/11.8/11.8 mm
Weight (Net)	69kg(88kg/Package)
Operating Temperature	0 °C ~ 50 °C
Storage Temperature	-20 °C ~ 60 °C

DLD= Panel+ LED Driving Board + AD Control Board + Case

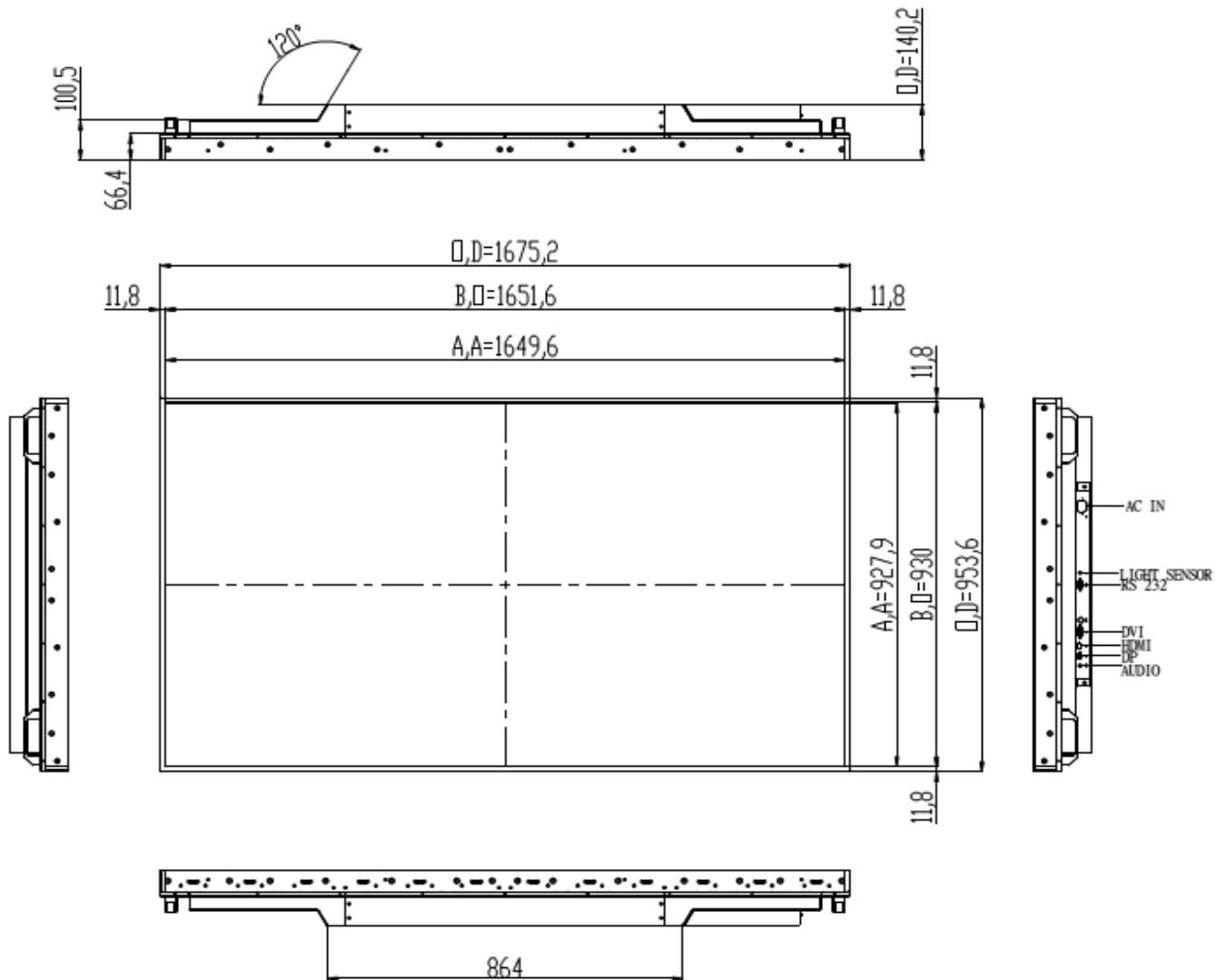
Specifications are subject to change without notice.
 All brands or product names are trademarks or registered trademarks of their respective companies.

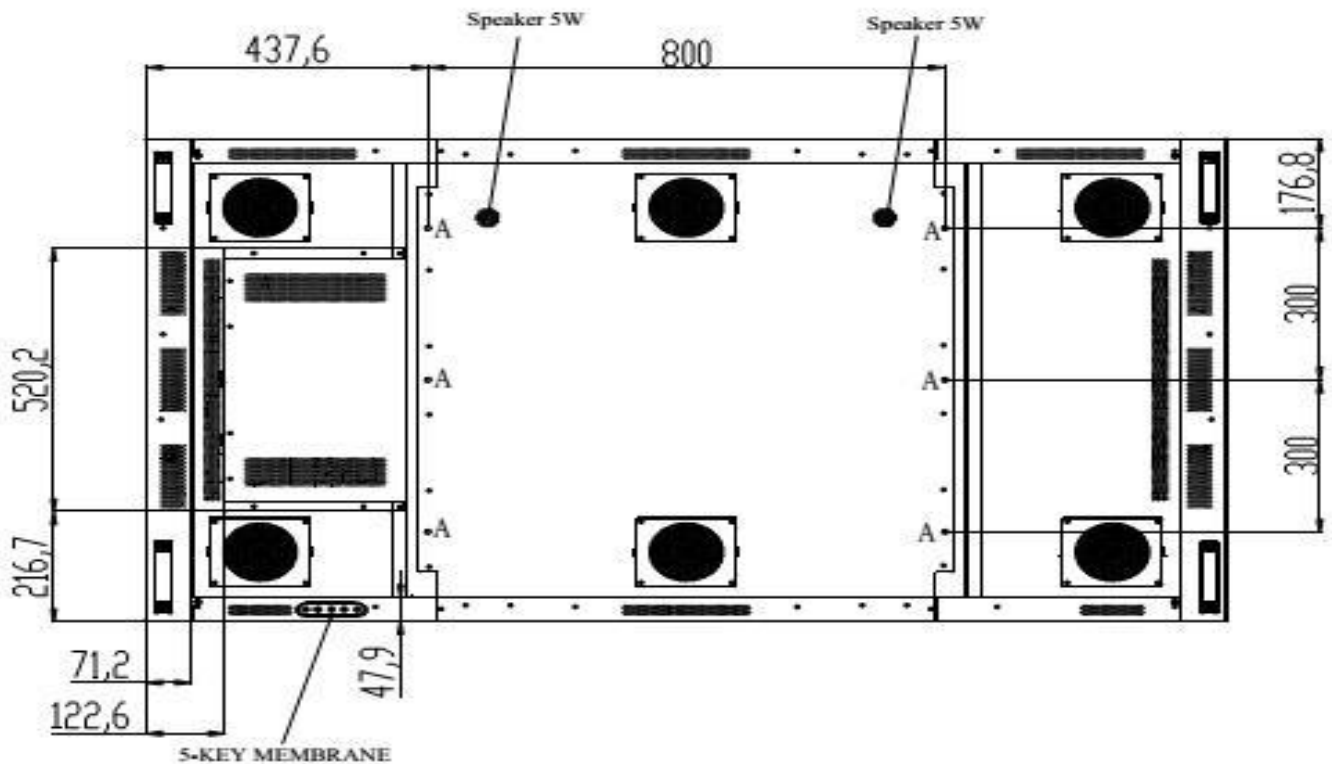
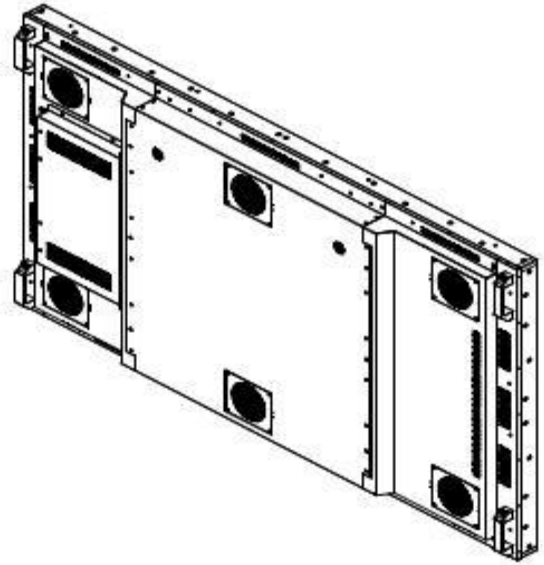
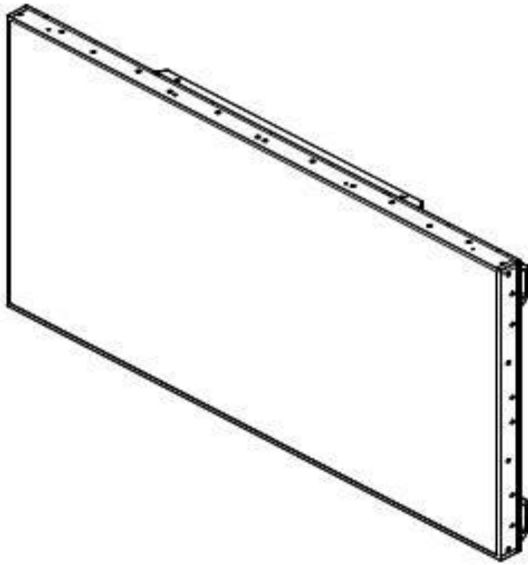


Mechanical Drawing

Outline Dimensions

Unit:mm





Note:

O.D : Outline Dimension

B.O : Bezel Opening

A.A : LCD Active Area

A:6-M8 USER HOLE _MAX. DEPTH=18mm



Ordering Information

Part Number	Description
DLD7501-LNU-N01	75",3000nits,3840x2160,H-Tni,AD2796DHPAR.Speaker*2,AC100~240V,V1

Optional Accessories

Part Number	Description
810618301010	CABLE.POWER.AC.1830mm USA type
810618301090	CABLE,POWER,AC,1830mm Europe type
810618301050	CABLE.POWER.AC.1830mm UK type
810618301170	CABLE.POWER,AC,1830mm Australia type
810618301031	CABLE.POWER.AC.1830mm Japan type

Customer request

Touch	PCT (Multi-Touch)
Glass	Tempered glass, AR coating.....