



DLD6501-L V2
65" TFT LCD, 2500 nits LED backlight, 3840 x 2160

The DLD6501-L is a 65 inch industrial grade sunlight readable LCD, with high brightness 2500 nits, it produce sharp images, crisp text and lifelike colors. The Durapixel LED backlight technology ensures high reliability and low power consumption, suitable for outdoor application, kiosk, factory automation, military, transportation and gaming application.

Key Features

- High Brightness 2500 nits
- Sunlight Readable
- LED Backlight
- Low Power Consumption
- LCD Blacking Defect Free (Hi-Tni 110°C)
- BL MTBF: 100,000 hours



Specifications

Model Name	DLD6501-L
Description	65" TFT LCD, 2500 nits LED backlight, 3840 x 2160
Screen Size	65"
Display Area (mm)	1428.480(H) x 803.520(V)
Brightness	2500 cd/m ²
Resolution	3840 x 2160
Aspect Ratio	16 : 9
Contrast Ratio	1200 : 1
Pixel Pitch (mm)	0.372(H) x 0.372(V)
Pixel Per Inch (PPI)	67
Viewing Angle	178°(H),178°(V)
Color Saturation (NTSC)	78%
Display Colors	1.07B
Response Time (Typical)	8ms
Panel Interface	V-by-One
Input Interface	DVI-D, HDMI, DP
Input Power	AC100~240V
Power Consumption	403W
OSD Key	5 Keys (Power Switch, Menu, +, Exit, -)
OSD Control	Brightness, Color, Contrast, Auto Turing, H/V Position...etc
Dimensions (mm)	1474.2 x 849.2 x 95.01
Bezel Size(U/B/L/R)	22.840/22.840/22.860/22.860 mm
Weight	48 kg
Mounting	400x200mm , 400x400mm
Operating Temperature	0 °C ~ 50 °C
Storage Temperature	-20 °C ~ 60 °C

DLD = Panel + LED Driving Board + AD Control Board + Housing

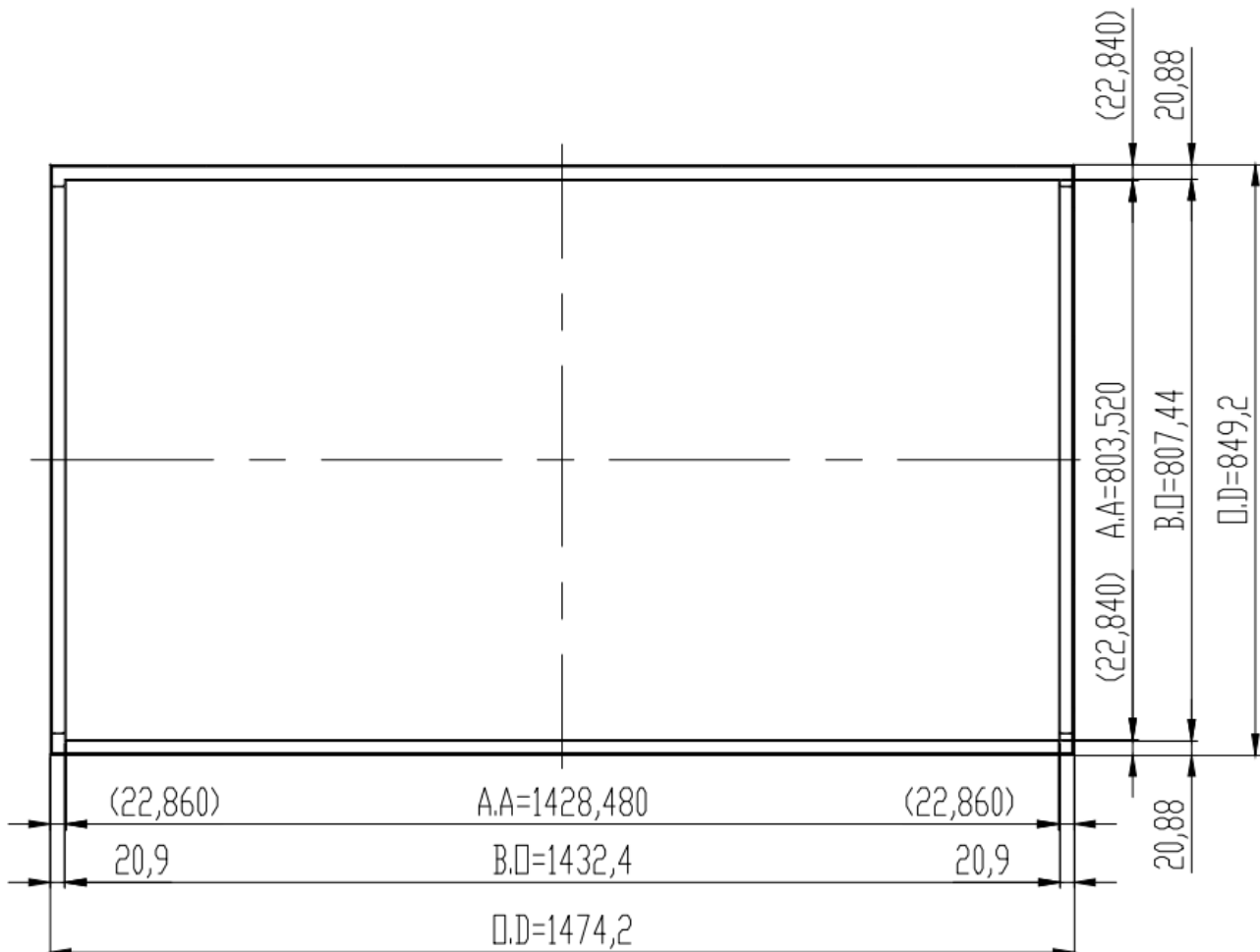
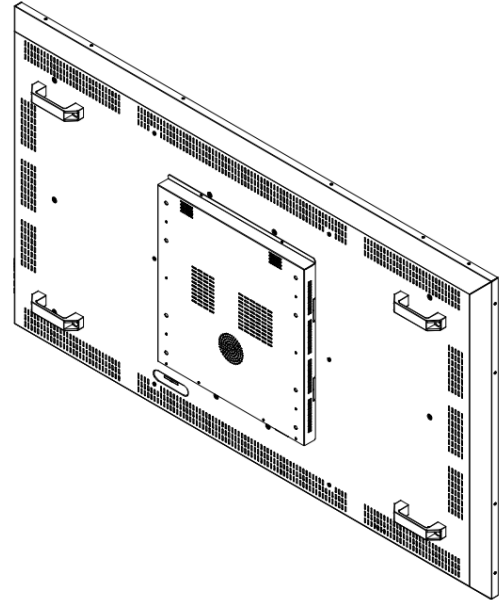
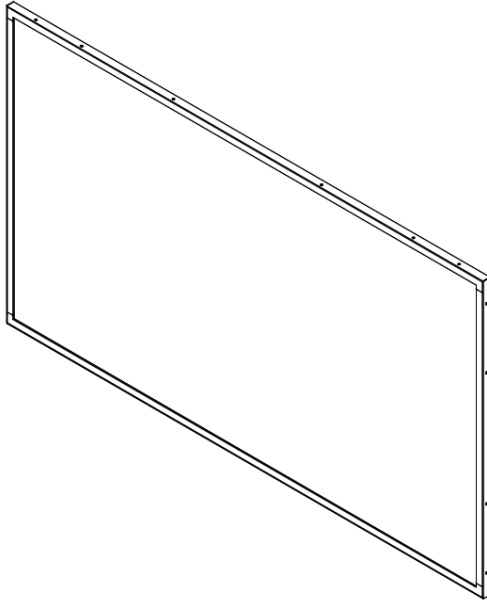
Specifications are subject to change without notice.
 All brands or product names are trademarks or registered trademarks of their respective companies.

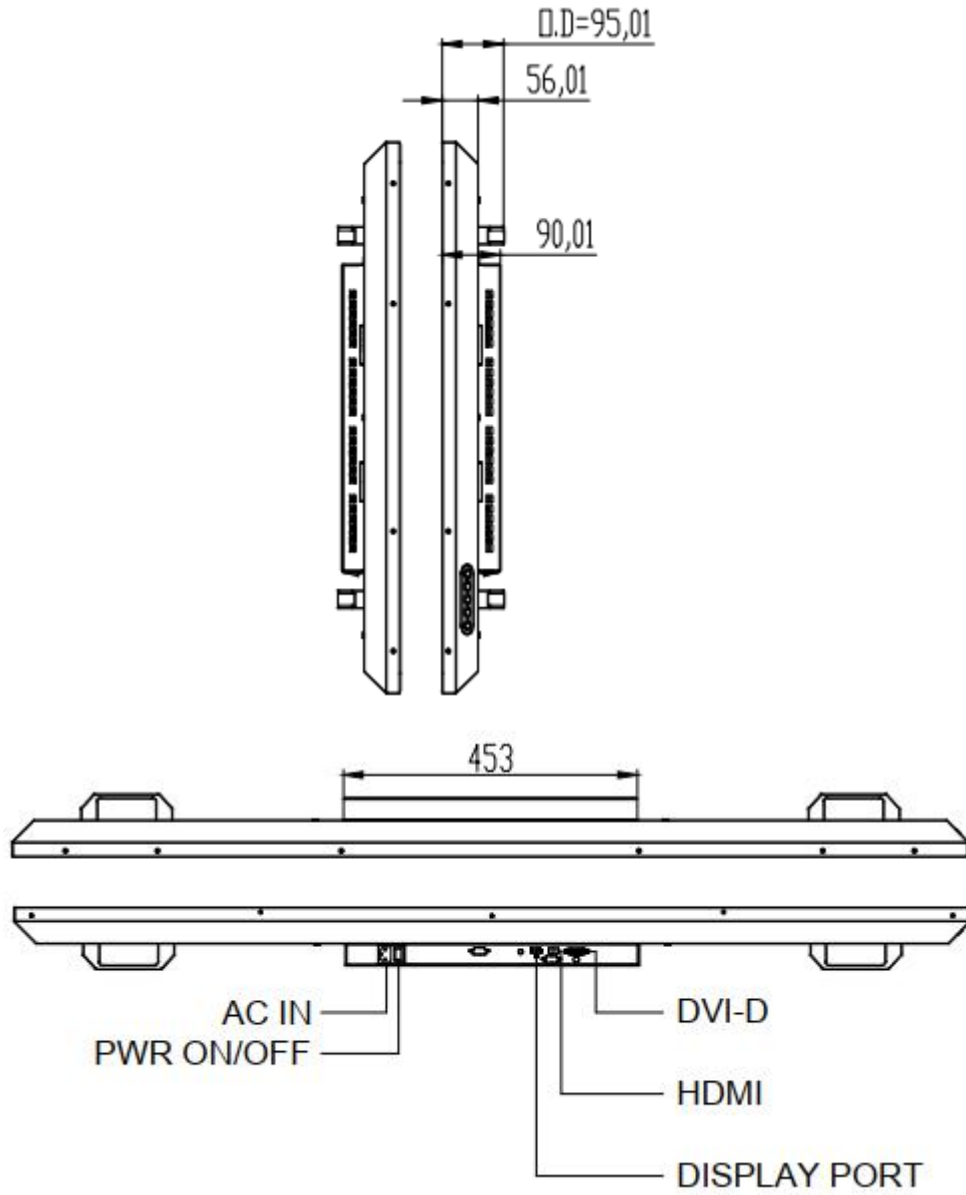


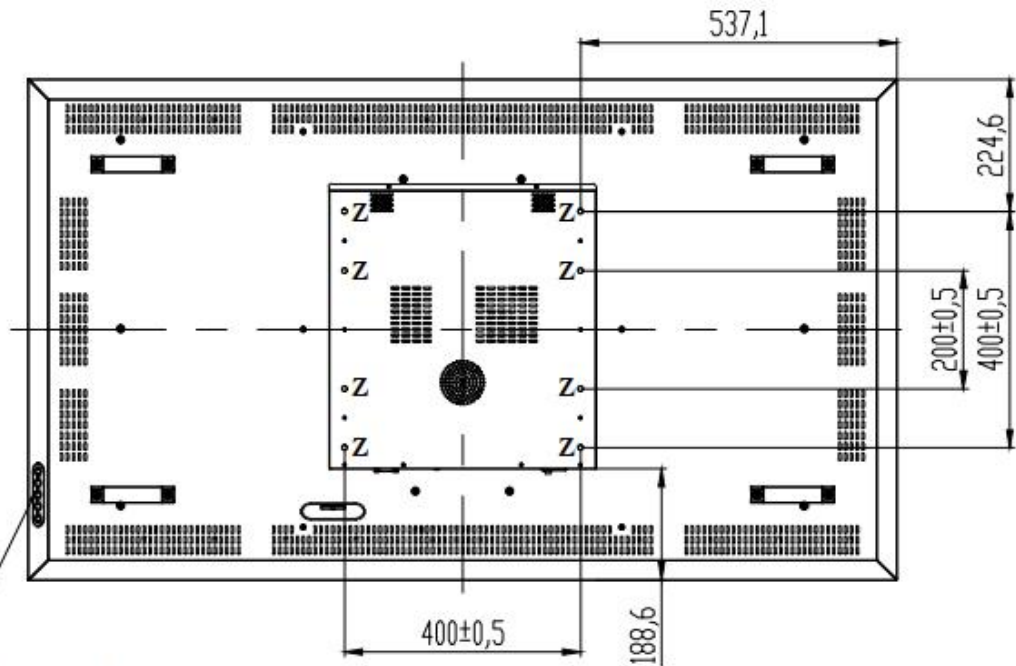
Mechanical Drawing

Outline Dimensions

Unit:mm







5-KEY MEMBRANE

Note:

O.D : Outline Dimension

B.O : Bezel Opening

A.A : LCD Active Area

Z:8-M8 USER HOLE _MAX. DEPTH=12mm

Ordering Information

Part Number	Description
DLD6501-LNU-N12	65",2500nits,3840*2160,HTNi,LID65A,AD2796DHP,Speaker*2,O/B,AC100~240V,V2

Optional Accessories

Part Number	Description
810618301010	CABLE,POWER,AC,1830mm USA type
810618301090	CABLE,POWER,AC,1830mm Europe type
810618301050	CABLE,POWER,AC,1830mm UK type
810618301170	CABLE,POWER,AC,1830mm Australia type
810618301031	CABLE,POWER,AC,1830mm Japan type

Customer request

Touch	PCT (Multi-Touch)
Glass	Tempered glass, AR coating.....