



DLD4901-L V1
49" TFT LCD, 3500 nits LED backlight, FHD(1920x1080)

The DLD4901-L is a 49 inch industrial grade sunlight readable LCD, with high brightness 3500 nits and high color saturation, it produce sharp images, crisp text and lifelike colors. The Durapixel LED backlight technology ensures high reliability and low power consumption, suitable for outdoor application, kiosk, factory automation, military, transportation and gaming application.

Key Features

- High Brightness 3500 nits
- Sunlight Readable
- LED Backlight
- LCD Blacking Defect Free (H-Tni 110°C)
- BL MTBF: 100,000 hours



Specifications

| | |
|---------------------------------|--|
| Model Name | DLD4901-L V1 |
| Description | 49" TFT LCD, LED Backlight 3500 nits, FHD (1920x1080) |
| Screen Size | 49" |
| Display Area (mm) | 1073.8(H) x 604(V) |
| Brightness | 3500 cd/m ² |
| Resolution | 1920 x 1080 |
| Aspect Ratio | 16 : 9 |
| Contrast Ratio | 1400:1 |
| Pixel Pitch (mm) | 0.5593(H) x 0.5593(V) |
| Pixel Pre Inch (PPI) | 45 |
| Viewing Angle | 178°(H),178°(V) |
| Color Saturation (NTSC) | 79% |
| Display Colors | 1.07G |
| Response Time (Typical) | 8ms |
| Panel Interface | LVDS |
| AD Board Input Interface | VGA, DVI-D, DP |
| Input Power | AC 100~240V |
| Power Consumption | 203W |
| OSD Key | 4 Keys (Power Switch, Menu, +, -) |
| OSD Control | Brightness, Color, Contrast, Auto Turing, H/V Position...etc |
| Dimensions (mm) | 1110 x 638.4 x 75.8 |
| Bezel Size(U/B/L/R) | 14.9/14.9/15.8/15.8 mm |
| Weight (Net) | 24kg |
| Mounting | 400x200, 400x300 mm |
| Operating Temperature | 0 °C ~ 50 °C |
| Storage Temperature | -20 °C ~ 60 °C |

DLD= Panel+ LED Driving Board + AD Control Board + Housing

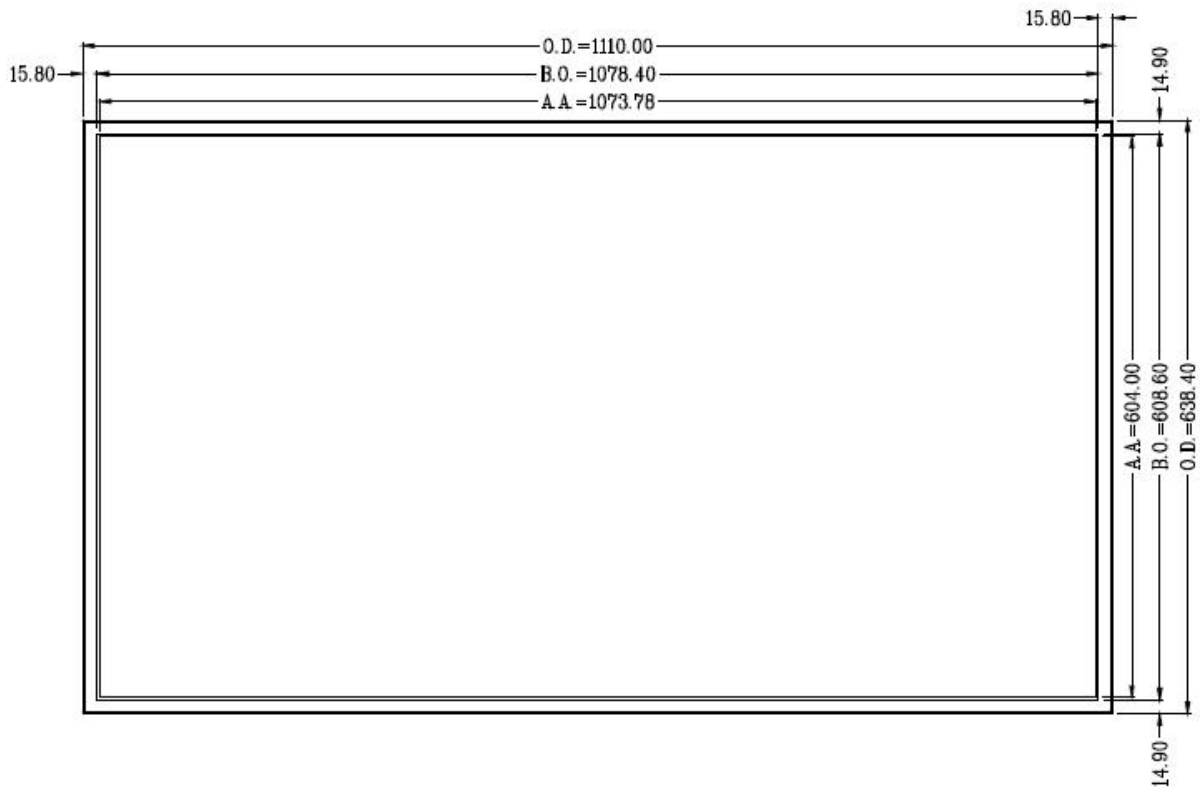
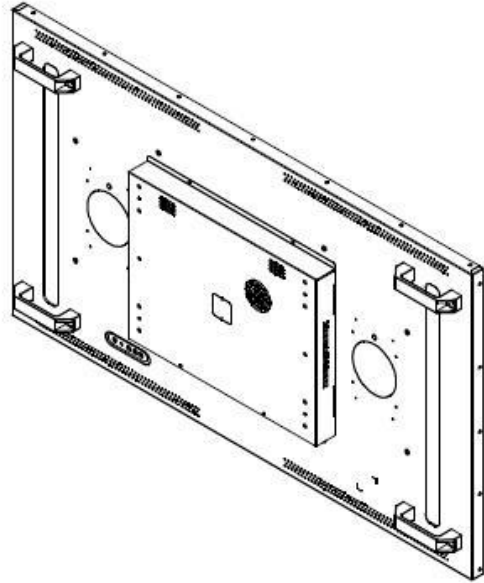
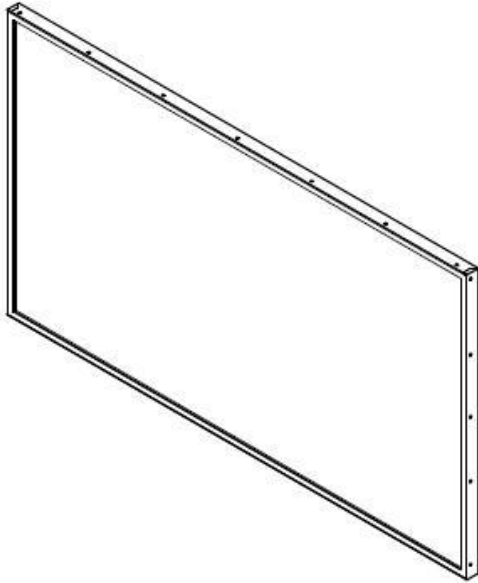
Specifications are subject to change without notice.
 All brands or product names are trademarks or registered trademarks of their respective companies.

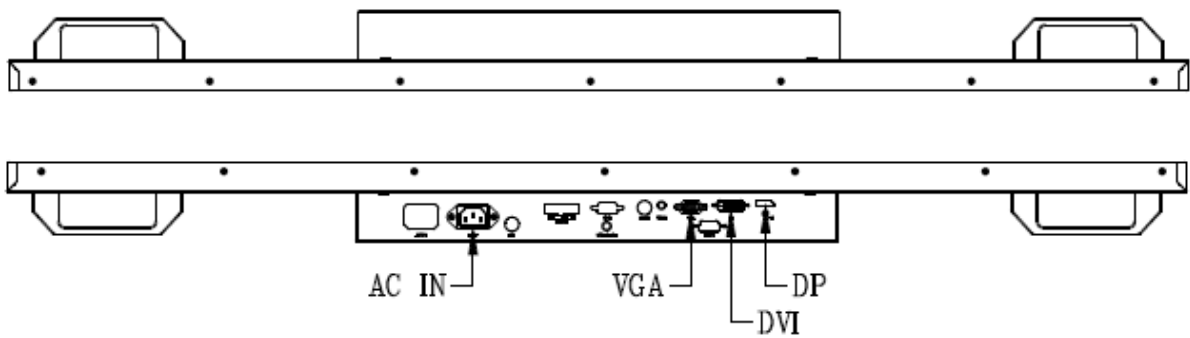
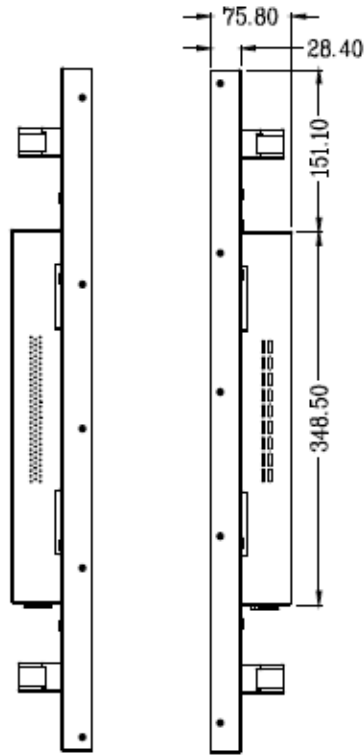


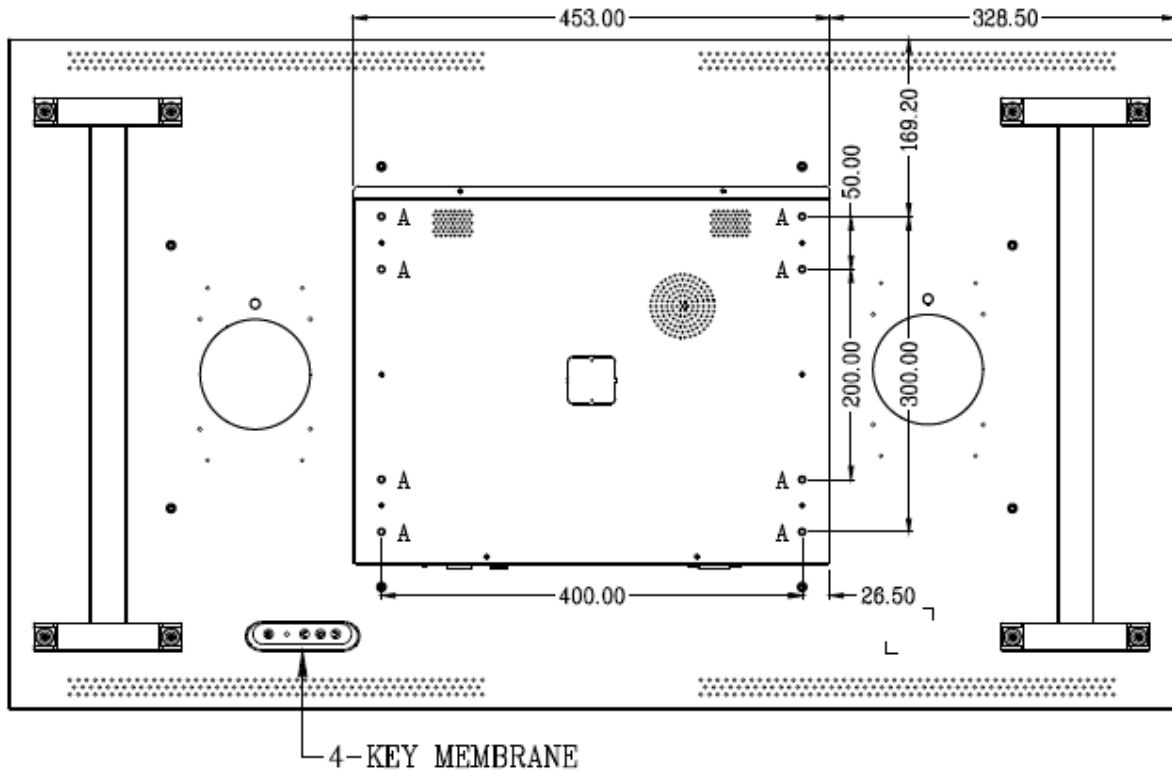
Mechanical Drawing

Outline Dimensions

Unit:mm







NOTE :

O.D. : OUTLINE DIMENSION

B.O. : BEZEL OPENING

A.A. : LCD ACTIVE AREA

A: 8-M6 USER HOLE_MAX DEPTH=20mm

Ordering Information

| Part Number | Description |
|------------------------|---|
| DLD4901-LNB-I01 | 49",3500nits,1920x1080,HTni,LID49A,AD6038GDP,O/B,AC100~240V,3in1,V1 |
| | |

Optional Accessories

| Part Number | Description |
|---------------------|--------------------------------------|
| 810618301010 | CABLE.POWER.AC.1830mm USA type |
| 810618301090 | CABLE,POWER,AC,1830mm Europe type |
| 810618301050 | CABLE.POWER.AC.1830mm UK type |
| 810618301170 | CABLE.POWER,AC,1830mm Australia type |
| 810618301031 | CABLE.POWER.AC.1830mm Japan type |
| | |

Customer request

| | |
|--------------|---------------------------------|
| Touch | PCT (Multi-Touch) |
| Glass | Tempered glass, AR coating..... |