



DLD3200-B 32" TFT LCD, 2000nits LED Backlight, 1920x1080

The DLD3200-B is 32 inch industrial grade sunlight readable LCD, with high brightness 2000 nits, it produces sharp images, crisp text and lifelike colors. The Durapixel LED backlight technology ensures high reliability and low power consumption, suitable for outdoor application, kiosk, digital signage in retail stores, conference rooms, broadcast studios, public information.

Key Features

- High brightness 2000nits
- Sunlight Readable
- LED Backlight
- Wide Viewing Angle of 178°(H), 178°(V)
- Wide Operation Temperature (-20 °C ~60°C)
- LCD Blacking Defect Free (H-Tni 105 °C)
- Low Power Consumption
- BL MTBF: 100,000 hours



Specifications

Model Name	DLD3200-B
Description	32" TFT LCD, 2000nits LED Backlight, 1920x1080
Screen Size	32"
Display Area (mm)	698.40(H) x 392.85(V)
Brightness	2000 cd/m ²
Resolution	1920x1080
Aspect Ratio	16 : 9
Contrast Ratio	1500 : 1
Pixel Pitch (mm)	0.36375(H) x 0.36375(V)
Pixel Per Inch (PPI)	69
Viewing Angle	178°(H),178°(V)
Color Saturation (NTSC)	82%
Display Colors	16.7M
Response Time (Typical)	8ms
Panel Interface	LVDS
Input Interface	DVI-I, HDMI, DP
Input Power	AC100~240V
Power Consumption	72W
OSD Key	4 Keys (Power Switch, Menu, +, -)
OSD Control	Brightness, Color, Contrast, Auto Turing, H/V Position...etc
Dimensions (mm)	735.4 x 429.7 x 59.3
Bezel Size(U/B/L/R)	17.9/19/18.5/18.5 mm
Mounting	100x100mm, 200x200mm
Weight (Net)	9.6kg
Operating Temperature	-20 °C ~ 60 °C
Storage Temperature	-20 °C ~ 70 °C

[DLD= Panel + LED Driving Board + AD Control Board + Housing](#)

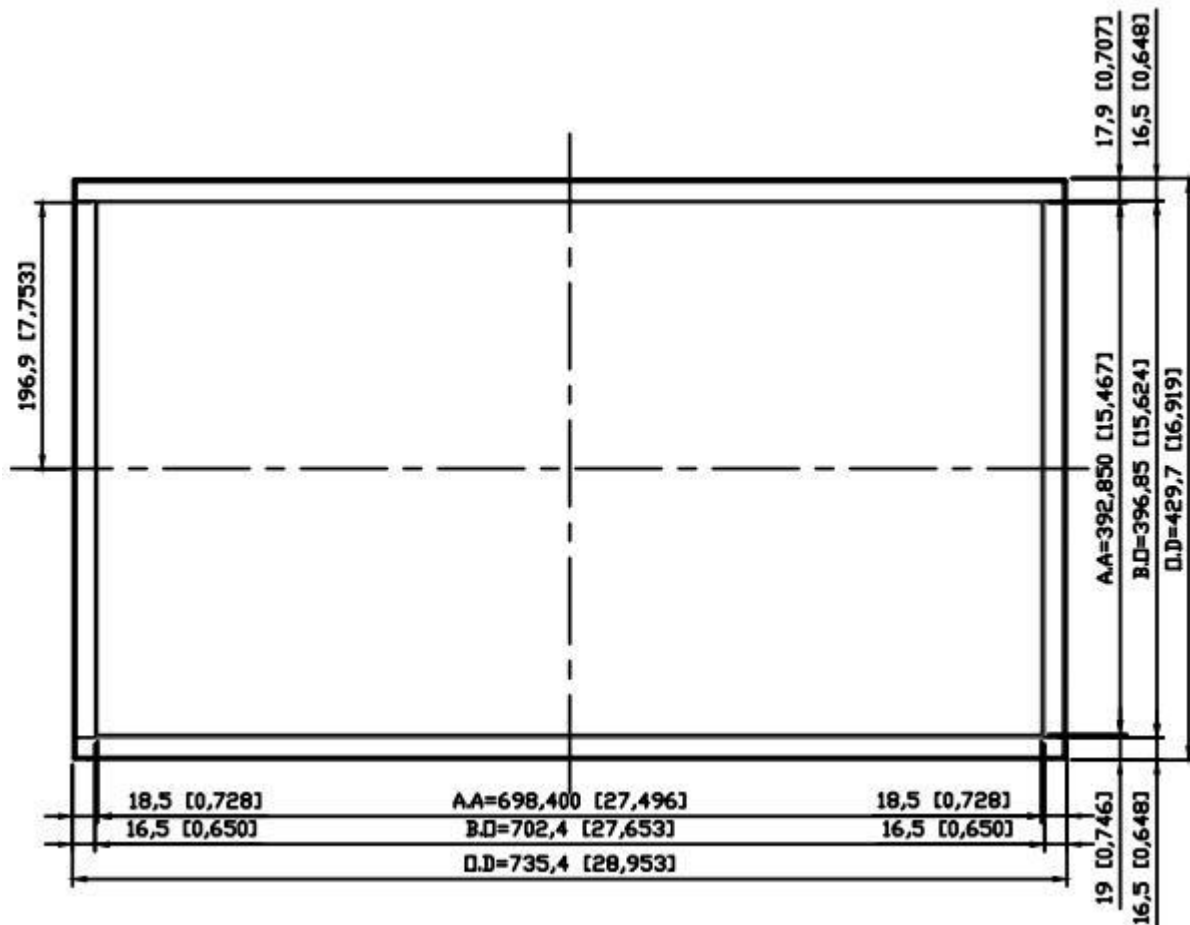
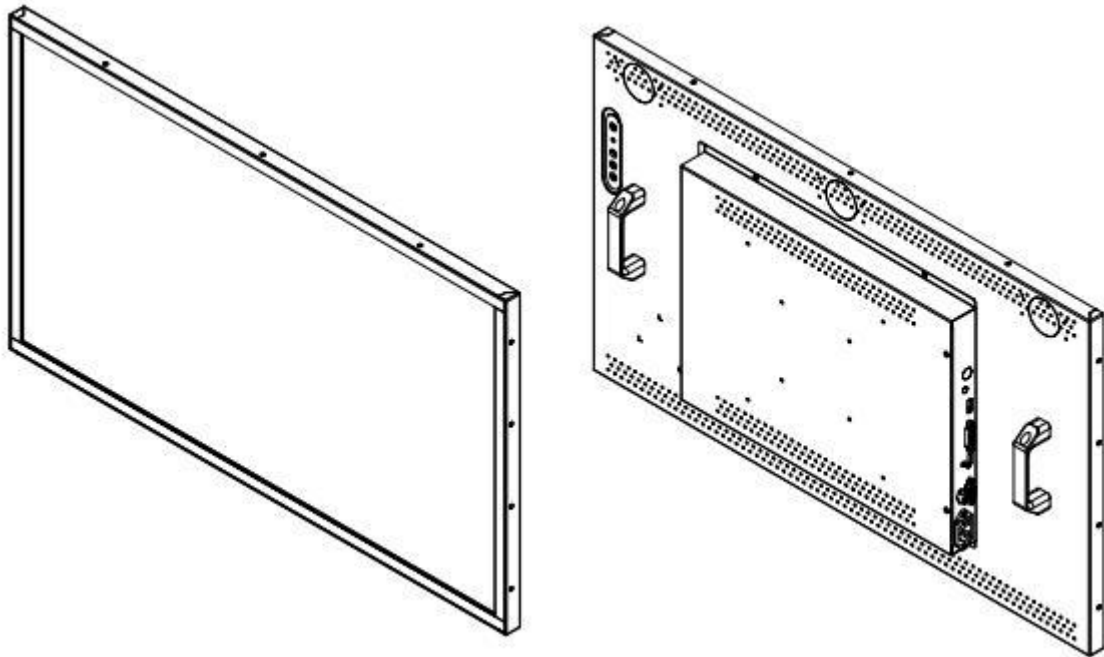
Specifications are subject to change without notice.
All brands or product names are trademarks or registered trademarks of their respective companies.

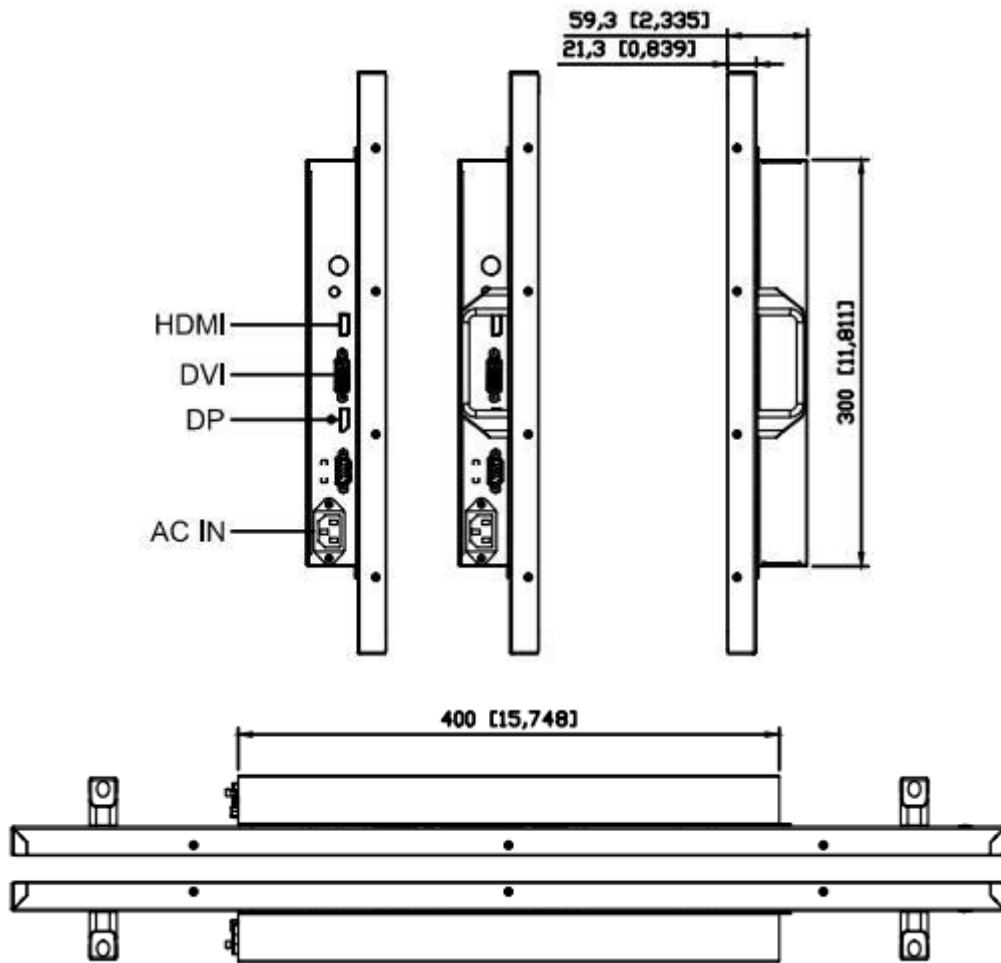


Mechanical Drawing

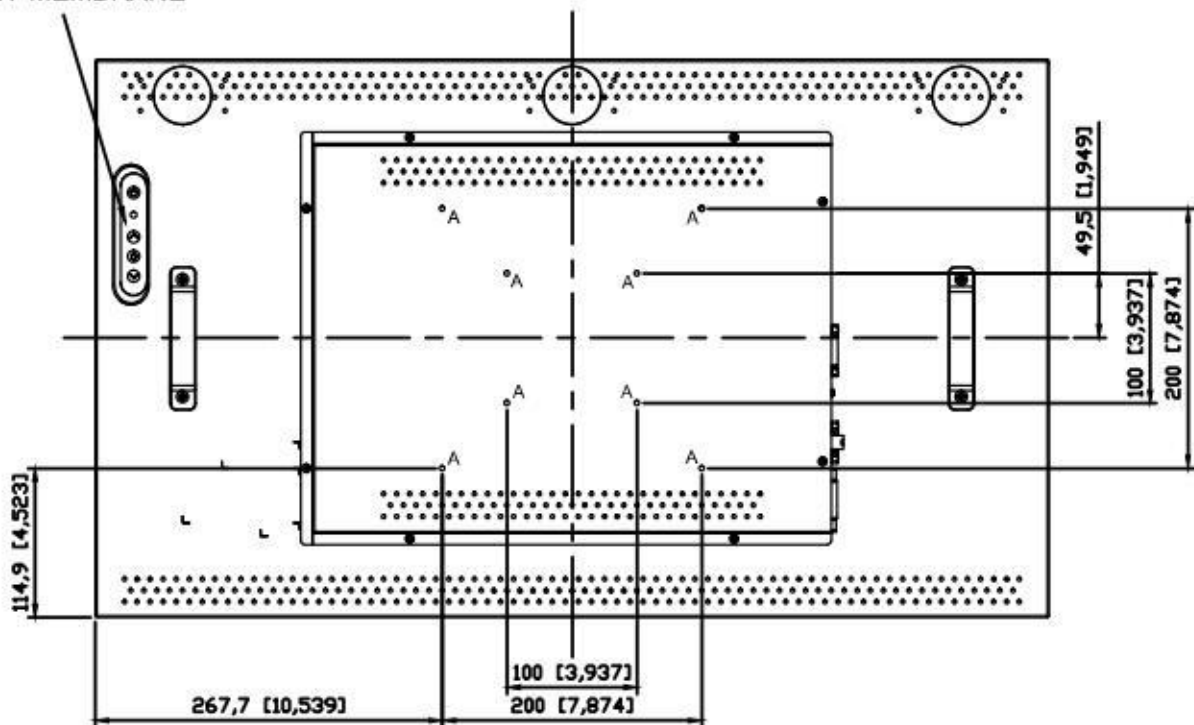
Outline Dimensions

Unit:mm





4-KEY MEMBRANE





Note :

O.D : Outline Dimension

B.O : Bezel Opening

A.A : LCD Active Area

A:8-M4_USER_HOLE_MAX_DEPTH=6mm

Ordering Information

Part Number	Description
DLD3200-BNE-Q11	32",2000nits,1920x1080,T2060,HTni,LID32C,AD8891DHP,O/B,AC100~240V,V1

Optional Accessories

Part Number	Description
810618301010	CABLE,POWER,AC,1830mm USA type
810618301090	CABLE,POWER,AC,1830mm Europe type
810618301050	CABLE,POWER,AC,1830mm UK type
810618301170	CABLE,POWER,AC,1830mm Australia type
810618301031	CABLE,POWER,AC,1830mm Japan type

Customer request

Touch	PCT (Multi-Touch)
Glass	Tempered glass, AR coating.....