

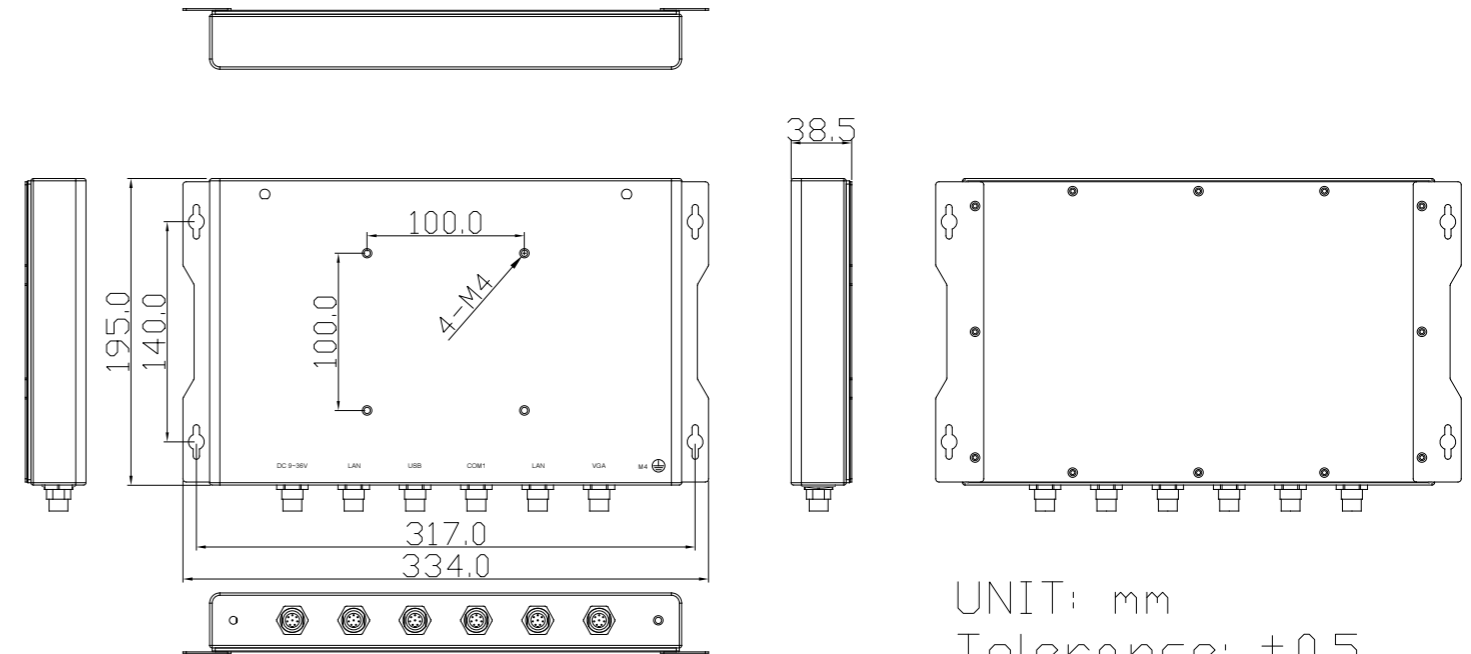
Features

- Intel 6th Gen. Core i5/i3 Processor
- SUS 316 Stainless Steel
- Total IP66 Grade with M12 Waterproof Connector
- Variety of IO applications
- WLAN for Option
- Wide range DC 9~36V Power Input
- Support Panel Mount & VESA Mount
- Fanless Design
- ATEX/IECEX Zone2, Zone22 and C1D2/C2D2/C3 Certified

Specifications

System	
CPU	Onboard 6th Gen Intel Core i7-6600U Processor(4M Cache,2.60 GHz) Intel Core i5-6200U Processor(3M Cache,2.30 GHz) Intel Core i3-6100U Processor(3M Cache,2.30 GHz)
System Chipset	SoC
Memory	1 x 260-pin SO-DIMM up to 16GB DDR4 2133MHz
IO Port	
USB	1 x M12 8-pin for 2 x USB 2.0 with waterproof cover and chain
Serial/Parallel	1 x M12 8-pin for COM1, RS-232/422/485, default RS-232, with waterproof cover and chain
Graph	1 x M12 12-pin for VGA with waterproof cover and chain
LAN	2 x M12 8-pin for LAN with waterproof cover and chain
Power	1 x M12 3-pin for DC power with waterproof cover and chain
Storage Space	
Storage	1 x 2.5" HDD or SSD space
Expansion	
Expansion Slot	1 x Mini-PCIe slot (full size) for option WLAN/BT module
Power	
Power Input	DC 9~36V
Power Consumption	Max: 45.7W
Mechanical	
Construction	316 Stainless Steel Chassis
Mounting	VESA mount 100 x 100, Wall mount
IP Rating	Total IP66
Dimensions	334 x 195 x 38.5mm
Net Weight	4.0 kg
Environmental	
Operating Temperature	-20~60°C
Storage Temperature	-30~70°C
Humidity	10 to 95% @ 40°C, non-condensing
Certificate	CE / FCC Class A ATEX / IECEX Zone2 Ex ec IIC T4 Gc ATEX / IECEX Zone22 Ex tc IIIC T135°C Dc Class I, Division2, Group A,B,C,D,T4 Class II, Division2, Group F,G, T135°C Class III ANSI/ISA 12.12-01-2013 CSA Std., C22 No213-1987

Dimensions



UNIT: mm
Tolerance: ±0.5

Operating System Support

Windows 7 Pro for Embedded
Windows Embedded Standard 7
Windows Embedded 8.1 Industry Pro
Windows Embedded 8 Standard
Windows 10 IoT ENT LTSB

Ordering Information

AEx-2411 Fanless Box PC module, Intel Core™i5-6300U, 16GB DDR4 memory on board, 1 x 256GB 2.5" MLC SSD, 1 x 64GB mSATA MLC SSD, Projected capacitive touch, DC9~36V power input with power adapter, 316 stainless steel enclosure, support VESA Mount, WT-20~60
Accessory : 1 x M12 for 2 x USB2.0 Cable, 2 x M12 LAN cable, 1 x M12 COM Cable, 1 x VGA Cable, 1 x 3pin power input cable (w/o Adapter)