



I-8068W-G

4-channel Form A Relay Output and
4-channel Form C Relay Output Module

Features

- Form A & Form C Relay Output
- ± 4 kV ESD Protection
- Wide Operating Temperature Range: $-25 \sim +75$ °C



Introduction

The I-8068W provides 4 Form A power relay output channels and 4 Form C power relay output channels. The I-8068W include 8 LED indicators for monitoring the relay output status.

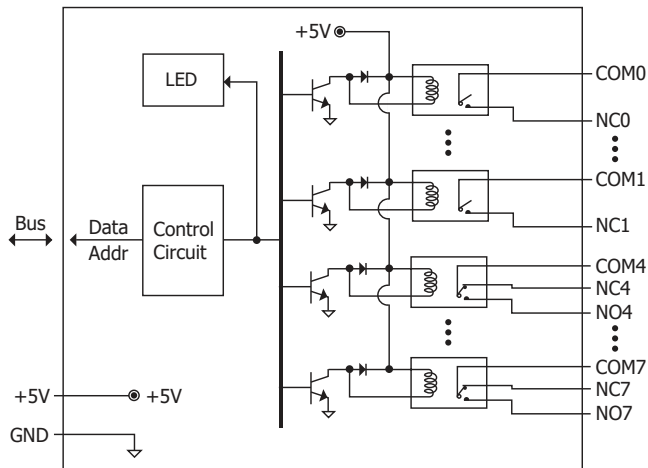
System Specifications

LED Indicators/Display	
System LED Indicators	1 LED as Power Indicator
I/O LED Indicators	8 LEDs as Power Relay Output Indicators
Isolation	
Intra-module Isolation, Field-to-Logic	3750 VDC
EMS Protection	
ESD (IEC 61000-4-2)	± 4 kV Contact for each Terminal
Power	
Power Consumption	2.5 W max.
Mechanical	
Dimensions (W x L x H)	30 mm x 102 mm x 115 mm
Environment	
Operating Temperature	$-25 \sim +75$ °C
Storage Temperature	$-40 \sim +85$ °C
Humidity	10 ~ 90% RH, Non-condensing

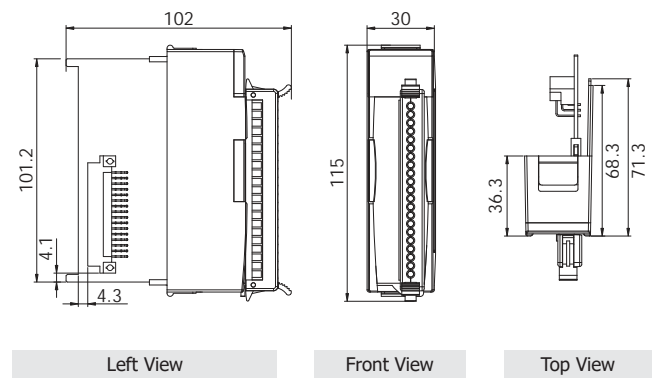
I/O Specifications

Relay Output		
Channels		8 (4 x Form A, 4 x Form C)
Type		Power Relay
Form A	Contact Rating	5 A @ 250 VAC; 5 A @ 28 VDC
	Operate Time	15 ms Max.
	Release Time	4 ms Max.
	Electrical Endurance	100,000 ops. (rated load)
	Mechanical Endurance	100,000,000 ops. (no load)
Form C	Contact Rating	5 A (NO)/3 A (NC) @ 30 VDC 5 A (NO)/3 A (NC) @ 277 VAC
	Operate Time	10 ms Max.
	Release Time	5 ms Max.
	Electrical Endurance	100,000 ops. (rated load)
	Mechanical Endurance	50,000,000 ops. (no load)

Internal I/O Structure



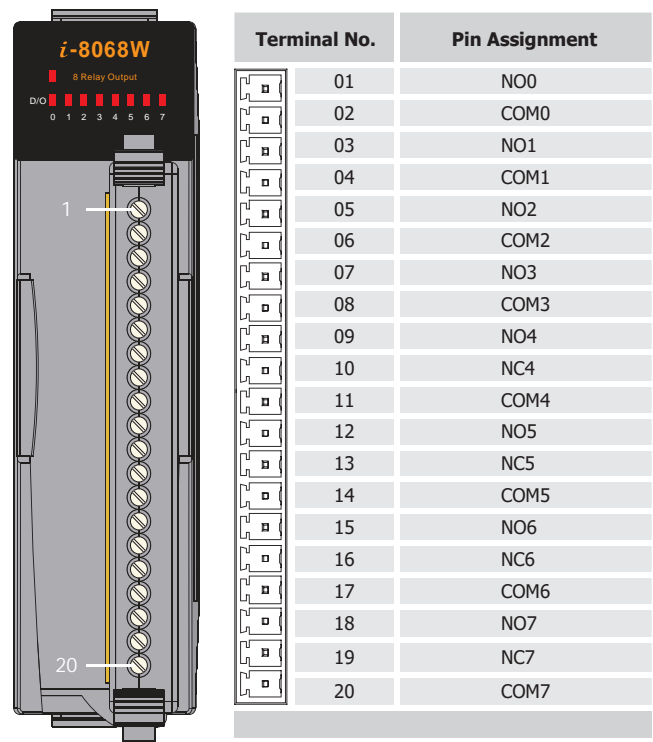
Dimensions (Units: mm)



Wire Connections

Output Type	ON State Readback as 1	OFF State Readback as 0
Form A Relay Contact	Relay ON 	Relay OFF
	Relay ON 	Relay OFF
Form C Relay Contact	Relay ON 	Relay OFF
	Relay ON 	Relay OFF

Pin Assignments



Ordering Information

I-8068W-G CR	4-channel Form A Relay Output and 4-channel Form C Relay Output Module (Gray Cover) (RoHS)
--------------	--