



I-8057W-G

16-channel Isolated Digital Output Module

I-8057PW-G

16-Channel Isolated Self Protected Digital Output Module

Features

- 16-channel Open Collector Output
- Sink-type Digital Output
- Short circuit protection, Overvoltage Protection and Overload Protection for I-8057PW
- 3750 Vdc Intra-module Isolation



Introduction

The I-8057W/I-8057PW module offers 16 Digital Output channels, each of which features Photocouple isolation and supports sink-type output using an Open Collector. The I-8057W/I-8057PW includes 16 LED indicators that can be used to monitor the status of the Digital Output channels. 4 kV ESD protection and 3750 Vdc intra-module isolation is provided as standard.

The I-8057PW integrates over-current, over-voltage and short-circuit functionality. ICP DAS recommends selecting either the "PW" version of the digital output module for industrial use.

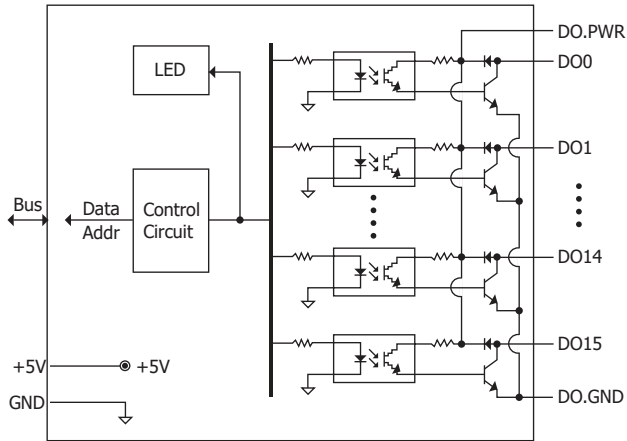
System Specifications

Model	I-8057W	I-8057PW
LED Indicators/Display		
System LED Indicator	1 LED as Power Indicator	
I/O LED Indicator	16 LEDs as Digital Output Indicators	
Isolation		
Intra-module Isolation, Field-to-Logic	3750 Vdc	
EMS Protection		
ESD (IEC 61000-4-2)	±4 kV Contact for each Terminal	
Power		
Power Consumption	0.9 W max.	
Mechanical		
Dimensions (W x L x H)	30 mm x 102 mm x 115 mm	
Environment		
Operating Temperature	-25 ~ +75 °C	
Storage Temperature	-40 ~ +85 °C	
Humidity	10 ~ 90% RH, Non-condensing	

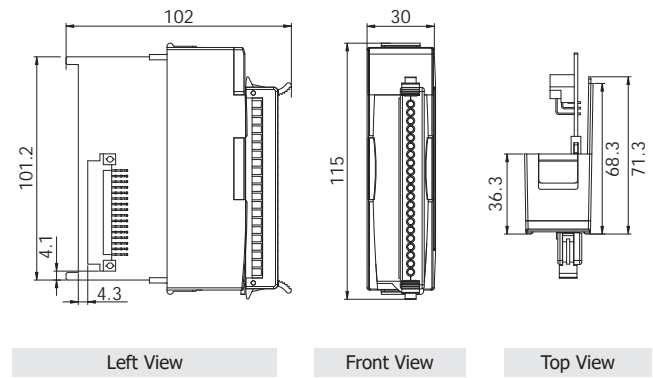
I/O Specifications

Model	I-8057W	I-8057PW
Digital Output		
Channels	16	
Type	Isolated Open Collector	
Sink/Source (NPN/PNP)	Sink	
Max Load Current	100 mA/Channel	
Load Voltage	+5 ~ +30 VDC	+10 ~ +50 VDC
Overvoltage Protection	-	+60 VDC
Overload Protection	-	1.1 A
Short-circuit Protection	-	Yes

Internal I/O Structure



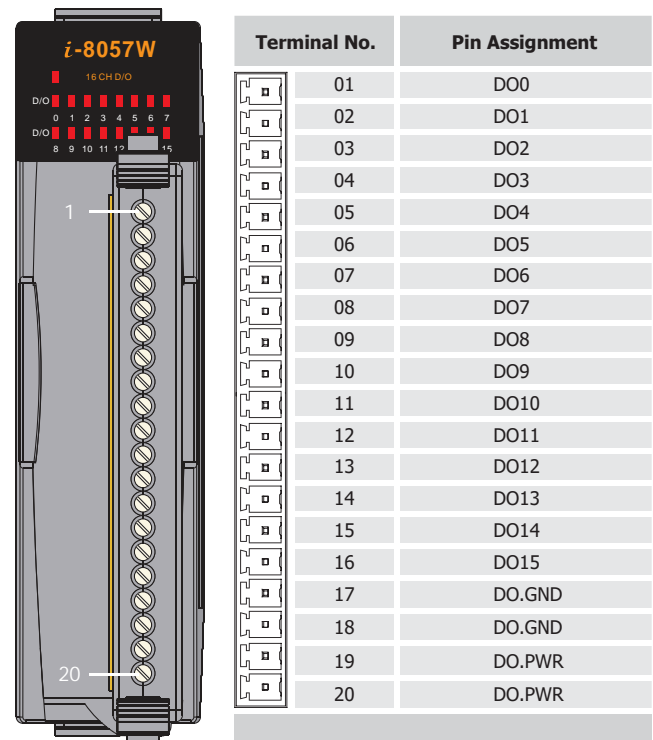
Dimensions (Units: mm)



Wire Connections

Input Type	ON State LED ON Readback as 1	OFF State LED OFF Readback as 0
Drive Relay	Relay ON 	Relay OFF
Resistance Load		

Pin Assignments



Ordering Information

I-8057W-G CR	16-channel Isolated Digital Output Module (Gray Cover) (RoHS)
I-8057PW-G CR	16-channel Isolated Self Protected Digital Output Module (Gray Cover) (RoHS)