



I-8055W-G

8-channel Non-isolated Digital Input and
8-channel Non-isolated Digital Output Module

Features

- 8-channel Non-isolated Digital Input and 8-channel Non-isolated Digital Output
- Sink-type Digital Output Channels
- Dry Contact Digital Input Channels
- 4 kV ESD Protection
- Wide Operating Temperature Range: -25 ~ +75 °C



Introduction

The I-8055W module offers 8 Non-isolated Digital Input channels and 8 Non-isolated Digital Output channels. The I-8055W supports sink-type Digital Output and Digital Input with dry contact connections. The I-8055W includes 16 LED indicators that can be used to monitor the status of the Digital Input and Digital Output channels, and options are available for configuring both power-on and safe values. 4 kV ESD protection is provided for the Digital Input and Digital Output channels as standard.

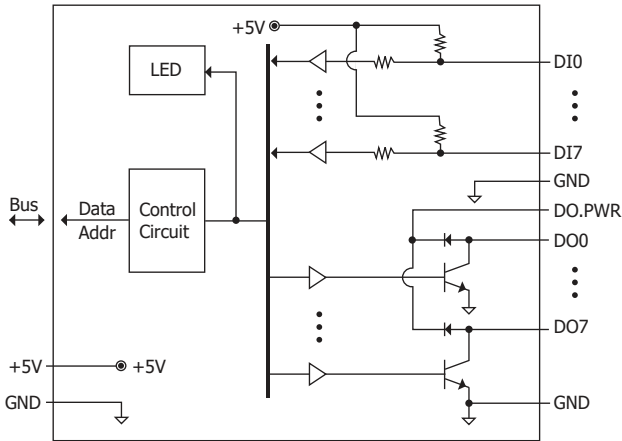
System Specifications

LED Indicators/Display	
System LED Indicators	1 as Power Indicator
I/O LED Indicators	16 LEDs as Digital Input & Digital Output Indicators
Isolation	
Intra-module Isolation, Field-to-Logic	-
EMS Protection	
ESD (IEC 61000-4-2)	±4 kV Contact for each Terminal
Power	
Power Consumption	1 W max.
Mechanical	
Dimensions (W x L x H)	30 mm x 102 mm x 115 mm
Environment	
Operating Temperature	-25 ~ +75 °C
Storage Temperature	-40 ~ +85 °C
Humidity	10 ~ 90% RH, Non-condensing

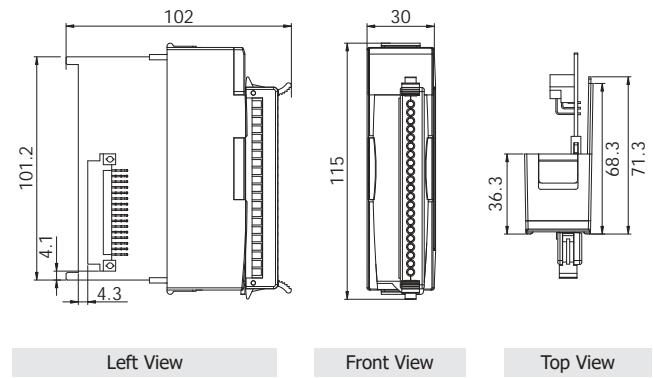
I/O Specifications

Digital Input	
Channels	8
Type	Non-isolated Digital logic
Sink/Source	Source
ON Voltage Level	Connect to GND
OFF Voltage Level	Open
Digital Output	
Channel	8
Type	Non-isolated Open Collector
Sink/Source (NPN/PNP)	Sink
Load Voltage	+5 ~ +30 VDC
Max. Load Current	100 mA/Channel

Internal I/O Structure



Dimensions (Units: mm)

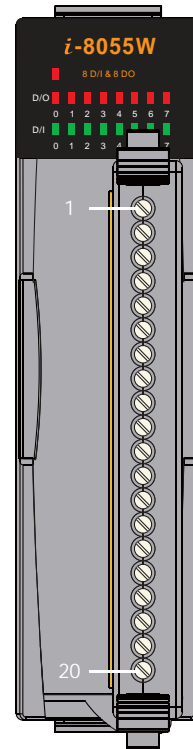


Wire Connections

Input Type	ON State LED ON Readback as 0	OFF State LED OFF Readback as 1
Relay Contact	Relay ON 	Relay OFF
TTL/CMOS Logic	Voltage < 1 V 	Voltage > 3.5 V
Open Collector	Open Collector ON 	Open Collector OFF

Input Type	ON State LED ON Readback as 1	OFF State LED OFF Readback as 0
Drive Relay	Relay ON 	Relay OFF
Resistance Load		

Pin Assignments



Terminal No.	Pin Assignment
01	DI0
02	DI1
03	DI2
04	DI3
05	DI4
06	DI5
07	DI6
08	DI7
09	GND
10	GND
11	GND
12	DO0
13	DO1
14	DO2
15	DO3
16	DO4
17	DO5
18	DO6
19	DO7
20	DO.PWR

Ordering Information

I-8055W-G CR	8-channel Non-isolated Digital Input and 8-channel Non-isolated Digital Output Module (Gray Cover) (RoHS)
---------------------	---