



I-8052W-G

8-channel Isolated Digital Input Module

Features

- 8-channel Isolated Digital Input
- 2 kV Channel-to-Channel Isolation
- Sink- or Source-type Input
- ± 4 kV ESD Protection
- Wide Operating Temperature Range: $-25 \sim +75$ °C



Introduction

The I-8052W module offers 8 fully independent differential Digital Input channels that feature 2 kV channel-to-channel Photocouple isolation. In addition, either sink- or source-type input can be selected via the wire connections. The I-8052W also includes 8 LED indicators that can be used to monitor the status of the Digital Input channels.

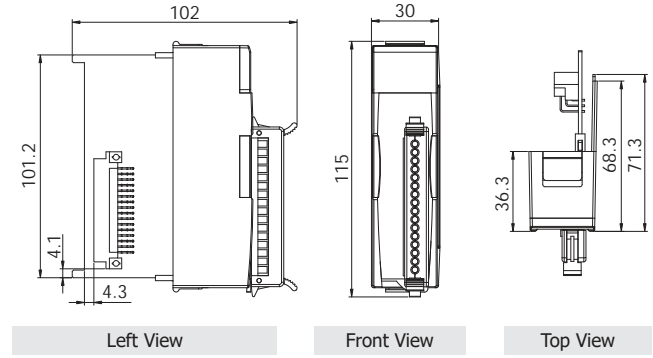
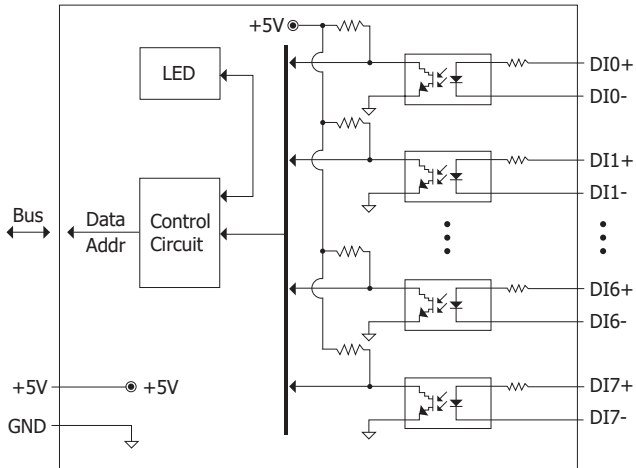
System Specifications

LED Indicators/Display	
System LED Indictors	1 LED as Power Indicator
I/O LED Indicators	8 LEDs as Digital Input Indicators
Isolation	
Intra-module Isolation, Field-to-Logic	5000 VDC
EMS Protection	
ESD (IEC 61000-4-2)	± 4 kV Contact for each Terminal
Power	
Power Consumption	0.3 W max.
Mechanical	
Dimensions (W x L x H)	30 mm x 102 mm x 115 mm
Environment	
Operating Temperature	$-25 \sim +75$ °C
Storage Temperature	$-40 \sim +85$ °C
Humidity	10 ~ 90% RH, Non-condensing

I/O Specifications

Digital Input	
Channels	8
Type	Differential
Sink/Source	Sink, Source
On Voltage Level	+10 ~ +30 Vdc
Off Voltage Level	+4 VDC max.
Input Impedance	3 K Ω , 0.25 W
4KV ESD Protection	Contact for each channel

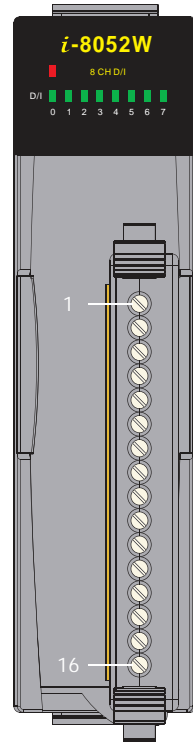
Internal I/O Structure



Wire Connections

Input Type	ON State LED ON Readback as 1	OFF State LED OFF Readback as 0
Relay Contact	Relay ON 	Relay OFF
TTL/CMOS Logic	Voltage > 10 V Logic Power Logic Level Low 	Voltage < 4 V Logic Power Logic Level High
Open Collector	Open Collector ON 	Open Collector OFF

Pin Assignments



Terminal No.	Pin Assignment
01	DI0+
02	DI0-
03	DI1+
04	DI1-
05	DI2+
06	DI2-
07	DI3+
08	DI3-
09	DI4+
10	DI4-
11	DI5+
12	DI5-
13	DI6+
14	DI6-
15	DI7+
16	DI7-

Ordering Information

I-8052W-G CR	8-channel Isolated Digital Input Module (Gray Cover) (RoHS)
---------------------	---