



I-8037W

16-channel Isolated Open Collector Output Module

Features

- 16 Isolated Open-Collector Output Channel
- Support Source Type Digital Input
- Photocouple Isolation Protection
- Channel Status LED Indicators
- 4 kV ESD Protection
- 3750 Vrms Intra-module Isolation



Introduction

The I-8037W provides 16 channels for Digital Output, each of which features Photocouple-isolation. The I-8037W supports Source Type output with short circuit protection and each channel can drive 100 mA load. There are options for configuring power-on and safe digital output values. ± 4 kV ESD protection and 3750 VDC intra-module isolation are also provided to enrich the noise protection ability for industrial environment.

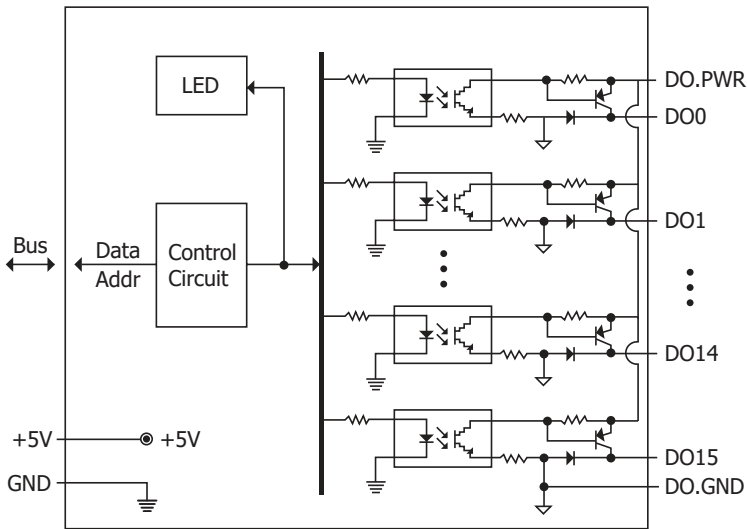
System Specifications

LED Indicators/Display	
System LED Indicators	1 LED as Power Indicator
I/O LED Indicators	16 LEDs as Digital Input Indicators
Isolation	
Intra-module Isolation, Field-to-Logic	3750 Vrms
EMS Protection	
ESD (IEC 61000-4-2)	± 4 kV Contact for each Terminal
Power	
Power Consumption	0.9 W Max.
Mechanical	
Dimensions (W x L x H)	30 mm x 102 mm x 115 mm
Environment	
Operating Temperature	-25 ~ +75 °C
Storage Temperature	-40 ~ +85 °C
Humidity	10 ~ 90 % RH, Non-condensing

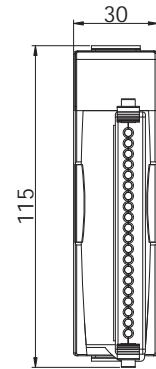
I/O Specifications

Digital Output	
Channels	16
Type	Isolated Open Collector
Sink/Source (NPN/PNP)	Source
Load Voltage	+5 ~ +30 VDC
Load Current	100 mA/Channel

Internal I/O Structure



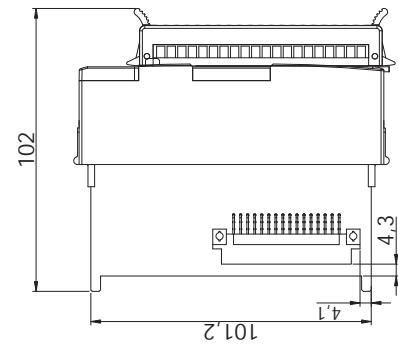
Dimensions (Units: mm)



Front View

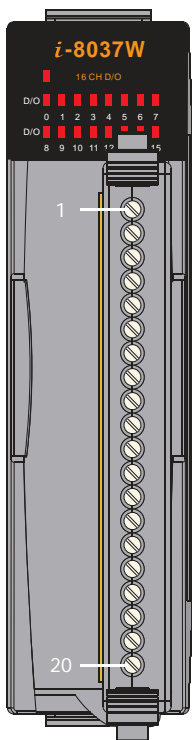
Wire Connections

Output Type	ON State Readback as 1	OFF State Readback as 0
Drive Relay	Relay ON 	Relay OFF
	Resistance Load 	Resistance Load

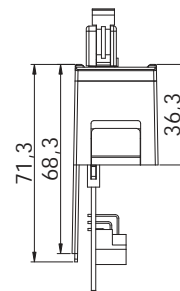


Left View

Pin Assignments



Terminal No.	Pin Assignment
01	DI.COM0
02	DI0
03	DI1
04	DI2
05	DI3
06	DI.COM1
07	DI4
08	DI5
09	DI6
10	DI7
11	DI.COM2
12	DI8
13	DI9
14	DI10
15	IN11
16	DI.COM3
17	DI12
18	DI13
19	DI14
20	DI15



Top View

Ordering Information

I-8037W-G CR

16-channel Isolated Open Collector Digital Output Module (RoHS)