



I-8024W

4 Channel Isolated Voltage/Current Output Module

Features

- 4 Channel Voltage/Current Output
- Sink Current Output Wiring
- Individual Channel Configuration
- 4 kV ESD Protection
- 3000 VDC Intra-module Isolation



Introduction

The I-8024W is a 14-bit Analog Output Module, which offers 4 single-ended analog output channels. Each channel can be programmed to an individual output range of ± 10 VDC or $0 \sim +20$ mA. The I-8024W provides RF immunity level matching that defined by IEC 61000-4-3 standard, together with ± 4 kV ESD protection as well as 3000 VDC intra-module isolation.

Application

- Building Automation
- Machine Automation
- Remote Diagnosis
- Factory Automation
- Remote Maintenance
- Testing Equipment

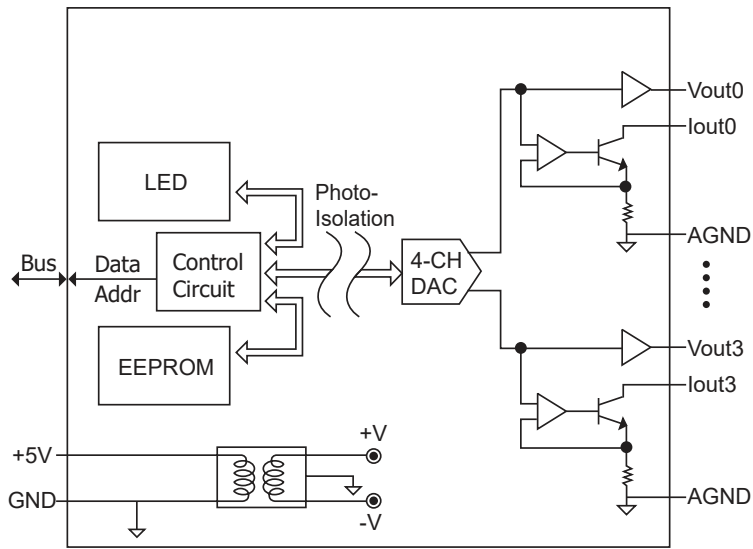
System Specifications

Model	I-8024W
LED Display	
System LED Indicator	1 LED as Power Indicator
Isolation	
Intra-module Isolation, Field-to-Logic	3000 VDC
EMS Protection	
ESD (IEC 61000-4-2)	± 4 kV Contact for each Terminal
Power	
Consumption	2 W Max.
Mechanical	
Dimensions (W x L x H)	31 mm x 129 mm x 114 mm
Environment	
Operating Temperature	$-25 \sim +75$ °C
Storage Temperature	$-40 \sim +85$ °C
Humidity	10 ~ 90 % RH, Non-condensing

I/O Specifications

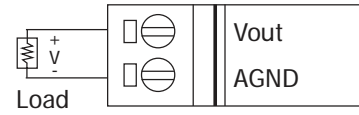
Model	I-8024W
Analog Output	
Channels	4
Current Output Wiring	Sink
Resolution	14-bit
Range	± 10 VDC, $0 \sim +20$ mA
Accuracy	Voltage: $\pm 0.1\%$ of FSR Current: $\pm 0.2\%$ of FSR
Zero Drift	Voltage: ± 30 μ V/ °C Current: ± 0.2 μ A/ °C
Span Drift	± 20 ppm/°C
Response Time	25 μ s per channel
Programmable Output Slope	Voltage: 0.72 V / μ s Current: 0.107 mA / μ s
Readback Accuracy	$\pm 1\%$ of FSR
Voltage Output Capability	10 VDC @ 20 mA
Current Load Resistance	External +24 VDC: 1050 Ω
Isolation	
Reverse Polarity Protection	Yes
Powered from Terminal Block	15 ~ 30 VDC
Isolation	3000 VDC

Internal I/O Structure

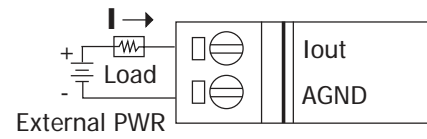


Wire Connections

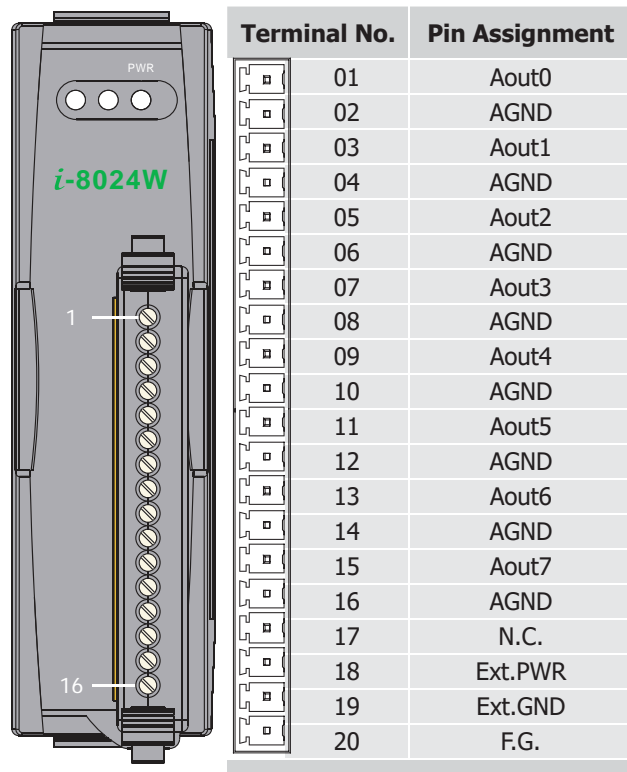
Voltage Output Wiring



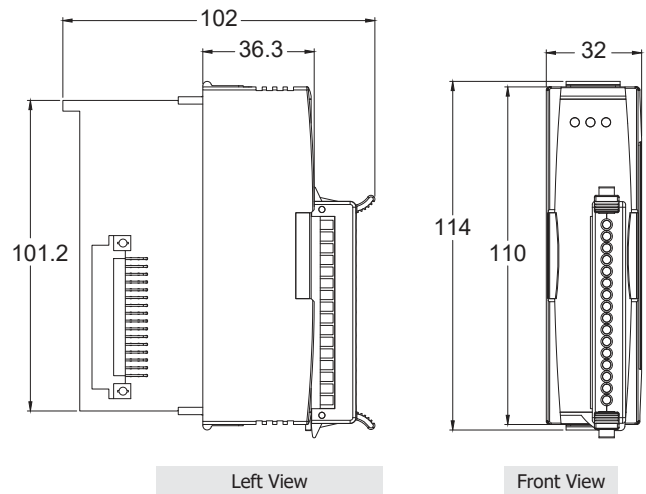
Current Output Wiring



Pin Assignments



Dimensions (Units: mm)



Ordering Information

I-8024W-G CR	4-channel Isolated Analog Output Module (RoHS)
---------------------	--