



## I-8024UW

4 Channel Isolated  
Analog Output Module

## I-8028UW

8 Channel Isolated  
Analog Output Module

### Introduction

The I-8024UW and I-8028UW are Source Type Analog Output Modules, offering 4 and 8 single-ended Analog Output channels. Each channel can be programmed to an individual output range of 0 ~ 5 VDC, ±5 VDC, 0 ~ 10 VDC, ±10 VDC, +4 ~ +20 mA or 0 ~ +20 mA.

Open wire detection is provided for +4 ~ +20 mA output. Options for configuring power-on and safe values are included, together with qualification for ±4 kV ESD protection as well as 2500 VDC intramodule isolation.

### Application

- Data Acquisition System
- Vibration Analysis
- Process Monitoring and Control
- Factory Automation

### System Specifications

| Model                                  | I-8024UW                        | I-8028UW |
|--|---------------------------------|----------|
| <b>LED Display</b>                     |                                 |          |
| System LED Indicator                   | 1 LED as Power Indicator        |          |
| <b>Isolation</b>                       |                                 |          |
| Intra-module Isolation, Field-to-Logic | 2500 VDC                        |          |
| <b>EMS Protection</b>                  |                                 |          |
| ESD (IEC 61000-4-2)                    | ±4 kV Contact for each Terminal |          |
| <b>Power</b>                           |                                 |          |
| Consumption                            | 2 W Max.                        |          |
| <b>Mechanical</b>                      |                                 |          |
| Dimensions (W x L x H)                 | 31 mm x 129 mm x 114 mm         |          |
| <b>Environment</b>                     |                                 |          |
| Operating Temperature                  | -25 ~ +75 °C                    |          |
| Storage Temperature                    | -40 ~ +85 °C                    |          |
| Humidity                               | 10 ~ 90 % RH, Non-condensing    |          |

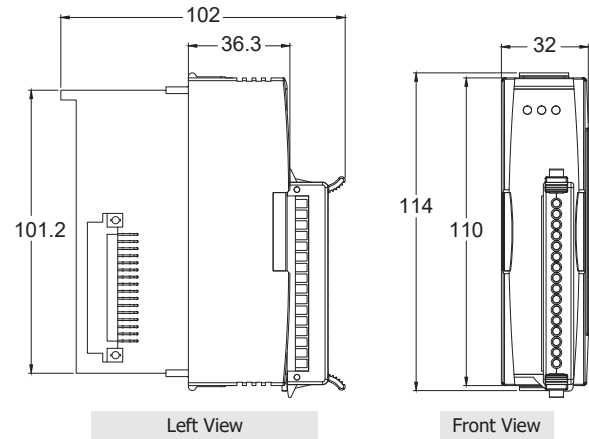
### Features

- 4/8 Channel Voltage/Current Output
- Source Current Output Wiring
- Individual Channel Configuration
- Short Circuit Protection
- Power-on Value
- Safe Value
- 4 kV ESD Protection
- 2500 VDC Intra-module Isolation



### Dimensions (Units: mm)

#### I-8024UW/I-8028UW

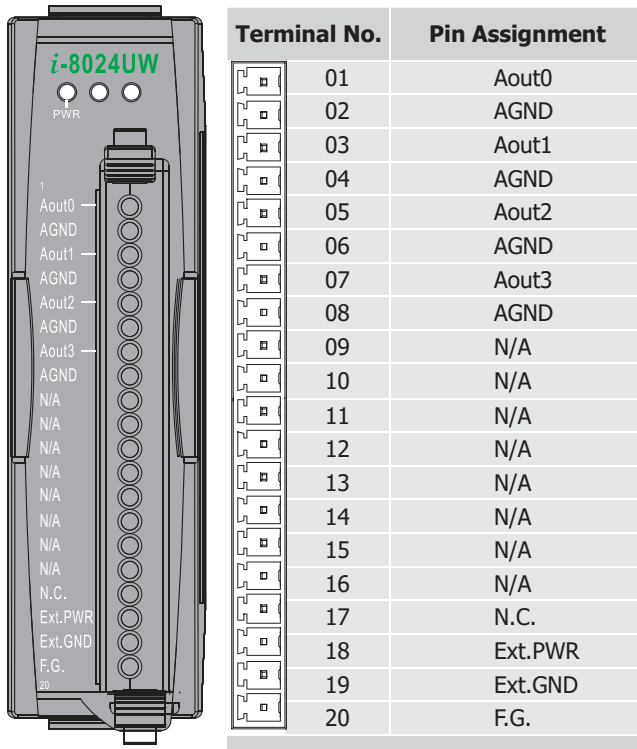


### I/O Specifications

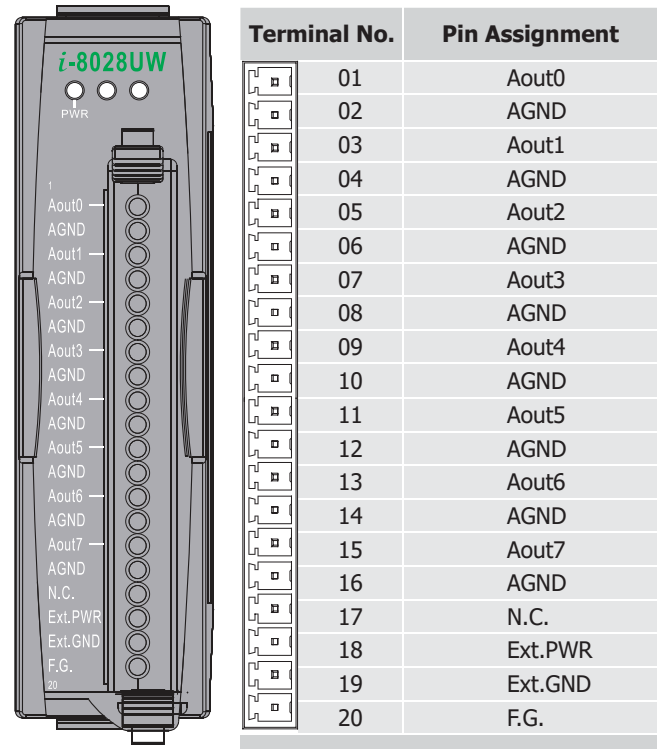
| Model                       | I-8024UW  | I-8028UW |
|-----------------------------|---|----------|
| <b>Analog Output</b>        |   |          |
| Channels                    | 4   | 8        |
| Current Output Wiring       | Source  |          |
| Resolution                  | 16-bit  |          |
| Range                       | 0 ~ +5 VDC, ±5 VDC, 0 ~ +10 VDC, ±10 VDC, 0 ~ +20 mA, +4 ~ +20 mA |          |
| Accuracy                    | ±0.02% of FSR   |          |
| Zero Drift                  | ±0.2 μV/°C  |          |
| Span Drift                  | ±25 ppm/°C  |          |
| Short Circuit Protection    | Yes   |          |
| Response Time               | 105 us per channel  |          |
| Programmable Output Slope   | Voltage: 0.5 V/us<br>Current: 0.024 mA/us                         |          |
| Power-on Value              | Yes   |          |
| Safe Value                  | Yes   |          |
| <b>Isolation</b>            |   |          |
| Reverse Polarity Protection | Yes   |          |
| Powered from Terminal Block | 15 ~ 30 VDC   |          |
| Isolation                   | 3000 VDC  |          |

## Pin Assignments

### I-8024U

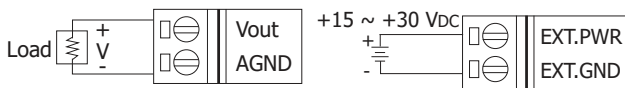


### I-8028U

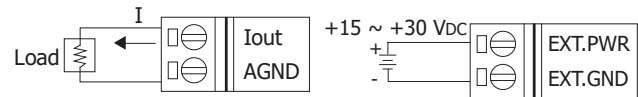


## Wire Connections

### Voltage Output Wiring

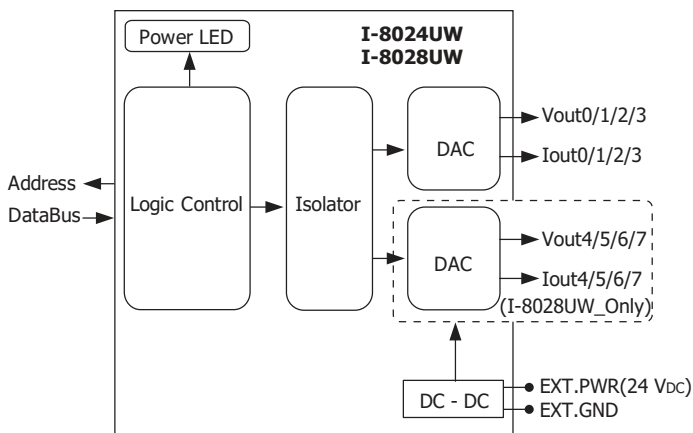


### Current Output Wiring



## Internal I/O Structure

### I-8024UW/I-8028UW



## Accessories



### SG-770 CR

7-channel Differential or 14-channel Single-ended Surge Protector (RoHS)

## Ordering Information

|                    |  |
|--------------------|--|
| <b>I-8024UW CR</b> | 4-channel Isolated Analog Output Module (RoHS) |
| <b>I-8028UW CR</b> | 8-channel Isolated Analog Output Module (RoHS) |