



WP-5231M-CE7

Standard PAC with Cortex-A8 CPU, WinCE 7.0, 1 I/O Bus, Matel Case

Features

- Cortex-A8, 1 GHz CPU
- Windows CE 7.0
- 512 MB SDRAM and 256 MB Flash
- 64 KB FRAM memory for data retention
- Hard Real-Time Capability (RTC)
- I/O Expansion Bus
- 10/100/1000M Ethernet Ports
- 4 Serial Ports (RS-232/485)
- Operating Temperature: -25 to +75 ° C



Introduction

The WP-5231M-CE7 is equipped with a Cortex-A8 CPU (1 GHz) running a Linux operating system (Linux Kernel 3.2.14), a variant of input/output ports (VGA, USB, Ethernet, RS-232/485), and powerful software including development tools. Linux Kernel 3.2.14 is a compact and real-time OS used to quickly create time critical and high performance applications.

Main advantage of the WP-5231M-CE7 is its high quality control system, including its stability, small core size, optional I/O expansion board, support for Web services (Web/SFTP/SSH server). Using the built-in Flash and microSD, the LinPAC can save application program, image file and data.

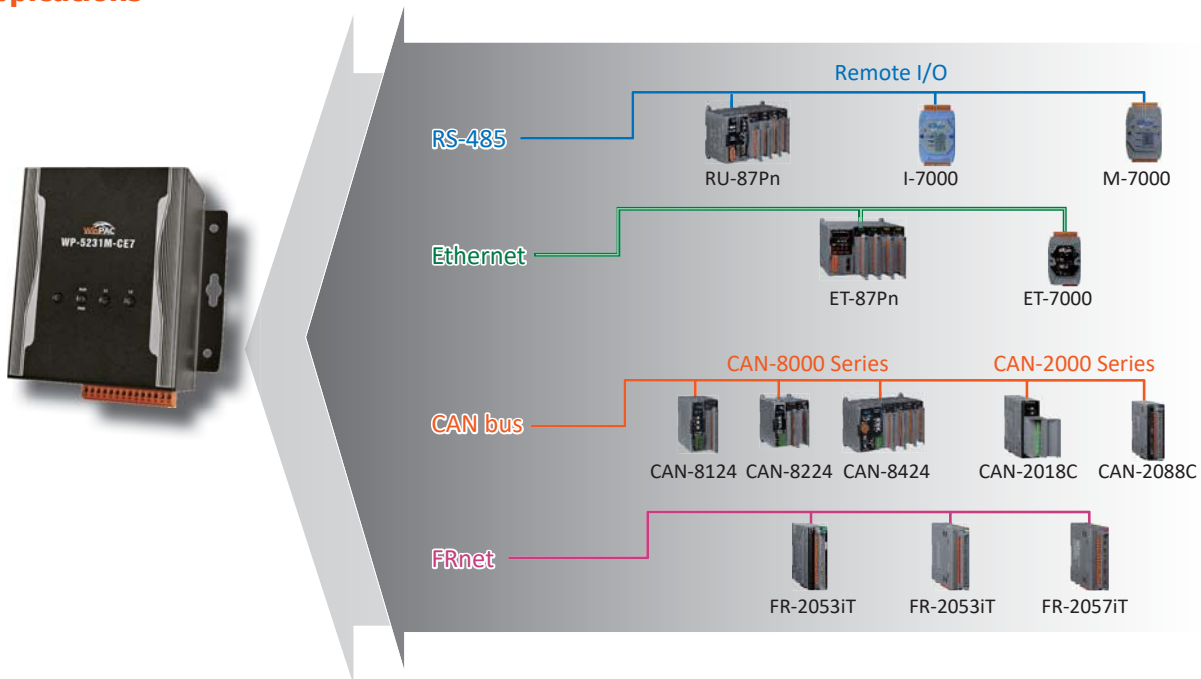
Windows CE 7.0



Windows CE 7.0 is a compact and real-time OS used to quickly create time critical and high performance applications. Using Windows CE 7.0 gives an ability to run PC-based control software such as Visual Basic .NET, Virtual C#.

- FTP Server
- Web Server
- SQL Compact Edition 3.5
- .NET Compact Framework 3.5
- Virtual CE Pro (VCEP)

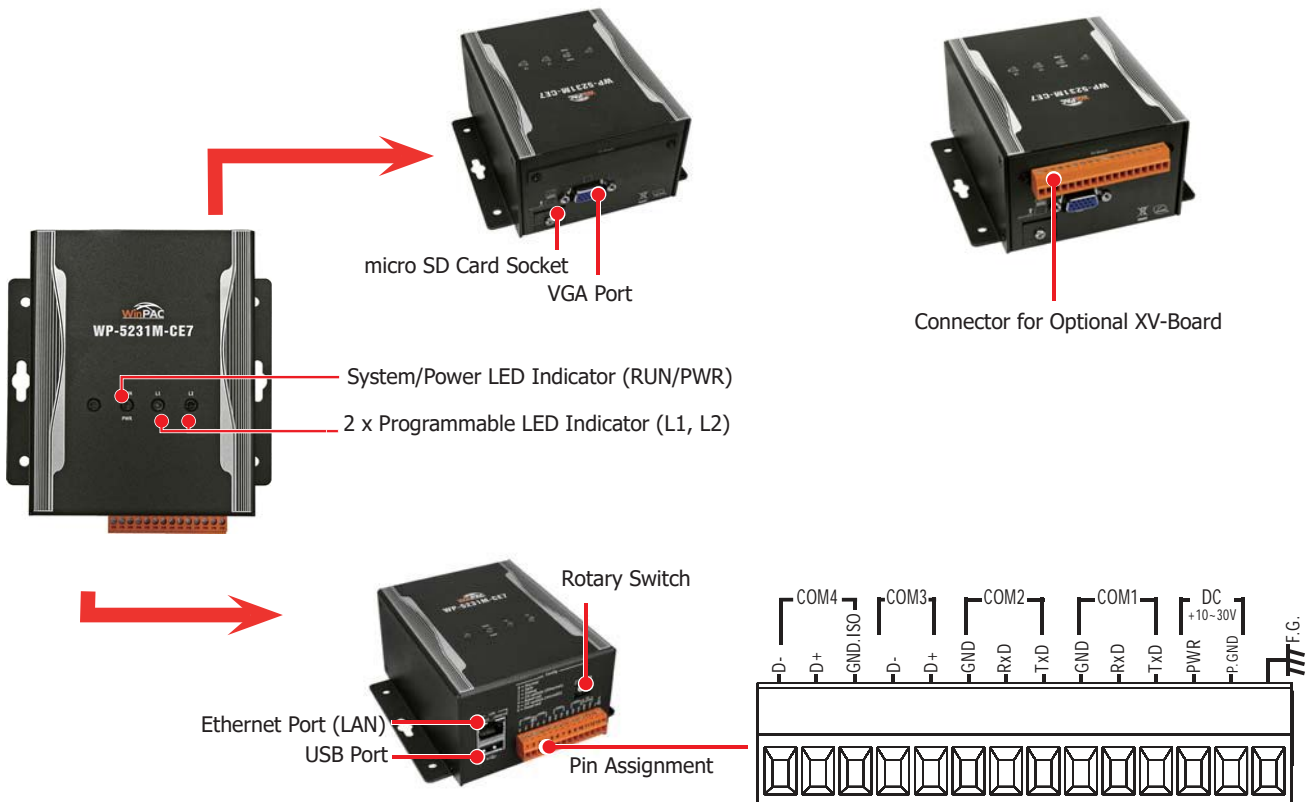
Applications



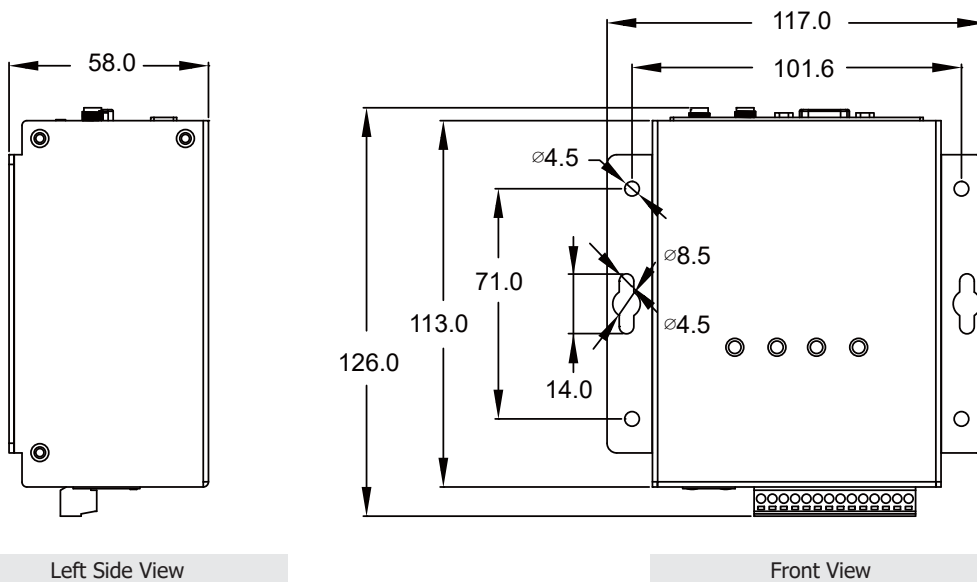
Specifications

| | |
|-------------------------------|---|
| Model | WP-5231M-CE7 |
| System Software | |
| OS | Windows CE 7.0 Professional |
| Framework Support | .Net Compact Framework 3.5 |
| Service | FTP Server, Web Server (Supports VB script, JAVA script), Embedded SQL Server |
| SDK | Dll for VC, Dll for Visual Studio.Net 2008 |
| Multilanguage Support | English, German, French, Spanish, Russian, Italian, Korean, Simplified Chinese, Traditional Chinese |
| CPU Module | |
| CPU | Cortex-A8, 1.0 GHz |
| SDRAM | 512 MB DDR3 |
| Flash | 256 MB |
| FRAM | 64 KB |
| Storage | 4 GB microSD card (up to 32 GB) |
| RTC (Real Time Clock) | Provide seconds, minutes, hours, dates, day of week, month, year |
| 64-bit Hardware Serial Number | Yes, for software copy protection |
| Watchdog Timer | Dual Watchdog Timer |
| Rotary Switch | 1 x 10 Position (0 ~ 9) |
| Buzzer | Yes |
| Display | |
| VGA Resolution | 640 × 480, 800 × 480, 800 × 600, 1024 × 768 |
| LED Indicators | 1 x System/Power, 2 x Programmable |
| Communication Ports | |
| Ethernet | 1 x RJ-45, 10/100/1000 Base-TX (Auto-negotiating, Auto MDI/MDI-X, LED indicators) |
| USB 2.0 (host) | 1 |
| COM 1 | RS-232 (RxD, TxD, and GND); Non-isolated |
| COM 2 | RS-232 (RxD, TxD, and GND); Non-isolated |
| COM 3 | RS-485 (Data+, Data-); Non-isolated |
| COM 4 | RS-485 (Data+, Data-); 2500 VDC isolated |
| I/O Expansion | |
| I/O Expansion Bus | One optional XV-board |
| Mechanical | |
| Casing | Metal |
| Dimensions (W x L x H) | 117 mm x 126 mm x 58 mm |
| Ingress Protection Rating | IP30 (Aluminum) |
| Installation | DIN-Rail, Wall mounting |
| Environmental | |
| Operating Temperature | -25 ~ +75 °C |
| Storage Temperature | -40 ~ +80 °C |
| Humidity | 10 ~ 90 % RH, Non-condensing |
| Power | |
| Input Range | +12 ~ 48 VDC |
| Consumption | 4.8 W (0.2 A @ 24 VDC) |

Appearances



Dimensions (Units: mm)



Ordering Information

| | |
|------------------------|---|
| WP-5231M-CE7 CR | Standard PAC with Cortex-A8 CPU, WinCE 7.0 OS, 1 I/O Bus, Metal Case (RoHS) |
|------------------------|---|

Accessories

| | |
|-----------------|----------------------------|
| XV-Board | Add-on I/O Expansion Board |
|-----------------|----------------------------|