



### Features

- ISM 2.4 GHz Operating Frequency
- Fully Compliant with 2.4 G (IEEE802.15.4/ZigBee Specifications)
- Fully Compliant with ZigBee Pro (ZigBee 2007)
- Wireless Transmission Range up to 700 m (Default)
- Fully External Switch for the Hardware Configuration
- Adjustable RF Transmission Output Power
- Supports AES-128 Encryption for the Wireless Communication
- Surge and ESD Protection
- DIN-Rail Mountable



### Introduction

ZT-2530M is a ZigBee Bridge used to connect two different ZigBee networks. The absorption of wireless signals by buildings and other obstacles in the urban environments significantly impair wireless transmission. Therefore, ICP DAS provides the new ZT-2530M - the ZigBee bridge, which is equipped with dual antennas and combined a ZigBee coordinator with a ZigBee router. It can be full hardware configuration, and be used to bridge the communication between indoor and outdoor units or divide complex network to enhance efficiency.

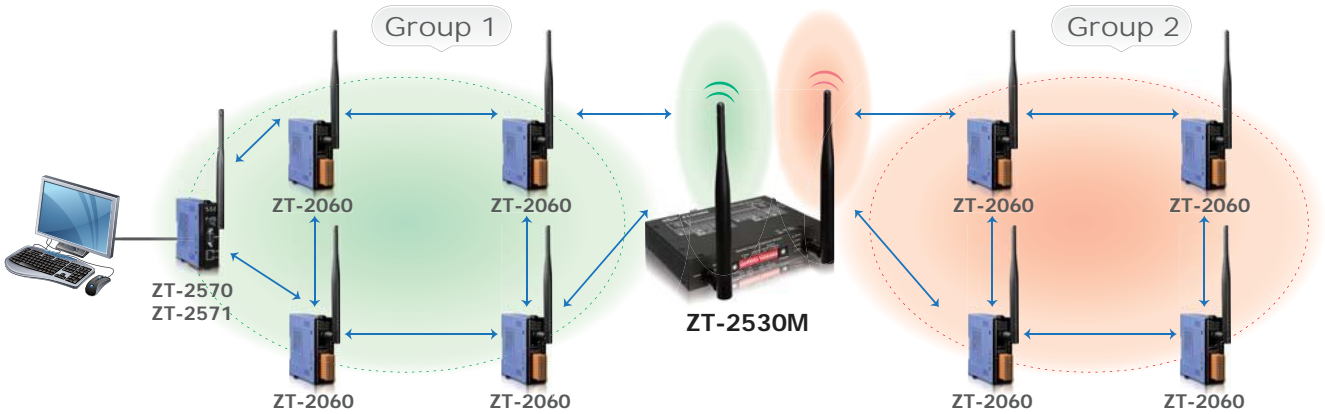
The ICP DAS ZigBee products are designed primarily to help users to build a wireless communication system in an environment where it is hard to physically wire up the devices. They are widely used in industrial control, embedded sensing, medical data collection, smoke and intruder warning, building automation, home automation and so on.

### Specifications

Models	ZT-2530M
<b>Wireless</b>	
Wireless Standards	ZigBee 2007 Pro
ZigBee Type	ZigBee Router + ZigBee Coordinator
RF Channel	16
RF Transmit Power	11 dBm
Antenna	2.4 GHz - 5 dBi Omni-directional Antenna x 2
Transmit Range (LOS)	700 m (Typical)
EMI Certification	CE/FCC, FCC ID
Max. Slaves Supported	255
<b>Hardware</b>	
LED Indicators	ZigBee Power
	ZigBee Net
	ZigBee TxD
	ZigBee RxD
<b>Power</b>	
Protection	Power Reverse Polarity Protection
EMS Protection	ESD, Surge, EFT
Required Supply Voltage	+10 VDC ~ +30 VDC
Power Consumption	1 W (Max.)
<b>Mechanical</b>	
Casing	Metal
Dimensions (L × W × H)	125 mm × 30 mm × 160 mm
Installation	DIN-Rail
<b>Environment</b>	
Operating Temperature	-25 ~ +75°C
Storage Temperature	-30 ~ +80°C
Relative Humidity	10 ~ 90% RH, Non-condensing

## Applications

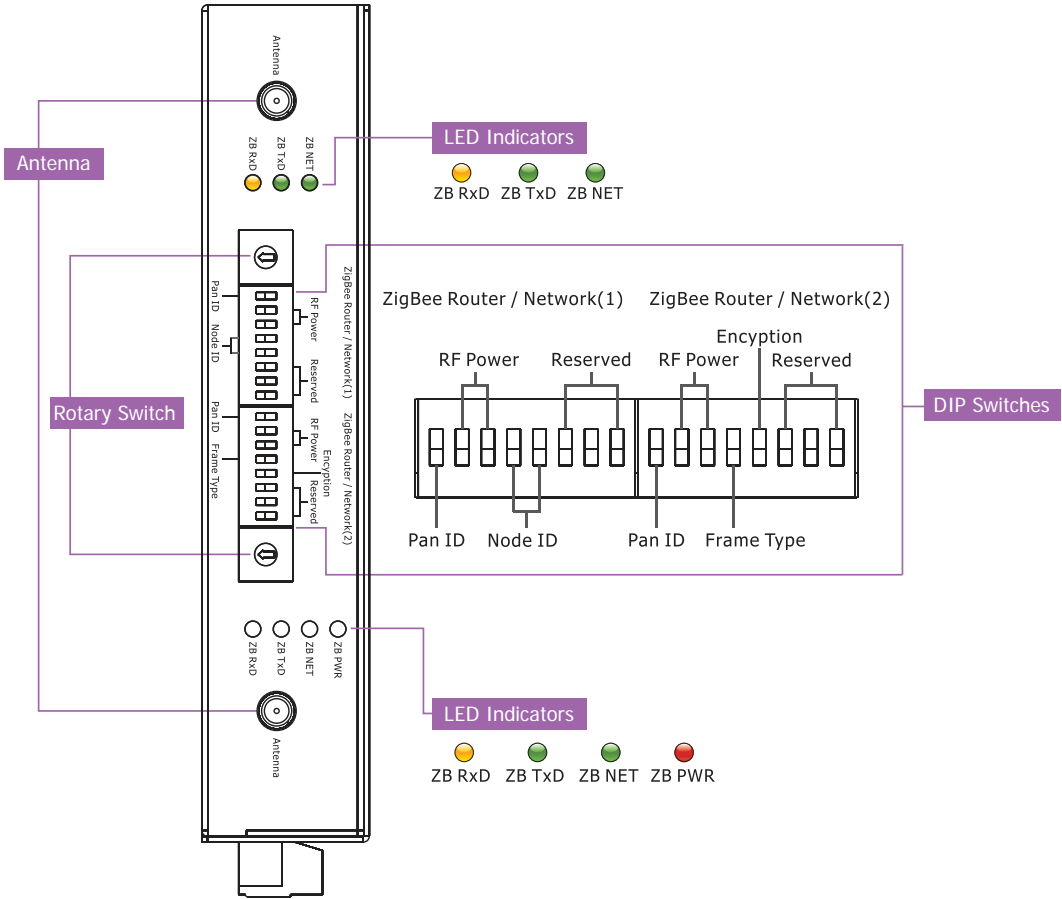
### Switching RF Channel



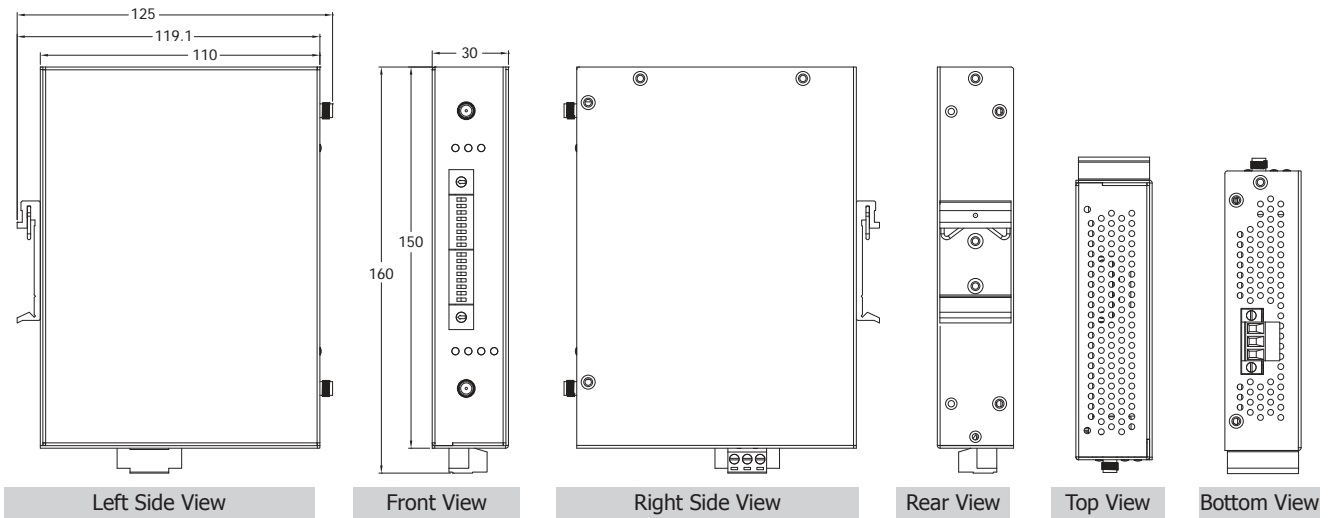
### Indoor/Outdoor Communication



### Appearance



### Dimensions (Units: mm)



### Ordering Information

ZT-2530M CR	ZigBee Bridge Module (ZigBee Coordinator and ZigBee Router) (RoHS)
-------------	--

### Accessories

ZT-2000 Series	ZigBee Converter, Repeater, Digital I/O, Analog I/O and Pair-connection Modules
Power Supply	12 V/24 V
External Antenna	RPSMA Male (Plug)/ 2.4 ~ 2.5 GHz Antenna
Extension Cable	3S00x-1, RG58A/U x Meter Long RP-SMA male to RP-SMA Female