



## XV111

16-ch Isolated DO (3.5 ~ 50VDC) Expansion Board

### Features

- Sink-type Digital Output
- Configurable Power-on Value Settings
- Overvoltage Protection for Digital Output
- Short-circuit Protection for Digital Output



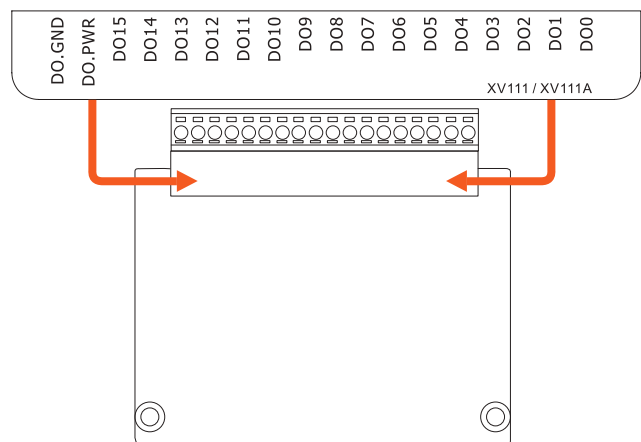
### Introduction

The XV111 provides 16 channels for digital output, each of which features photocouple isolation. The XV111 supports sink-type output with short circuit protection and provides options for configuring power-on digital output values. 4 kV ESD protection and 3750 VDC intra-module isolation are also provided. The XV111A has the same specifications as the XV111, except that the output types are reversed.

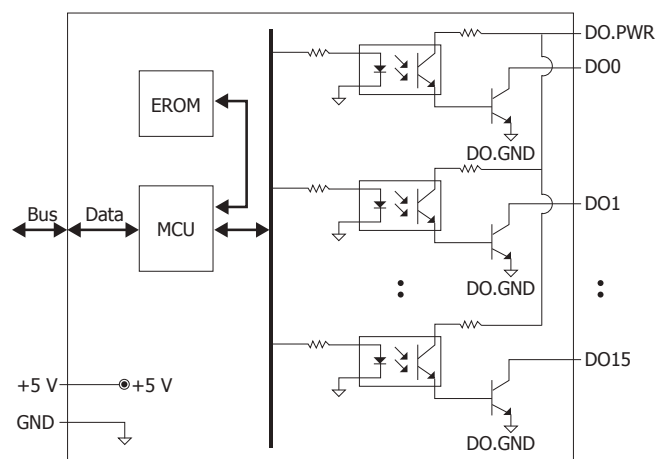
### Specifications

Isolation	
Intra-module Isolation	3750 VDC
EMS Protection	
ESD (IEC 61000-4-2)	±4 kV Contact For Each Terminal
	±8 kV Air For Random Terminal
Digital Output	
Channels	16
Type	Sink
Load Voltage	3.5 ~ 50 VDC
Max. Load Current	600 mA/channel
Overvoltage Protection	60 VDC
Overload Protection	Yes
Short-Circuit Protection	Yes
Power on Value	Yes, Programmable
COM Ports	
Ports	1 x RS-232
Baud Rate	115200 bps
Data Format	N, 8, 1
Protocol	Modbus/RTU
Power	
Consumption	0.2 W Max.
Powered from Terminal Block	5 VDC
Mechanical	
Dimensions (mm)	59 mm x 82 mm x 13 mm (W x L x H)
Mechanical	
Operating Temperature	-25 ~ +75 °C
Storage Temperature	-30 ~ +80 °C
Humidity	10 ~ 90% RH, Non-condensing





### Pin Assignments



### Internal I/O Structure



## Wire Connections

Output Type	Readback as 1	Readback as 0
Drive Relay		
Resistance Load		

## Ordering Information

<b>XV111 CR</b>	16-ch Isolated DO (Sink, NPN, 3.5 ~ 50 VDC) Expansion Board (RoHS)
-----------------	--