



## USB-2051

USB I/O Module with  
Isolated 16-ch DI



## USB-2051-32

USB I/O Module with  
Isolated 32-ch DI

### Features

- 16/32-ch digital input
- Dry Contact and Wet Contact Selectable via Wire Connections
- All Channels can be used as 16/32-bit Counters
- PWR/RUN/ERR LED indicators
- 2500/3000 VDC Intra-Module isolation
- Lockable USB cable
- USB 1.1/2.0 Full-Speed (12 Mbps)
- No external power supply (USB Bus Powered)
- Plug-and-Play without driver
- Support firmware update via USB
- Utility tool for module configuration and I/O testing easily and quickly
- Built-in dual watchdog (hardware/software)
- Provide API library (VC/VB/BCB/.NET)
- Module supported for Win2000/XP and Win 7,8,10 (32/64 bit)
- Wide operating temperature range: -25°C~+75°C



### Introduction

The USB-2051 and USB-2051-32 are full-speed USB device with 16 or 32 digital input channels module, and offers features for industrial control and manufacturing test applications, such as factory automation or embedded machine control. The USB-2051/USB-2051-32 offers 16/32 channels for digital input, catering for both dry and wet contact, with an effective distance for dry contact of up to 500 meters. All channels not only feature photocouple isolation, but can also be used as 16/32-bit counters. The USB-2051/USB-201-32 has 16/32 LED indicators that can be used to monitor the status of the digital input channels. 4 kV ESD protection and 3750 VDC intra-module isolation are standard. With the true Plug & Play capability, it needs not opening up your computer chassis to install boards-just plug in the module, then get or set the data. Owing to another USB feature known as "hot-swapping", users do not even need to shut down and restart the system to attach or remove the USB-2051/USB-2051-32.

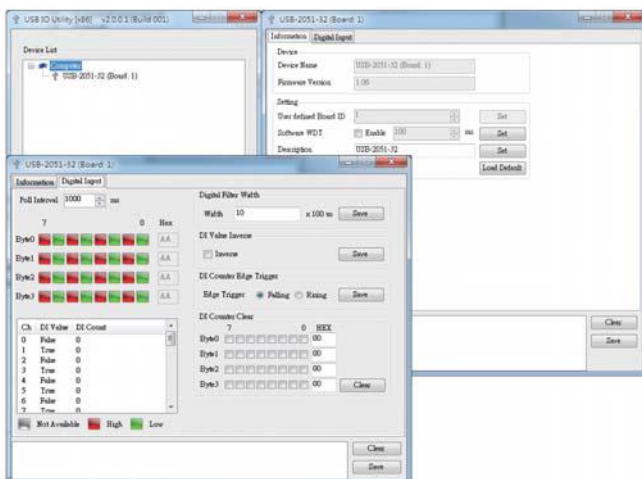
The USB I/O utility can help users to configure and test USB-2051/USB-2051-32 quickly and easily without programming; In addition, we also provide the friendly API library and demos for users to develop own USB application with various application development tools (VB/C++/C#.NET/VB.NET). Therefore, the USB-2051/USB-2051-32 is the perfect way to add control capability to any USB capable computer.

### Software

#### USB I/O Utility

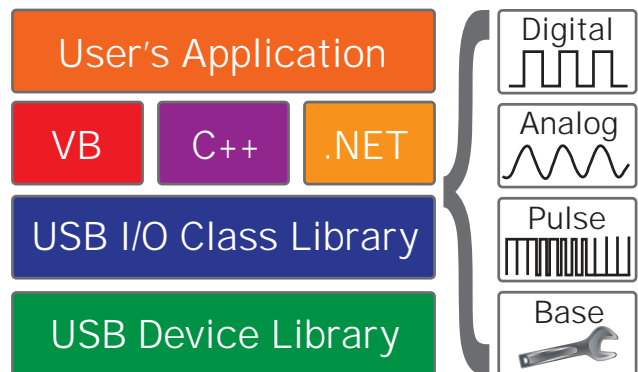
USB I/O Utility provides a simple way to easily test and instant acquire data for all ICP DAS USB I/O series modules without programming.

- Automatically scan all ICP DAS USB I/O modules
- Easily and quickly configure and test USB I/O modules
- Completely and precisely log I/O data for analysis



#### VB/C++/C#.NET/VB.NET SDK

ICP DAS provides a SDK for USB I/O modules to help user to develop own project easily and quickly. The SDK can be supported in VB/C++/C#.NET/VB.NET to fulfill project development.



### Applications

- Building automation
- Machine automation
- Factory automation
- Testing equipment

## System Specifications

Model	USB-2051	USB-2051-32
<b>USB</b>		
Specification	USB 2.0 Full-Speed (12Mbps)	
<b>CPU Module</b>		
Watchdog Timer	1 Hardware watchdog (1.6 second) 1 Software watchdog (Programmable)	
<b>EMS Protection</b>		
ESD (IEC 61000-4-2)	4 kV contact for each terminal 8 kV air for random point	
<b>LED Indicators</b>		
Status	3 x Power and Communication 16 x Digital Input      32 x Digital Input	
<b>Power</b>		
Consumption	1.2 W	1.6 W
<b>Mechanical</b>		
Dimensions (mm) (W x L x H)	33 x 110 x 96	31 x 147 x 126
<b>Environmental</b>		
Operating Temperature	-25 ~ +75 °C	
Storage Temperature	-40 ~ +85 °C	
Humidity	10 ~ 95% RH, Non-condensing	

## I/O Specifications

Model	USB-2051	USB-2051-32
<b>Digital Input/Counter</b>		
Channels	16	32
Type	Dry Contact, Source Wet Contact, Sink/Source	
Wet Contact	ON Voltage Level	+10 VDC ~ +50 VDC
	OFF Voltage Level	+4 VDC Max.
Dry Contact	ON Voltage Level	Close to GND
	OFF Voltage Level	Open
	Effective Distance	500 meters Max.
Max. Counts	65535 (16-bit)	4294967295 (32-bit)
Frequency	500 Hz	
Min. Pulse Width	1 ms	
Input Impedance	10 KΩ	
Overvoltage Protection	70 VDC	

## Wire Connections

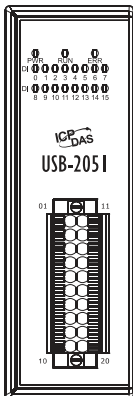
Input	ON	OFF
Dry Contact		
Wet Contact (Sink)		
Wet Contact (Source)		

## Ordering Information

<b>USB-2051 CR</b>	USB I/O Module with Isolated 16-ch DI (Dry, Wet) (RoHS) Includes CA-USB15 Cable (USB 2.0 A-Male to B-Male Cable, w/ Ferrite Core, 1.5 M)
<b>USB-2051-32 CR</b>	USB I/O Module with Isolated 32-ch DI (Dry, Wet) (RoHS) Includes CA-USB15 Cable (USB 2.0 A-Male to B-Male Cable, w/ Ferrite Core, 1.5 M)

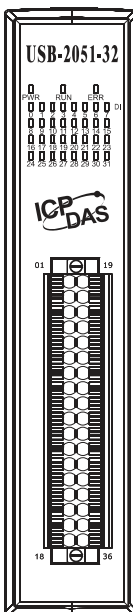
## Pin Assignments

**USB-2051**



Pin Assignment	Terminal No.	Pin Assignment
DI.GND	01	11 DI.GND
DI0	02	12 DI8
DI1	03	13 DI9
DI2	04	14 DI10
DI3	05	15 DI11
DI4	06	16 DI12
DI5	07	17 DI13
DI6	08	18 DI14
DI7	09	19 DI15
DI.COM	10	20 DI.COM

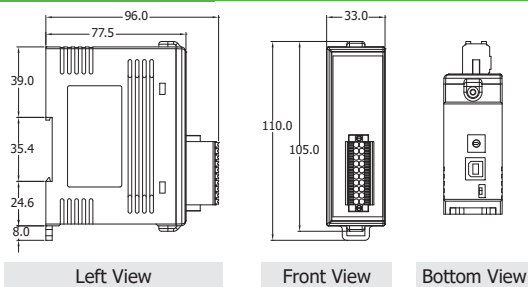
**USB-2051-32**



Pin Assignment	Terminal No.	Pin Assignment
DI.GND	01	19 DI.GND
DI0	02	20 DI16
DI1	03	21 DI17
DI2	04	22 DI18
DI3	05	23 DI19
DI4	06	24 DI20
DI5	07	25 DI21
DI6	08	26 DI22
DI7	09	27 DI23
DI8	10	28 DI24
DI9	11	29 DI25
DI10	12	30 DI26
DI11	13	31 DI27
DI12	14	32 DI28
DI13	15	33 DI29
DI14	16	34 DI30
DI15	17	35 DI31
DI.COM	18	36 DI.COM

## Dimensions (Units: mm)

**USB-2051**



**USB-2051-32**

