



## USB-2026

USB I/O Module with 5-ch AI, 2-ch AO,  
2-ch DI and 2-ch DO

### Features

- 16-ch digital input
- Dry Contact and Wet Contact Selectable via Wire Connections
- All Channels can be used as 32-bit Counters
- PWR/RUN/ERR LED indicators
- 3000 VDC Intra-Module isolation
- Lockable USB cable
- USB 1.1/2.0 Full-Speed (12 Mbps)
- No external power supply (USB Bus Powered)
- Plug-and-Play without driver
- Support firmware update via USB
- Utility tool for module configuration and I/O testing easily and quickly
- Built-in dual watchdog (hardware/software)
- Provide API library (VC/VB/BCB/.NET)
- Module supported for Win2000/XP and Win 7,8,10 (32/64 bit)
- Wide operating temperature range:-25°C~+75°C



### Introduction

The USB-2026 is a multifunction module that includes 5 analog input channels, 2 analog output channels, 2 digital input channels, 2 digital output channels and compatibles with USB 2.0 full-speed. It equips small size, portable, USB bus powered, various input type features to help user build up own project easily and quickly.

Compare with traditional PC I/O card, it is waste of time to open chassis and configure I/O board. In ICP DAS USB I/O, you will enjoy the simply controlling I/O in the efficient way. ICP DAS USB I/O equips USB bus powered feature, one cable to access I/O and provide power without additional power wiring. ICP DAS USB I/O is a small size module. You can use these I/O modules in wide range application, ex: fan-less control or measurement, automatically testing with BOX-PC...etc. ICP DAS USB I/O provides 10kS/s data acquisition functionality. User can apply this to real-time demanded application, ex: noise measurement.

The USB-2026 provides a programmable input range on all analog input ( $\pm 150$  mV,  $\pm 500$  mV,  $\pm 1$  V,  $\pm 5$  V,  $\pm 10$  V,  $\pm 20$  mA or  $0 \sim +20$  mA), analog outputs are 12-bit at  $\pm 5$  V,  $\pm 10$  V,  $0 \sim +20$  mA or  $+4 \sim +20$  mA and all digital outputs can be set as alarm output. Each analog input can be configured for an individual range and provides a high overvoltage protection of 240 Vrms.

### Applications

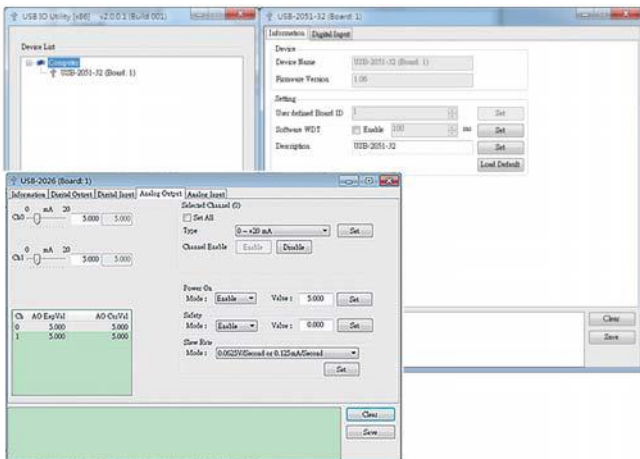
- Automation
- Machine automation
- Laboratory research

### Software

#### USB-2K Utility

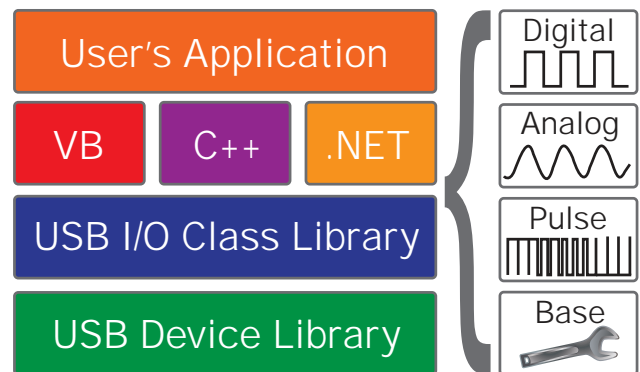
USB-2K Utility provides a simple way to easily test and instant acquire data for all ICP DAS USB IO series modules without programming.

- USB module configuration
- Log Data analysis
- I/O configuration
- Easy to test



#### VB/C++/C#.NET/VB.NET SDK

ICP DAS provides a SDK for USB I/O modules to help user to develop own project easily and quickly. The SDK can be supported in VB/C++/C#.NET/VB.NET to fulfill project development.



## System Specifications

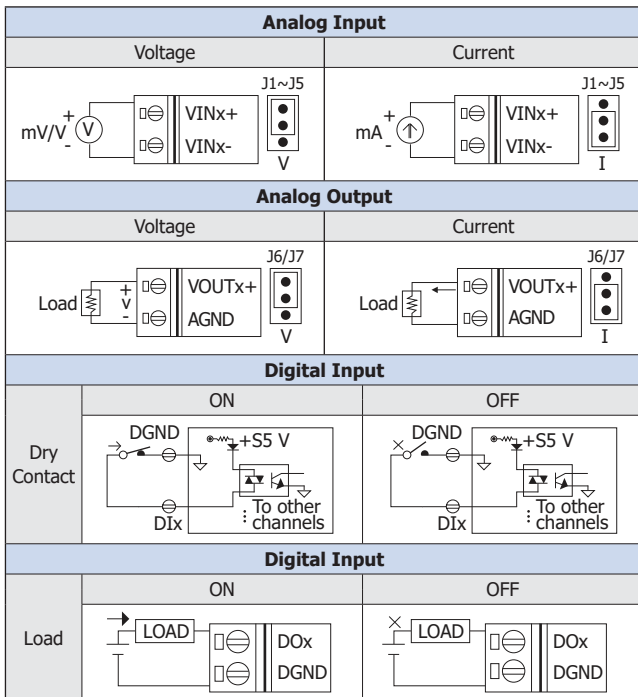
<b>USB</b>	
Specification	USB 2.0 Full-Speed (12Mbps)
<b>CPU Module</b>	
Watchdog Timer	1 Hardware watchdog (1.6 second) 1 Software watchdog (Programmable)
<b>EMS Protection</b>	
ESD (IEC 61000-4-2)	4 kV contact for each terminal 8 kV air for random point
<b>LED Indicators</b>	
Status	3 x Power and Communication
<b>Power</b>	
Consumption	2.2 W Max.
<b>Mechanical</b>	
Dimensions (mm)	33 x 110 x 96 (W x L x H)
<b>Environmental</b>	
Operating Temperature	-25 ~ +75 °C
Storage Temperature	-40 ~ +85 °C
Humidity	10 ~ 95% RH, Non-condensing

## Pin Assignments



Pin Assignment	Terminal No.	Pin Assignment
VIN0+	01	VIN0-
VIN1+	02	VIN1-
VIN2+	03	VIN2-
VIN3+	04	VIN3-
VIN4+	05	VIN4-
VOUT0+	06	AGND
VOUT1+	07	AGND
DI0	08	DI0
DI1	09	DI1
DGND	10	DGND

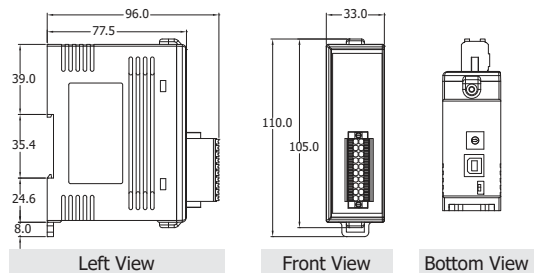
## Wire Connections



## I/O Specifications

<b>Analog Input</b>		
Channels	5 Differential	
Type	Voltage, Current	
Range	Voltage	±1 V, ±2.5 V, ±5 V, ±10 V
	Current	±20 mA, 0 ~ 20 mA, 4 ~ 20 mA
Resolution	Normal Mode	14-bit
	Fast Mode	12-bit
Accuracy	Normal Mode	±0.1% FSR
	Fast Mode	±0.5 % FSR
Sampling Rate	Normal Mode	10 Hz
	Fast Mode	200 Hz
Input Impedance	Voltage	20 MΩ
	Current	135 Ω
Overvoltage Protection	Voltage	120 VDC
	Current	N/A
Overcurrent Protection	Voltage	N/A
	Current	Yes, 50 mA at 110 VDC
Zero Drift		±20 μV/°C
Span Drift		±25 ppm/°C
<b>Analog Output</b>		
Channels	2	
Range	Voltage	+0 ~ +5 VDC, +0 ~ +10 VDC, ±5 VDC, ±10 VDC
	Current	+0 ~ +20 mA, +4 ~ +20 mA
Resolution		12-bit
Accuracy		±0.1% of FSR
Open Wire Detection		Yes, for 4 ~ 20 mA only
Voltage Output Capability		10 V @ 20 mA
Power on Value		Yes
Safe Value		Yes
<b>Digital Input/Counter</b>		
Channels	2	
Type		Dry Contact, Source
ON Voltage Level		Close to GND
OFF Voltage Level		Open
Max. Counts		4,294,967,285 (32-bit)
Frequency		100 Hz
Min. Pulse Width		10 ms
Input Impedance		10 KΩ, 0.5 W
Overvoltage Protection		±57 VDC
<b>Digital Output</b>		
Channels	2	
Type		Isolation Open Collector (Sink)
Load Voltage		+3.5 ~ +50 VDC
Max. Load Current		700 mA/Channel
Overvoltage Protection		±60 VDC
Overload Protection		1.4 A (with short-circuit protection)
Short-Circuit Protection		Yes
Power on Value		Yes, Programmable
Safe Value		Yes, Programmable

## Dimensions (Units: mm)



## Ordering Information

<b>USB-2026 CR</b>	USB I/O Module with 5-ch AI, 2-ch AO, 2-ch DI and 2-ch DO (RoHS) Includes CA-USB15 Cable (USB 2.0 A-Male to B-Male Cable, w/Ferrite Core, 1.5 M)
--------------------	---