



## I-87068W I-87068W-2A

4-channel Form A Relay Output and  
4-channel Form C Relay Output Module

### Introduction

The I-87068W provides 4 Form A power relay output channels and 4 Form C power relay output channels. The I-87068W-2A provides 4 Form A signal relay output channels and 4 Form C signal relay output channels. Both include 8 LED indicators for monitoring the relay output status and provide options for configuring power-on and safe digital output values. 4 kV ESD protection and 3750 Vdc intra-module isolation are also provided. The I-87068W is the ideal solution for high power applications and the I-87068W-2A is the ideal solution for small signal switching.

### System Specifications

Model	I-87068W	I-87068W-2A
<b>Communication</b>		
Interface	RS-485	
Format	N, 8, 1	
Baud Rate	1200 to 115200 bps	
Protocol	DCON	
Dual Watchdog	Yes, Module (1.6 Seconds), Communication (Programmable)	
<b>LED Indicators/Display</b>		
System LED Indicators	Yes, 1 as Power/Communication Indicator	
I/O LED Indicators	8 as Power Relay Output Indicators	
<b>Isolation</b>		
Intra-module Isolation, Field-to-Logic	3750 Vdc	2000 Vdc
<b>EMS Protection</b>		
ESD (IEC 61000-4-2)	±4 kV Contact for each Terminal	
	±8 kV Air for Random Point	
<b>Power</b>		
Power Consumption	2.1 W Max.	1.2 W Max.
<b>Mechanical</b>		
Dimensions (W × L × H)	30 mm × 115 mm × 102 mm	
<b>Environment</b>		
Operating Temperature	-25 to +75°C	
Storage Temperature	-40 to +85°C	
Humidity	10 to 95% RH, Non-condensing	

### Features

- Form A & Form C Relay Output
- Dual Watchdog
- Configurable Power-on Settings
- Configurable Safe Value Settings
- 4 kV ESD Protection



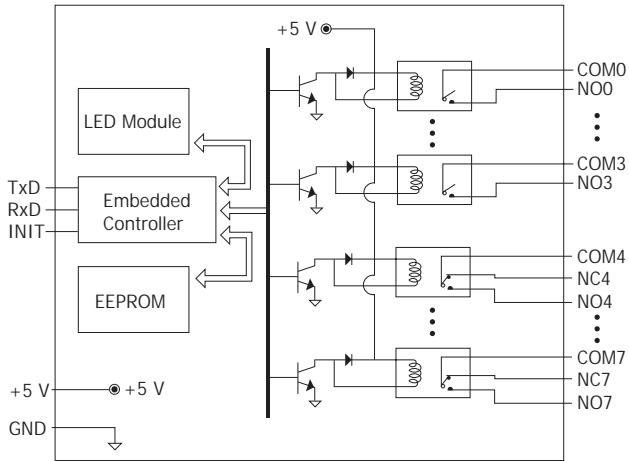
### Applications

- Building Automation
- Factory Automation
- Machine Automation
- Remote Maintenance
- Remote Diagnosis
- Testing Equipment

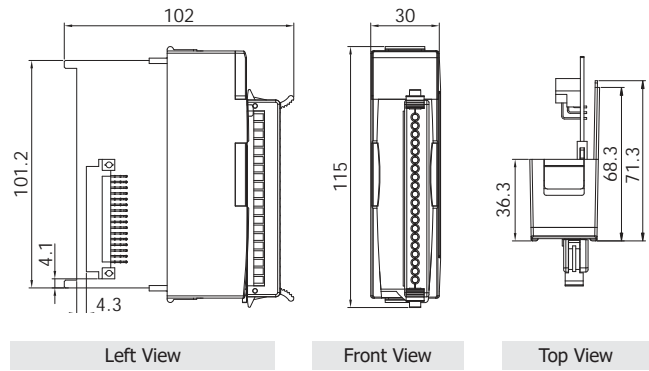
### I/O Specifications

Model	I-87068W	I-87068W-2A		
<b>Digital Output</b>				
Channels	8 (Form A × 4, Form C × 4)			
Type	Power Relay	Signal Relay		
Contact Material	Silver, Silver Alloy			
Form A	Contact Rating	Max. Load Current	8 A @ 28 VDC, 8 A @ 250 VAC	2 A @ 30 VDC 0.24 A @ 220 VDC 0.25 A @ 250 VAC
		Min. Load Current	100 mA @ 5 VDC	1 uA @ 100 uV
	Operate Time	15 ms (typical)	3 ms (typical)	
	Release Time	4 ms (typical)	4 ms (typical)	
Form C	Contact Rating	Max. Load Current	5 A (NO)/3 A (NC) @ 30 VDC 5 A (NO)/3 A (NC) @ 277 VAC	2 A @ 30 VDC 0.24 A @ 220 VDC 0.25 A @ 250 VAC
		Min. Load Current	100 mA @ 5 VDC	1 uA @ 100 uV
	Operate Time	10 ms (typical)	3 ms (typical)	
	Release Time	5 ms (typical)	4 ms (typical)	
Form A	Mechanical Endurance	10 <sup>7</sup> ops	10 <sup>8</sup> ops	
	Electrical Endurance	10 <sup>5</sup> ops	2*10 <sup>5</sup> ops	
Form C	Mechanical Endurance	10*10 <sup>6</sup> ops	10 <sup>8</sup> ops	
	Electrical Endurance	10 <sup>5</sup> ops	2*10 <sup>5</sup> ops	
Power-on Value	Yes			
Safe Value	Yes			

## Internal I/O Structure



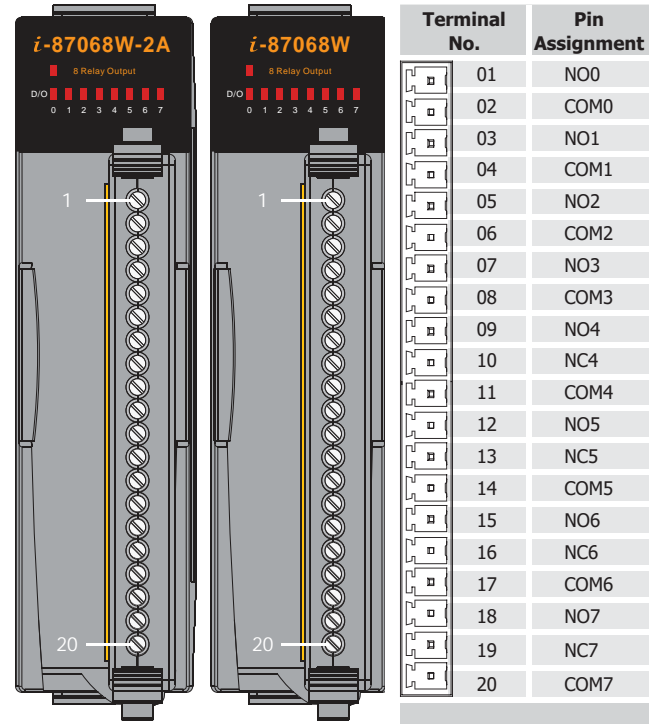
## Dimensions (Units: mm)



## Wire Connections

Output Type	ON State Readback as 1	OFF State Readback as 0
Form A Relay in RL0 ~ RL3		
Form C Relay in RL4 ~ RL7		

## Pin Assignments



## Ordering Information

<b>I-87068W-G CR</b>	4-channel Form A Power Relay Output and 4-channel Form C Power Relay Output Module (Gray Cover) (RoHS)
<b>I-87068W-2A-G CR</b>	4-channel Form A Signal Relay Output and 4-channel Form C Signal Relay Output Module (Gray Cover) (RoHS)