



I-87061W I-87061PW
16-channel Power Relay Output Module

Introduction

The I-87061PW is a 16-channel Power Relay Output module where each Relay Output channel is independent. The I-87061W is a 16-channel power relay output module with the output channels partitioned into four groups, where each group provides four channels that share a single COM point. Both the I-87061W and I-87061PW modules include 16 LED indicators that can be used to monitor the status of the relay output, and options for configuring both power-on and safe relay output values are also available. 4 kV ESD protection and 3750 Vdc intra-module isolation are provided as standard to enhance the noise protection capabilities in harsh industrial environments.

System Specifications

Model	I-87061W	I-87061PW
Communication		
Interface	RS-485	
Format	N, 8, 1	
Baud Rate	1200 to 115200 bps	
Protocol	DCON	
Dual Watchdog	Yes, Module (1.6 Seconds), Communication (Programmable)	
LED Indicators/Display		
System LED Indicators	Yes, 1 as Power/Communication Indicator	
I/O LED Indicators	Yes, 16 as Power Relay Output Indicators	
7-Segment LED Display	-	
Isolation		
Intra-module Isolation, Field-to-Logic	3750 VDC	
EMS Protection		
ESD (IEC 61000-4-2)	±4 kV Contact for each Terminal	
	±8 kV Air for Random Point	
Power		
Power Consumption	1.9 W Max.	
Mechanical		
Dimensions (W × L × H)	30 × 115 × 102 (mm)	30 × 114 × 110 (mm)
Environment		
Operating Temperature	-25 to +75°C	
Storage Temperature	-40 to +85°C	
Humidity	10 to 95% RH, Non-condensing	

Features

- I-87061W
 - 16-channel Power Relay Output partitioned into four groups, where each group provides four channels that share a single COM point.
- I-87061PW
 - The I-87061PW is a 16-channel Power Relay Output module where each Relay Output channel is independent.
- ±4 kV ESD Protection
- 3750 VDC Intra-module Isolation
- Configurable Power-on Value Settings
- Configurable Safe Value Settings
- Dual Watchdog



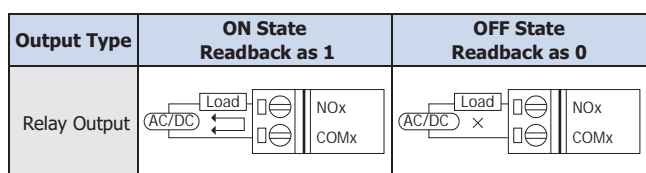
Applications

- Building Automation
- Factory Automation
- Machine Automation
- Remote Maintenance
- Remote Diagnosis
- Testing Equipment

I/O Specifications

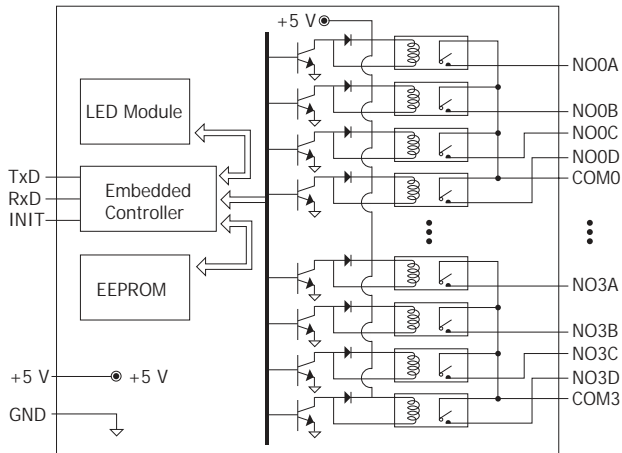
Model	I-87061W	I-87061PW
Relay Output		
Channels	16 (Form A)	
Type	Power Relay	
Wiring	Four groups, each group providing four channels that share a single COM point.	Differential
Form A Relay	Contact Rating	10 A @ 250 VAC/per Module COM point 10 A @ 24 Vdc/per Module COM point Max. Single Relay Load Current 5 A at 25°C
	Min. Contact Load	10 mA @ 5 V
	Contact Material	Silver Tin Alloy
	Operate Time	10 ms
	Release Time	5 ms
	Mechanical Endurance	2 × 10 ⁷ ops.
Electrical Endurance	1 × 10 ⁵ ops.	3 A @ 250 VAC/per Channel 3 A @ 24 Vdc/per Channel
Power-on Value	Yes	
Safe Value	Yes	

Wire Connections

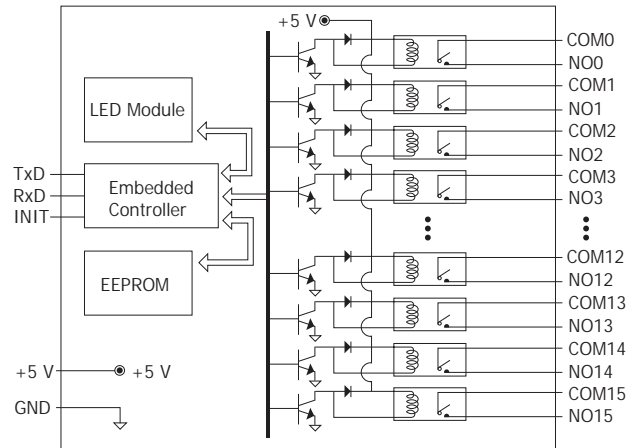


Internal I/O Structure

I-87061W

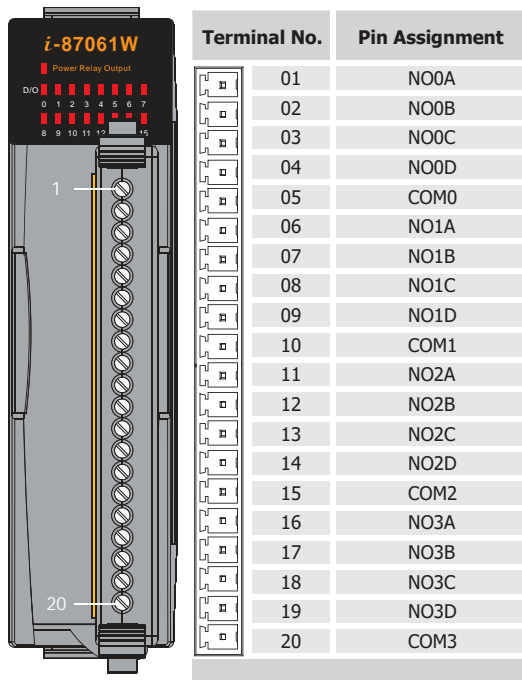


I-87061PW

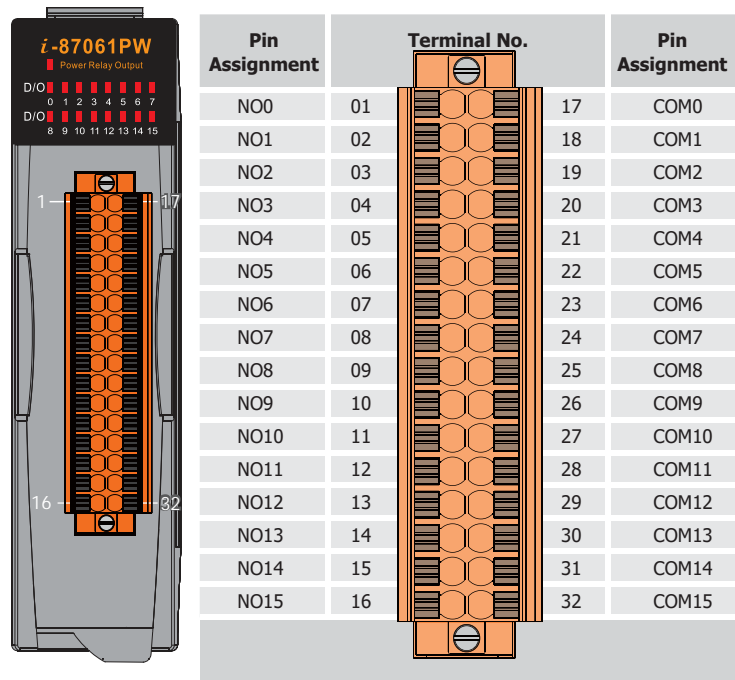


Pin Assignments

I-87061W

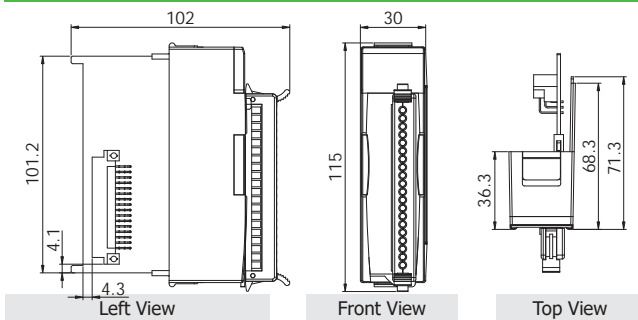


I-87061PW

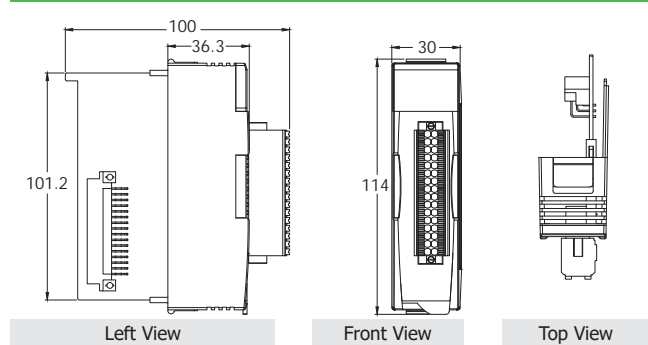


Dimensions (Units: mm)

I-87061W



I-87061PW



Ordering Information

I-87061W-G CR	16-channel Power Relay Output Module (4 groups, Each group provides 4-channels that share a single COM point) (Gray Cover) (RoHS)
I-87061PW-G CR	16-channel Power Relay Output Module (Each Relay Output Channel is Independent) (Gray Cover) (RoHS)