



## I-87013W-G

4-channel RTD Input Module

### Introduction

The I-87013W is a 4-channel RTD input module that is used for measuring temperature using RTD. The module supports 2/3/4-wire RTD sensor and features open wire detection. The I-87013W also provides 4 kV ESD protection and 3000 Vdc intra-module isolation.

### Applications

- Building Automation
- Factory Automation
- Machine Automation
- Remote Maintenance
- Remote Diagnosis
- Testing Equipment

### System Specifications

Communication	
Interface	RS-485
Format	N, 8, 1
Baud Rate	1200 to 115200 bps
Protocol	DCON
Dual Watchdog	Yes, Module (1.6 Seconds), Communication (Programmable)
LED Indicators/Display	
System LED Indicators	Yes, 1 as Power/Communication Indicator
I/O LED Indicators	8 as High/Low Alarm Signals
Isolation	
Intra-module Isolation, Field-to-Logic	3000 VDC
EMS Protection	
ESD (IEC 61000-4-2)	±4 kV Contact for each Terminal ±8 kV Air for Random Point
Power	
Power Consumption	0.8 W Max.
Mechanical	
Dimensions (L × W × H)	115 mm × 30 mm × 102 mm
Environment	
Operating Temperature	-25 to +75°C
Storage Temperature	-40 to +85°C
Humidity	10 to 95% RH, Non-condensing

### Features

- 4-channel RTD Input
- Open Wire Detection
- 4 kV ESD Protection
- 3000 VDC Intra-module Isolation
- RoHS Compliant
- Wide Operating Temperature Range: -25 to +75°C



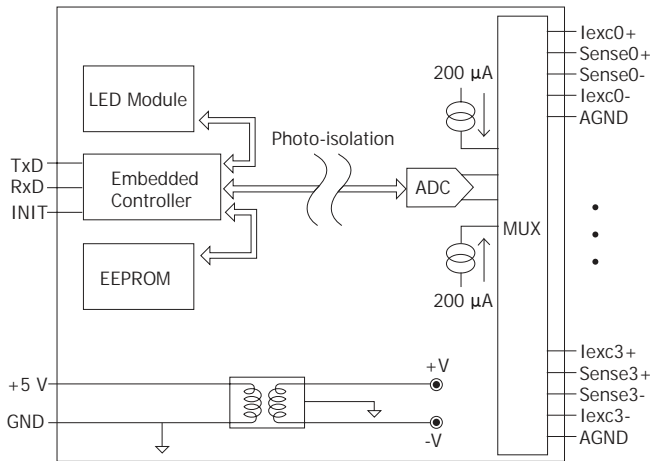
### I/O Specifications

Analog Input	
Channels	4
Wiring	2/3/4-wire
Sensor Type	Pt100, Pt1000, Cu50, Ni120
Resolution	16-bit
Accuracy	±0.1% of FSR
Sampling Rate	10 Hz (Total)
-3dB Bandwidth	15.7 Hz
Zero Drift	±0.5 µV/°C
Span Drift	±25 ppm/°C
Common Mode Rejection	150 dB min
Normal Mode Rejection	100 dB
Individual Channel Configuration	-
3-wire RTD Lead Resistance Elimination	Yes
Resistance Measurement	3.2 kΩ
Open Wire Detection	Yes
Overvoltage Protection	±25 VDC

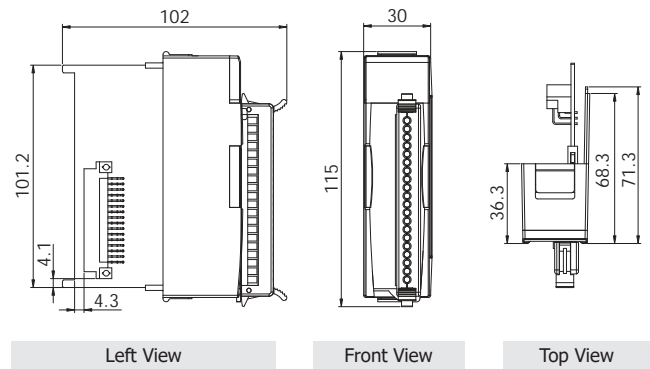
### RTD Type Settings (TT)

Type Code	RTD Type	Temperature Range
20	Platinum 100, α= 0.00385	-100 to +100°C
21	Platinum 100, α= 0.00385	0 to +100°C
22	Platinum 100, α= 0.00385	0 to +200°C
23	Platinum 100, α= 0.00385	0 to +600°C
24	Platinum 100, α= 0.003916	-100 to +100°C
25	Platinum 100, α= 0.003916	0 to +100°C
26	Platinum 100, α= 0.003916	0 to +200°C
27	Platinum 100, α= 0.003916	0 to +600°C
28	Nickel 120	-80 to +100°C
29	Nickel 120	0 to +100°C
2A	Platinum 1000, α= 0.00385	-200 to +600°C

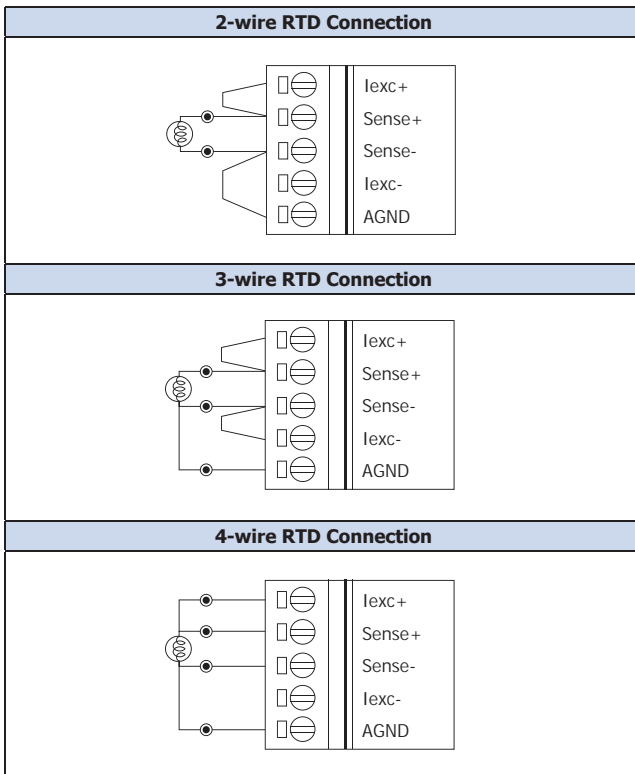
## Internal I/O Structure



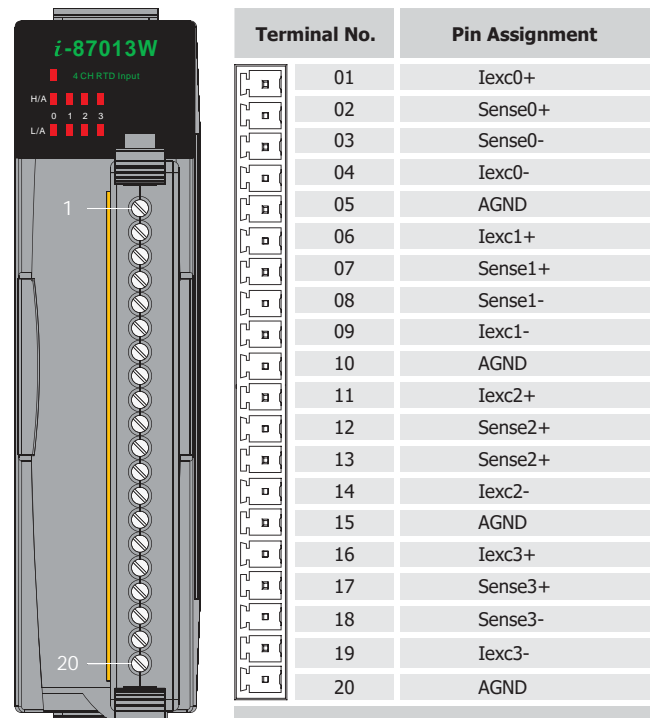
## Dimensions (Units: mm)



## Wire Connections




## Pin Assignments



## Ordering Information

<b>I-87013W-G CR</b>	4-channel RTD Input Module (Gray Cover) (RoHS)
----------------------	--

## Accessories

 <b>SG-770 CR</b>	7-channel Differential or 14-channel Single-ended Surge Protector (RoHS)
--	--