



ET-7042
ET-7042-UT
PET-7042

ET-7242
ET-7242-UT
PET-7242

Ethernet I/O Module with 16-channel DO

Features

- Built-in Web Server
- Web HMI
- Support for both Modbus TCP and Modbus UDP Protocols
- Communication Security
- 2-port Ethernet Switch for Daisy-Chain Topology
- Dual Watchdog
- Wide Operating Temperature Range
 - Standard Series: -25 ~ +75°C
 - UT Series: -40 ~ +75°C
- I/O Pair Connection
- Built-in I/O
 - DO: 16 Channels



Introduction

The ET-7042/PET-7042/ET-7242/PET-7242 provides 16 sink-type digital output channels. It features optical isolation for 3750 VDC of transient overvoltage protection and doesn't have channel-to-channel isolation. The power-on value and safe value of digital output channel are programmable. In some industrial applications, the user can connect the output channel of ET-7042/PET-7042/ET-7242/PET-7242 to the RM series relay module to switch inductive loads.

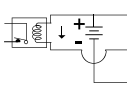
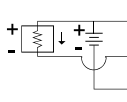
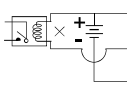
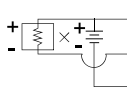
System Specifications

Model	ET-7042	PET-7042	ET-7242	PET-7242
Software				
Built-in Web Server			Yes	
Web HMI			Yes	
I/O Pair Connection			Yes	
Communication				
Ethernet Port	1 x RJ-45, 10/100 Base-TX		2 x RJ-45, 10/100 Base-TX, Switch Ports	
PoE	-	Yes	-	Yes
Protocol	Modbus TCP, Modbus UDP			
Security	ID, Password and IP Filter			
Dual Watchdog	Yes, Module (0.8 seconds), Communication (Programmable)			
LED Indicators				
for System Running			Yes	
for Ethernet Link/Act			Yes	
for DI/DO status	-	-		Yes
for PoE Power	-	Yes	-	Yes
2-Way Isolation				
Ethernet	1500 Vdc	-	1500 Vdc	-
I/O	2500 Vdc		3750 Vdc	
EMS Protection				
ESD (IEC 61000-4-2)	±4 kV Contact for Each Terminal and ±8 kV Air for Random Point			
EFT (IEC 61000-4-4)	±4 kV for Power Line			
Surge (IEC 61000-4-5)	±0.5 kV for Power Line		±2 kV for Power Line	
Power				
Reverse Polarity Protection	Yes			
Powered from Terminal Block	10 ~ 30 VDC	12 ~ 48 VDC	12 ~ 48 VDC	12 ~ 48 VDC
Powered from PoE	-	Yes, IEEE 802.3af, Class1	-	Yes, IEEE 802.3af, Class1
Consumption	2.7 W (Max.)	2.6 W (Max.)	3.2 W (Max.)	3.4 W (Max.)
Mechanical				
Dimensions (L x W x H)	123 mm x 72 mm x 35 mm		120 mm x 76 mm x 38 mm	
Installation	DIN-Rail or Wall Mounting			
Environment				
Operating Temperature	-25 to +75°C			
Storage Temperature	-30 to +80°C			
Humidity	10 to 90% RH, Non-condensing			

I/O Specifications

Model	ET-7042	PET-7042	ET-7242	PET-7242
Digital Output				
Channels	16			
Type	Isolated Open Collector			
Sink/Source (NPN/PNP)	Sink			
Max. Load Current	100 mA/channel at 25°C Direct Drive Power Relay Module		650 mA/channel at 25°C Direct Drive Power Relay Module	
Load Voltage	+5 VDC ~ +30 VDC		+ 3.5 VDC ~ + 50 VDC	
Overvoltage Protection	-	60 Vdc		
Overload Protection	-	1.3 A		
Short-circuit Protection	-	Yes		
Power-on Value	Yes, Programmable			
Safe Value	Yes, Programmable			

Wire Connections

Output Type	ON State Readback as 1			
Drive Relay	 <table border="1"> <tr><td>DO.PWR</td></tr> <tr><td>DOx</td></tr> <tr><td>DO.GND</td></tr> </table>	DO.PWR	DOx	DO.GND
DO.PWR				
DOx				
DO.GND				
Resistance Load	 <table border="1"> <tr><td>DO.PWR</td></tr> <tr><td>DOx</td></tr> <tr><td>DO.GND</td></tr> </table>	DO.PWR	DOx	DO.GND
DO.PWR				
DOx				
DO.GND				
Output Type	OFF State Readback as 0			
Drive Relay	 <table border="1"> <tr><td>DO.PWR</td></tr> <tr><td>DOx</td></tr> <tr><td>DO.GND</td></tr> </table>	DO.PWR	DOx	DO.GND
DO.PWR				
DOx				
DO.GND				
Resistance Load	 <table border="1"> <tr><td>DO.PWR</td></tr> <tr><td>DOx</td></tr> <tr><td>DO.GND</td></tr> </table>	DO.PWR	DOx	DO.GND
DO.PWR				
DOx				
DO.GND				

Ordering Information

ET-7042 CR	Ethernet I/O Module with 16-channel DO (RoHS), -25 to 75°C operating temperature
ET-7042-UT CR	Ethernet I/O Module with 16-channel DO (RoHS), -40 to 75°C operating temperature
PET-7072 CR	PoE Ethernet I/O Module with 16-channel DO (RoHS), -25 to 75°C operating temperature
ET-7242 CR	Ethernet I/O Module with 2-port Ethernet Switch, with 16-channel DO (RoHS), -25 to 75°C operating temperature
ET-7242-UT CR	Ethernet I/O Module with 2-port Ethernet Switch, with 16-channel DO (RoHS), -40 to 75°C operating temperature
PET-7242 CR	PoE Ethernet I/O Module with 2-port Ethernet Switch, with 16-channel DO (RoHS), -25 to 75°C operating temperature

Pin Assignments

