



ET-7258M-16
ET-7258M-16-UTA



PET-7258M-16
PET-7258M-16-UTA

Ethernet I/O Module with 2-port Ethernet Switch and 16-ch Isolated DI Module

Features

- Built-in Web Server
- Web HMI
- Support for both Modbus TCP and Modbus UDP Protocols
- Communication Security
- 2-port Ethernet Switch for Daisy-Chain Topology
- Dual Watchdog
- Wide Operating Temperature Range:
 - Standrd Series: -25 ~ +75°C
 - UTA Series: -40 ~ +75°C
- Built-in I/O
 - AC/DC Digital Input: 16 Channels



Introduction

The ET-7258M-16/PET-7258M-16 provides 16 AC/DC digital input channels. Each input channel can be used as a 32-bit counter. It features optical isolation for 2500 VDC of transient over voltage protection but doesn't provide channel-to-channel isolation. It can safely be used in applications where hazardous voltages are present.

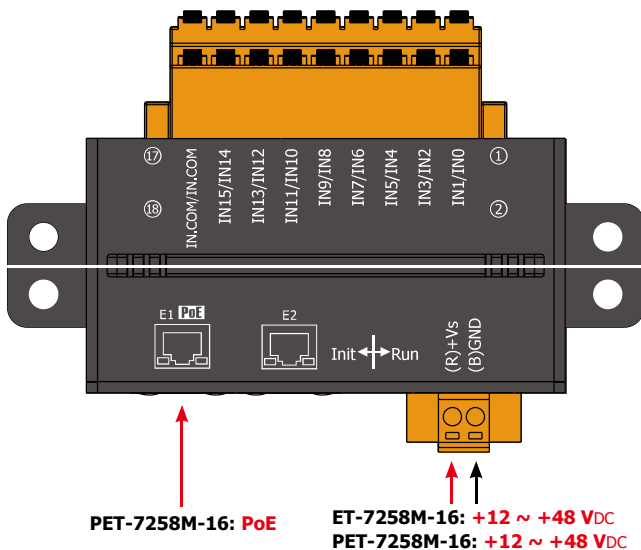
System Specifications

Model	ET-7258M-16	ET-7258M-16-UTA	PET-7258M-16	PET-7258M-16-UTA
Software				
Built-in Web Server			Yes	
Web HMI			Yes	
I/O Pair Connection			Yes	
Communication				
Ethernet Port	2 x RJ-45, 10/100 Base-TX, Switch Ports			
PoE	-			Yes
Protocol	Modbus TCP, Modbus UDP			
Security	ID, Password and IP Filter			
Dual Watchdog	Yes, Module (0.8 seconds), Communication (Programmable)			
LED Indicators				
for System Running			Yes	
for Ethernet Link/Act			Yes	
for DI/DO status			Yes	
for PoE Power	-			Yes
2-Way Isolation				
Ethernet	1500 VDC			-
I/O	2500 VDC			
EMS Protection				
ESD (IEC 61000-4-2)	±4 kV Contact for Each Terminal and ±8 kV Air for Random Point			
EFT (IEC 61000-4-4)	±4 kV for Power Line			
Power				
Reverse Polarity Protection	Yes			
Powered from Terminal Block	12 ~ 48 VDC			
Powered from PoE	-		Yes, IEEE 802.3af, Class1	
Consumption	2.8 W (Max.)		2.9 W (Max.)	
Mechanical				
Dimensions (W x L x H)	97 mm x 130 mm x 38 mm			
Installation	DIN-Rail or Wall Mounting			
Environment				
Operating Temperature	-25 ~ +75°C	-40 ~ +75°C	-25 ~ +75°C	-40 ~ +75°C
Storage Temperature	-30 ~ +80°C			
Humidity	10 to 90% RH, Non-condensing			

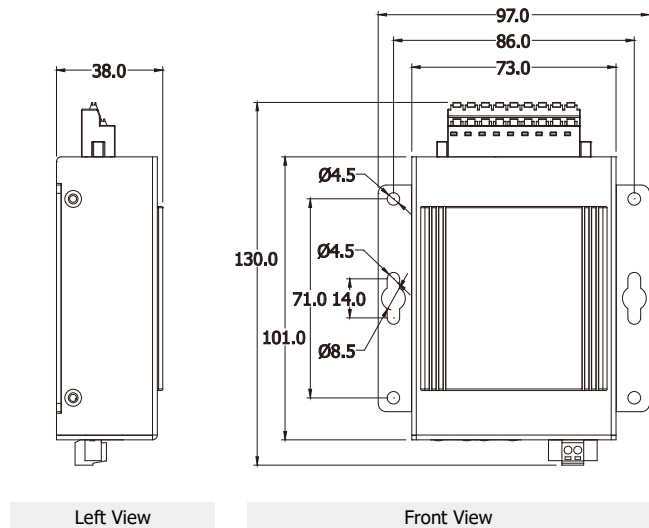
I/O Specifications

Model	ET-7258M-16	ET-7258M-16-UTA	PET-7258M-16	PET-7258M-16-UTA
AC Digital Input/Counter				
Channels	16			
Contact	Wet Contact			
Sink/Source (NPN/PNP)	Sink/Source			
On Voltage Level	80 VAC ~ 250 VAC			
	±100 VDC ~ ±250 VDC			
Off Voltage Level	30 VAC Max.			
	±30 VDC Max.			
Input Impedance	150 kΩ			
Counters	Max. Count	4,294,967,295 (32 bits)		
	Max. Input Frequency	100 Hz		
	Min. Pulse Width	5 ms		
Overvoltage Protection	300 VAC			

Pin Assignments



Dimensions (Units: mm)



Wire Connections

Digital Input/Counter	ON State Readback as 1 80 ~ 250 VAC	OFF State Readback as 0 OPEN or < 30 VAC Max.
AC Digital Input		
DC Digital Input	±100 ~ ±250 VDC	OPEN or < ±30 VDC Max.

Ordering Information

ET-7258M-16 CR	Ethernet I/O Module with 2-port Ethernet Switch, with 16-channel Digital Input (RoHS), -25 to 75°C Operating Temperature
PET-7258M-16 CR	PoE Ethernet I/O Module with 2-port Ethernet Switch, with 16-channel Digital Input (RoHS), -25 to 75°C Operating Temperature
ET-7258M-16-UTA CR	Ethernet I/O Module with 2-port Ethernet Switch, with 16-channel Digital Input (RoHS), -40 to 75°C Operating Temperature
PET-7258M-16-UTA CR	PoE Ethernet I/O Module with 2-port Ethernet Switch, with 16-channel Digital Input (RoHS), -40 to 75°C Operating Temperature