



ET-7245

PET-7245

Ethernet I/O Module with 16-channel DO

Features

- Built-in Web Server
- Web HMI
- Support for both Modbus TCP and Modbus UDP Protocols
- Communication Security
- 2-port Ethernet Switch for Daisy-Chain Topology
- Dual Watchdog
- Wide Operating Temperature Range
 - Standard Series: -25 ~ +75°C
- I/O Pair Connection
- Built-in I/O
 - Source-type DO: 16 Channels



Introduction

The ET-7245/PET-7245 provides 16 source-type digital output channels. It features optical isolation for 3750 Vdc of transient overvoltage protection and doesn't have channel-to-channel isolation. The power-on value and safe value of digital output channel are programmable. In some industrial applications, the user can connect the output channel of ET-7245/PET-7245 to the RM series relay module to switch inductive loads.

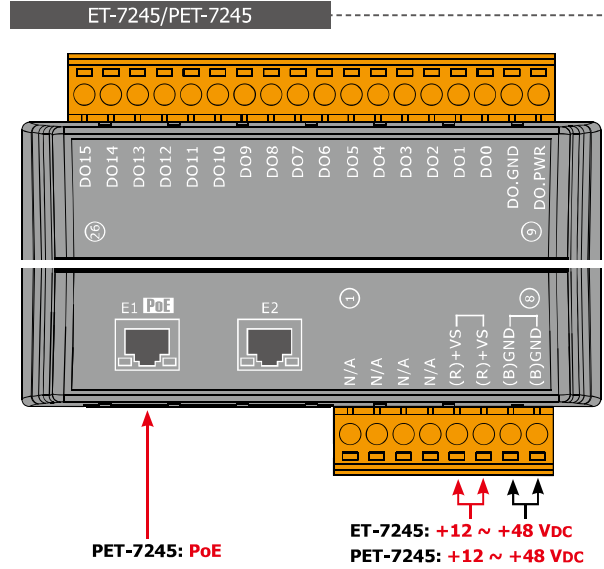
System Specifications

Model	ET-7245	PET-7245
Software		
Built-in Web Server		Yes
Web HMI		Yes
I/O Pair Connection		Yes
Communication		
Ethernet Port	2 x RJ-45, 10/100 Base-TX, Switch Ports	
PoE	-	Yes
Protocol	Modbus TCP, Modbus UDP	
Security	ID, Password and IP Filter	
Dual Watchdog	Yes, Module (0.8 seconds), Communication (Programmable)	
LED Indicators		
for System Running		Yes
for Ethernet Link/Act		Yes
for DI/DO status		Yes
for PoE Power	-	Yes
2-Way Isolation		
Ethernet	1500 Vdc	-
I/O	3750 VDC	
EMS Protection		
ESD (IEC 61000-4-2)	±4 kV Contact for Each Terminal and ±8 kV Air for Random Point	
EFT (IEC 61000-4-4)	±4 kV for Power Line	
Surge (IEC 61000-4-5)	±2 kV for Power Line	
Power		
Reverse Polarity Protection		Yes
Powered from Terminal Block	12 ~ 48 VDC	12 ~ 48 VDC
Powered from PoE	-	Yes, IEEE 802.3af, Class1
Consumption	3.0 W (Max.)	3.1 W (Max.)
Mechanical		
Dimensions (L x W x H)	120 mm x 76 mm x 38 mm	
Installation	DIN-Rail or Wall Mounting	
Environment		
Operating Temperature	-25 to +75°C	
Storage Temperature	-30 to +80°C	
Humidity	10 to 90% RH, Non-condensing	

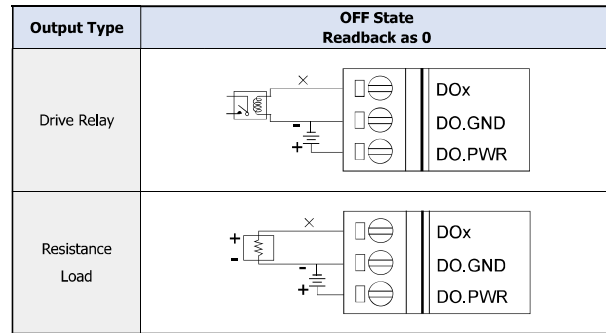
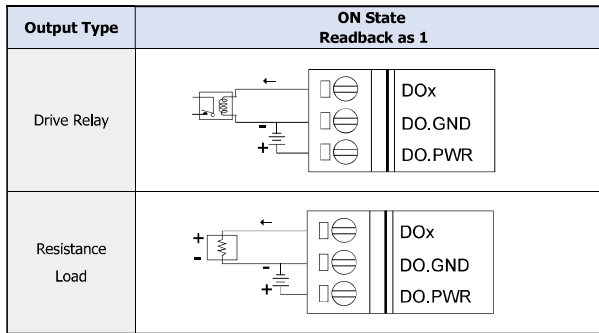
I/O Specifications

Model	ET-7245	PET-7245
Digital Output		
Channels	16	
Type	Isolated Open Source	
Sink/Source (NPN/PNP)	Source	
Max. Load Current	600 mA/channel	
Load Voltage	+ 10 Vdc ~ + 40 Vdc	
Overvoltage Protection	47 Vdc	
Overload Protection	1.4 A (with short-circuit protection)	
Short-circuit Protection	Yes	
Power-on Value	Yes, Programmable	
Safe Value	Yes, Programmable	

Pin Assignments



Wire Connections



Ordering Information

ET-7245 CR	Ethernet I/O Module with 2-port Ethernet Switch, with 16-channel Source-type DO (RoHS), -25 to 75°C operating temperature
PET-7245 CR	PoE Ethernet I/O Module with 2-port Ethernet Switch, with 16-channel Source-type DO (RoHS), -25 to 75°C operating temperature